



Project _____
 AIA # _____ SIS # _____
 Item # _____ Quantity _____ C.S.I. Section 114000



ALL ELECTRIC BLOWER-DRYER ACCESSORY For CLeN Series



For use with
 CLeN Series Dishwashers

STANDARD FEATURES

- + Stainless steel 33" long chamber
- + Positive forced circulation of high velocity heated air
- + Fits CLeN models
- + High velocity industrial type blower-dryer is quiet, giving truly high performance at a low sound level
- + 2 H.P. blower
- + 10 KW electric heat

OPTIONS & ACCESSORIES (Available at extra cost)

- DDU/BD-KITDOM – required when design includes both Hobart DDU38e Unloader & Hobart Blower Dryer; kit provides components necessary to join the conveyor between accessories

DIRECTION OF OPERATION

- Right to Left
- Left to Right

VOLTAGE

- 208/60/3
- 240/60/3
- 380/60/3
- 480/60/3
- 600/60/3
- 200/50/3
- 380-415/50/3

SPECIFIER STATEMENT

Designed to promote rapid drying of tableware and trays by forced circulation of high velocity heated air through the blower dryer. Heavy-duty direct drive industrial fan blows room air through electric heater and large area ducting. Heated air directed vertically downward to drying area through rectangular orifice covering full width of chamber. Baffles below conveyor redirect air upward within drying area and minimize heating of discharge table or hot air contact with clean-dish operator at end of machine. Any object which will pass through the machine will be handled at the dryer area without necessity of readjusting blower plenum upward or downward. Blower Dryers are not compatible with Hobart CLeN-VL Ventless units

CLeN SERIES – ALL ELECTRIC BLOWER-DRYER ACCESSORY

Approved by _____ Date _____ Approved by _____ Date _____



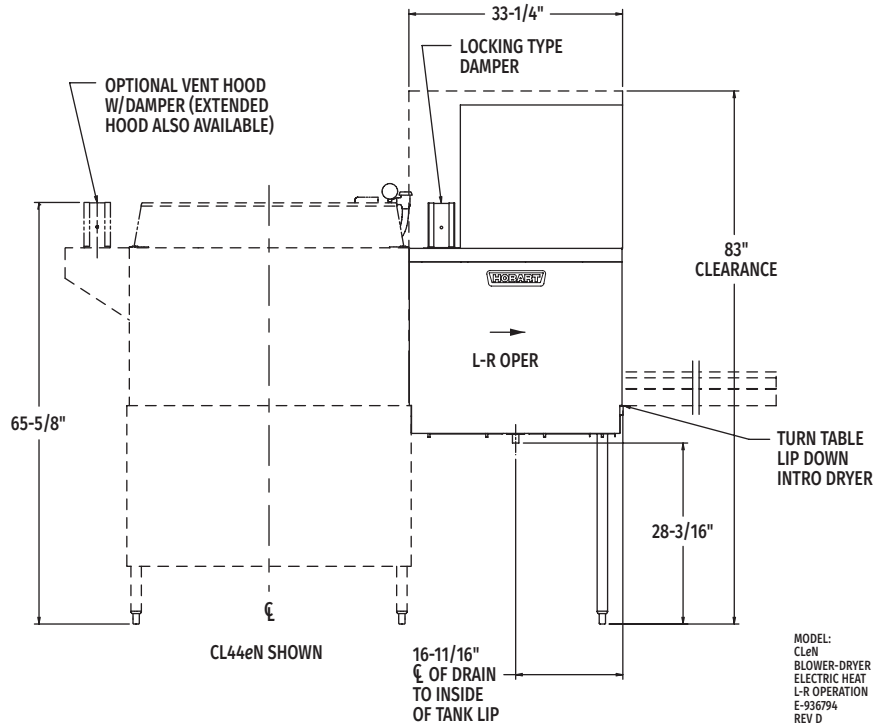
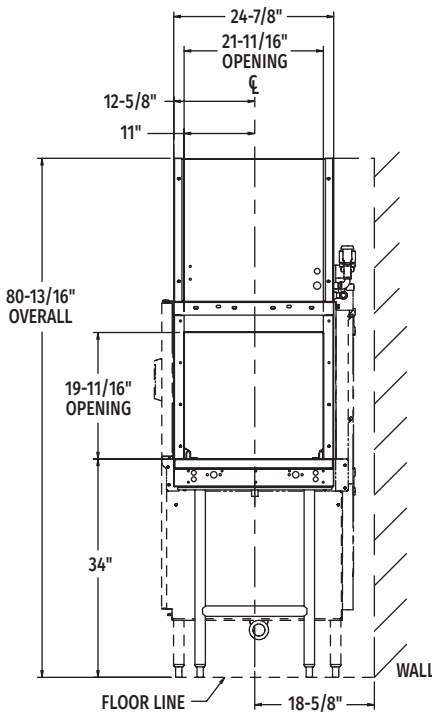
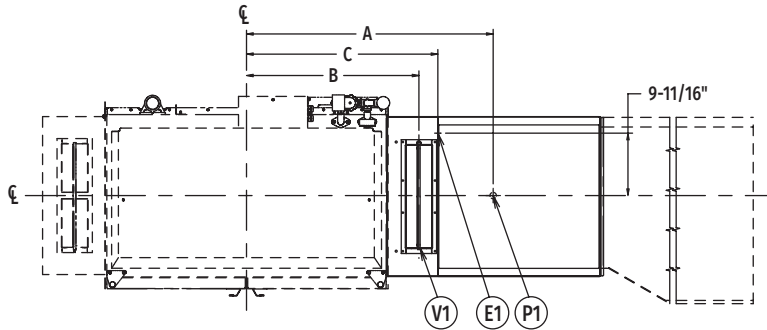
ALL ELECTRIC BLOWER-DRYER ACCESSORY

For CLeN Series

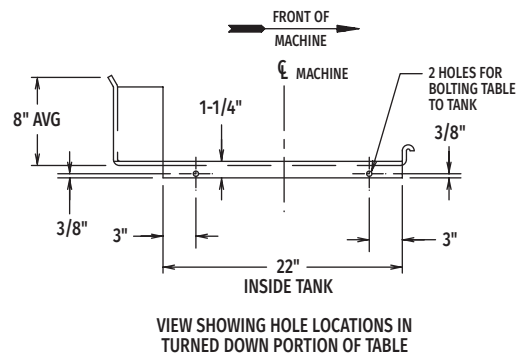
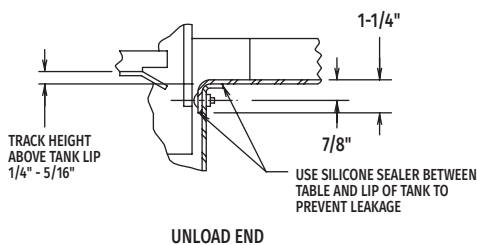
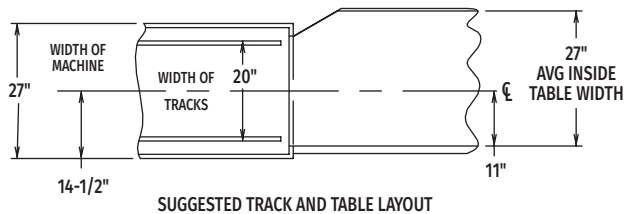
(Left to Right)

LEGEND

Electrical Connections	
E1	Electric connection: 1-1/8" conduit hole provided, remove plug to use. 61" AFF.
Plumbing Connections	
P1	Drain connection in dryer tank: 1" FPT.
Vent Connections	
V1	Vent connection: (must fit inside) 4" x 16" vent stack, 400 C.F.M. exhaust.
NOTE: Canopy hood installation cannot be used with blower dryer.	



MODEL:
CLeN
BLOWER-DRYER
ELECTRIC HEAT
L-R OPERATION
E-936794
REV D

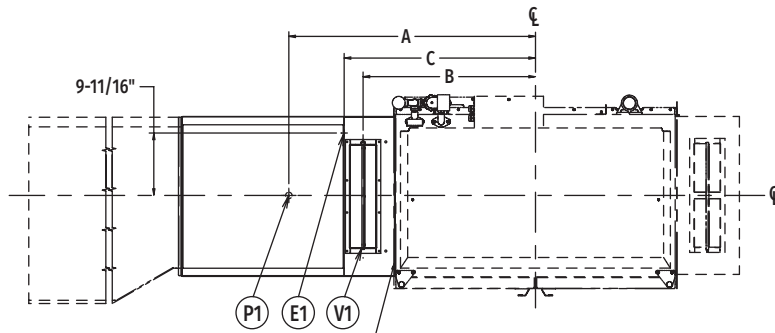




ALL ELECTRIC BLOWER-DRYER ACCESSORY

For CLeN Series

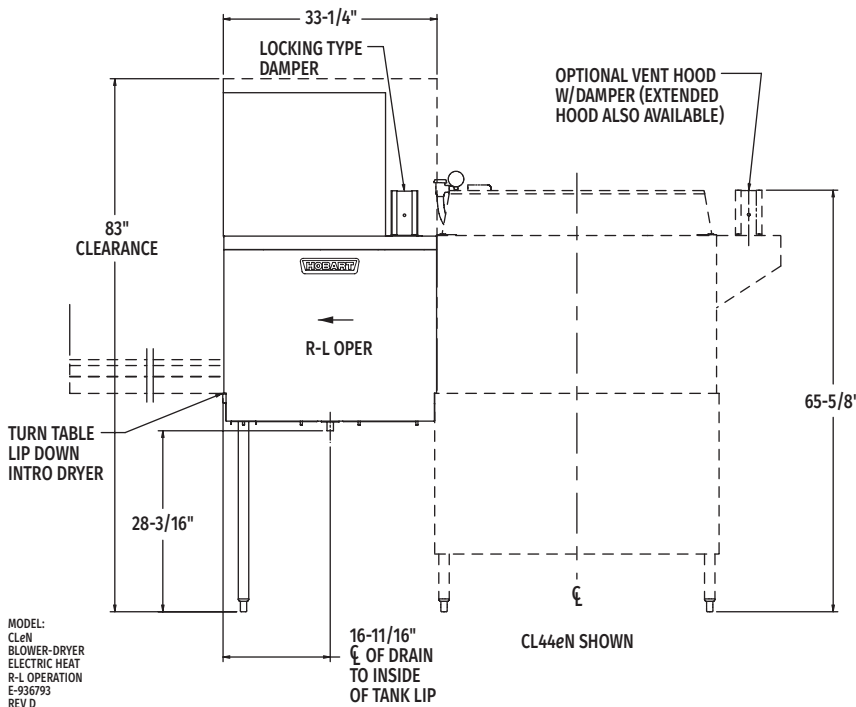
(Right to Left)



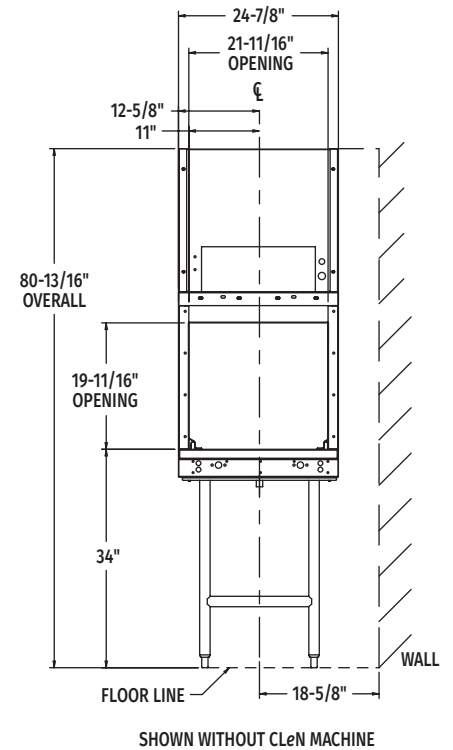
DRYER CHAMBER TO BE BOLTED TO WASH CHAMBER WITH 1/4"-20 X 5/8" HEX HEAD STAINLESS STEEL SCREWS THRU (19) 11/32" DIA. MATCHING HOLES. USE FOAM TAPE (1" WIDE X .060 THICK) AS A GASKET TO SEAL THIS JOINT.

Single Point Electrical Connection Blower Motor & Electric Heat (3 PH only)

Electrical Specs	Rated Amps	Minimum Supply Circuit Ampacity	Maximum Protective Device
208/60/3	34.2	45	45
240/60/3	30.7	40	40
380/60/3	17.8	25	25
480/60/3	15.7	20	20
600/60/3	12.6	20	20
200/50/3	33.0	45	45
380-415/50/3	17.8	25	25



MODEL:
CLeN
BLOWER-DRYER
ELECTRIC HEAT
R-L OPERATION
E-936793
REV D



Model	Dimension A	Dimension B	Dimension C
CL44eN	38-7/16"	26-3/4"	29-13/16"
CLPS66eN	38-7/16"	26-3/4"	29-13/16"
CLCS66eN	38-7/16"	26-3/4"	29-13/16"
CL54eN	48-3/16"	36-5/8"	39-9/16"
CLPS76eN	48-3/16"	36-5/8"	39-9/16"
CLCS76eN	48-3/16"	36-5/8"	39-9/16"
CL64eN	48-7/16"	36-3/4"	39-13/16"
CLPS86eN	48-7/16"	36-3/4"	39-13/16"
CLCS86eN	48-7/16"	36-3/4"	39-13/16"

WARNING: Electrical and grounding connections must comply with the applicable portions of the National Electrical Code and/or other local electrical codes.

Plumbing connections must comply with applicable sanitary, safety and plumbing codes.

Notes:

1. All dimensions taken from floor line may be increased approximately 3/4" or decreased 1/2".
2. For dimensions of dishwashing machine not shown, see installation drawing of machine used.
3. Blower motor controller is controlled from dishwasher motor control box and operates with dishwasher pump motors.



ALL ELECTRIC BLOWER-DRYER ACCESSORY For CLeN Series

Construction: Chamber construction is stainless steel, welded and bolted. Vent is 4" x 16" inside dimension and contains a locking type control damper.

Stainless steel wrap-around encloses entire external component assembly consisting of electric heater, motor and blower. Blower dryer is approximately 17 $\frac{3}{8}$ " above height of machine.

Tank portion is constructed of stainless steel with legs and lower cross-members of 1 $\frac{1}{2}$ " stainless steel tubing and stainless steel adjustable feet.

Conveyor is Hobart "Dual Drive" with stainless steel pawls, designed to connect to CLeN warewasher.

Electric Heat: 3 - 3.3 KW Incoloy® electric heaters are used for a total of 10 KW heating capacity. Thermostatic control and separate over temperature protection are standard. Electrical specifications are 208/60/3, 240/60/3, 480/60/3, 600/60/3, 380/60/3, 200/50/3, 380-415/50/3.

Blower: Industrial fan-type with direct drive wheel. Housing of welded construction.

2 H.P. Blower direct drive motor. Exhaust requirement is 200 to 400 CFM.

Motor: Splashproof enclosure, ventilated design. Furnished only in three-phase electrical specifications of the basic CLeN Model in 208-240/60 and 480/60. The controller circuit operates on 115 volts supplied by the transformer on the dishwasher.

Motor Control: Ambient temperature compensated automatic resetting solid state overload protection, pre-wired. Operation controlled by dishwasher motor switch, i.e. blower functions only during machine operation.