

AW = drain water	KW = cold water	AFFL = above finished floor level
Dat = dataline	KWw = cold water soft	SFB = separate filling-boiler
EZ = power line (supply)	LR = conduit Ø	VEW = demineralized water
FD = floor opening	CNS = stainless steel (inox)	WD = wall opening
HW-VL = hot water flow	MK = supply channell	WS = wall slot
HW-RL = hot water return	PA = equipotential conductor	WW = warm water
KB = cored hole Ø	STL = control line	WWw = warm water soft



**Connections:** The connection of the dishwasher to all services (e.g. electrical, water, drain, exhaust) must comply with all national and local codes of practice and must be carried out by qualified people.

**Attention:** If the dishwasher has a frequency inverter included and is connected after a RCD (FI PROTECTIVE SWITCH), this must be AC/DC sensitive type B.

**Exhaust:** A frost-protection flap is recommended if the exhaust air from the machine is ducted directly outside. If an exhaust hood is installed on top of the dishwasher, an airgap of min. 150mm needs to be maintained. Operational fluctuations can lead to a temporary higher exhaust temperature and humidity (VDI 2052)

**Dimensions:** Dimensions in the drawing are finished dimensions in Millimeters.

**Transport:** Minimum measurements of entry doors = outer largest dimension of machine height + 300mm; machine width + 400mm!

**Shut-off valves:** The isolating valves for rinse water, tank filling or demi-rinse are to be supplied by others.

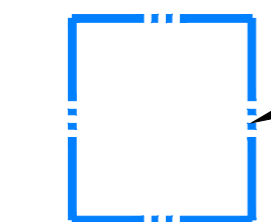
**Control- and data lines:** We recommend a conduit DN50 for control-lines in the area of the electrical connection (see caption).

**Wash result:** A streak free result is achievable with low mineral concentration of the rinse water only (see caption "water/conductivity). If necessary a de-mineralization system should be installed.

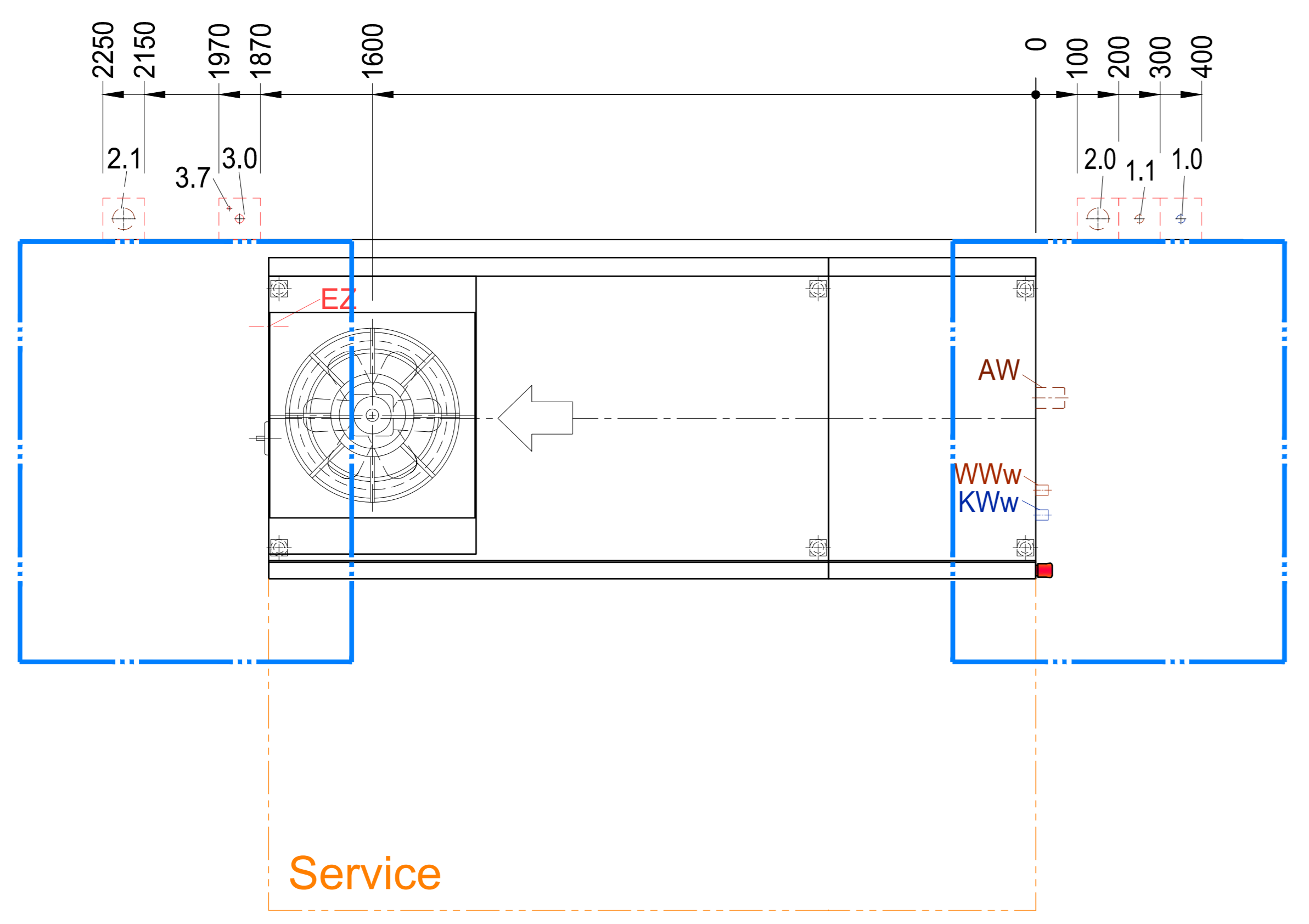
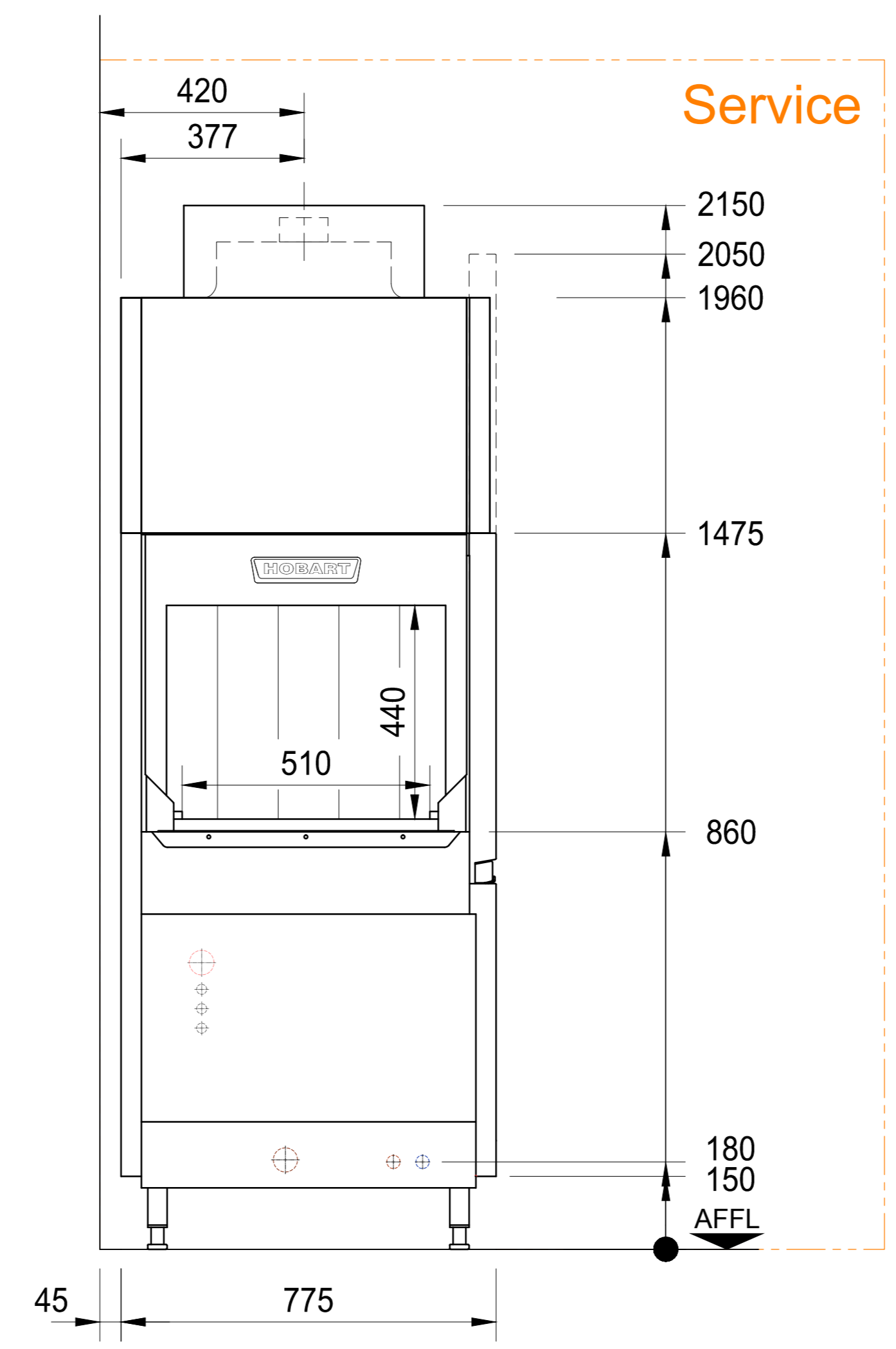
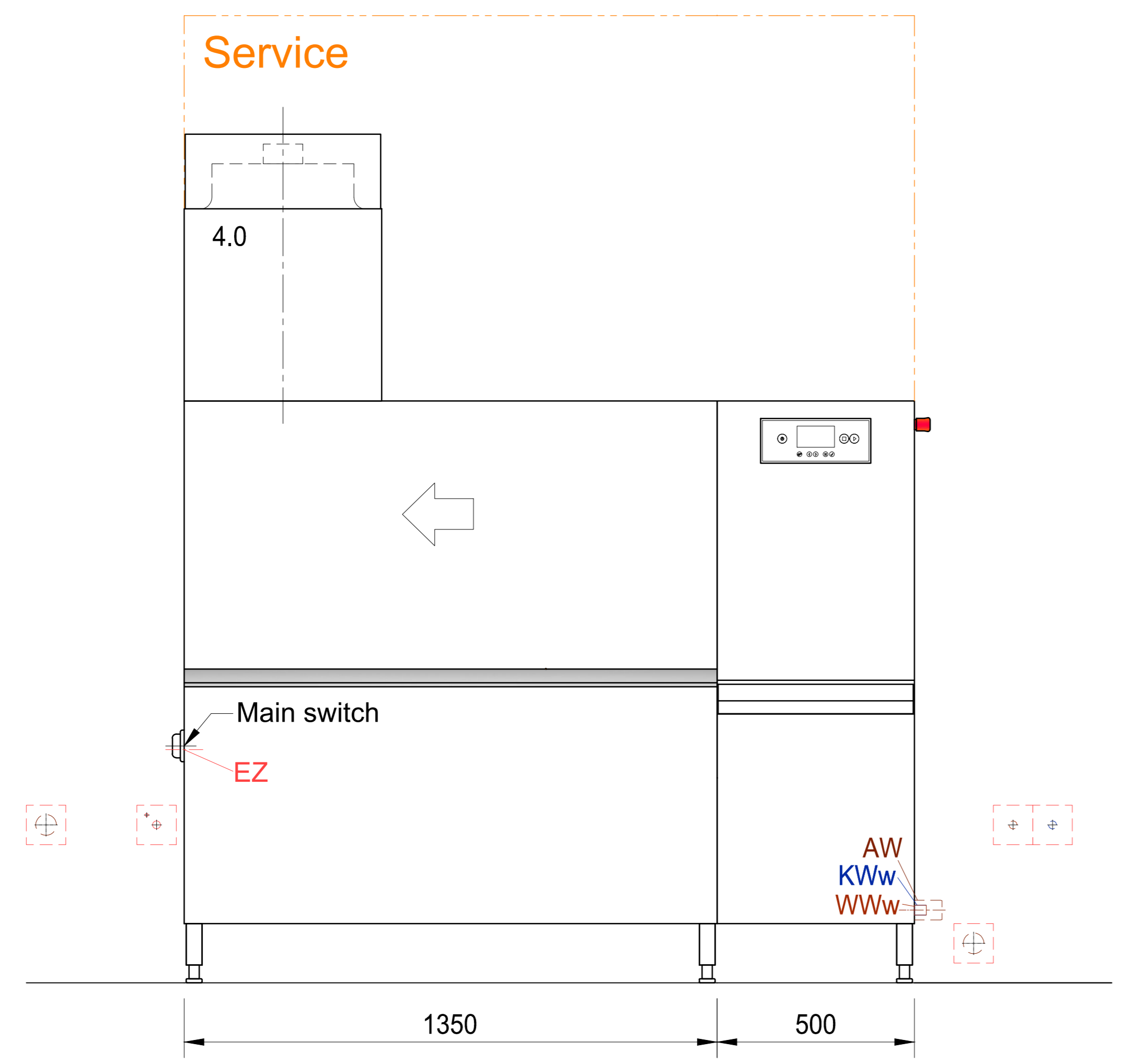
**Heat pump:** The correct functionality of heat pumps can only be guaranteed at a minimum room temperature of 18°C.

**Floor drain:** Splash floor drains should be installed for machine cleaning and for general cleaning purpose.

**Ventilation:** The ventilation and exhaust for the room must be according to VDI 2052. Radiated heat emissions must be considered.



recommended exhaust area according to VDI 2052



<b>Machine-Type:</b>	<b>Rack-Type-Dishwasher</b>	<b>Heating:</b> Electrical
<b>Model:</b> PROFI CN	<b>E-A, C20</b>	<b>Operation:</b> Right / Left
<b>Usable-Width:</b> 510	<b>Usable-Height:</b> 440	<b>Main-Switch:</b> Built in Machine
required supply (by others) (all installations according to local regulations) (technical feasibility must be checked on site)		
<b>Exhaust CLIMATE</b>	Volume	Temp. Pressure (under continuous operation)
On Site *	-	There is no direct connection to room ventilation required for this machine *
4.0 Machine **	280 m³/h	25-28 °C 95 % rF ca. 0 Pa
* Room ventilation must be according to VDI 2052. Radiated heat emission should be considered.		
** In line with VDI 2052 fluctuations in cold water and/or environmental temperatures can influence the exhaust temperature		
<b>Electrical</b>	Control and Data-Line	
3.7 PA	Equipotential	Free Cable End after EZ - 3m
<b>Electrical</b>	Voltage	Frequency
3.0 EZ	400 V	50 Hz
	Structure	Fuse
	3-N-PE	3 x 50 A
		24.8 kW
<b>Water</b>	Consumption	Temp.
2.1 AW	125 l (Filling)	60 °C
2.0 AW	150 lh	max. 25 °C
1.1 WWw		max. 3,75 °e (0,5mmol/l)
1.0 KWw		max. 3,75 °e (0,5mmol/l)
Water-Flow-Pressure provided by customer <b>min. 1,5 bar / 22 psi - max. 6,0 bar / 87 psi</b>		
Heat-Radiation (thermal output to the room)		
washware:	4,3 kW	latent: 3,7 kW
		sensible: 3,3 kW

Das Urheberrecht an dieser Zeichnung verbleibt bei der HOBART GmbH.  
 Jede nicht von uns schriftlich genehmigte Benutzung, Verfielfältigung, Überlassung an Dritte ist strafbar und macht schadensersatzpflichtig.  
 This document contains proprietary and confidential data of HOBART GmbH. No disclosure, reproduction or use of any part thereof may be made without written permission of HOBART GmbH.

Datum / Date:	Project:		
Gezeichnet / Drawn by:			
Geprüft / Checked by:			
Projectmanager:	Maßstab / Scale:	Order-No.:	Zeichnungsnummer / Drawing-No.:
	1:20 @ A2		