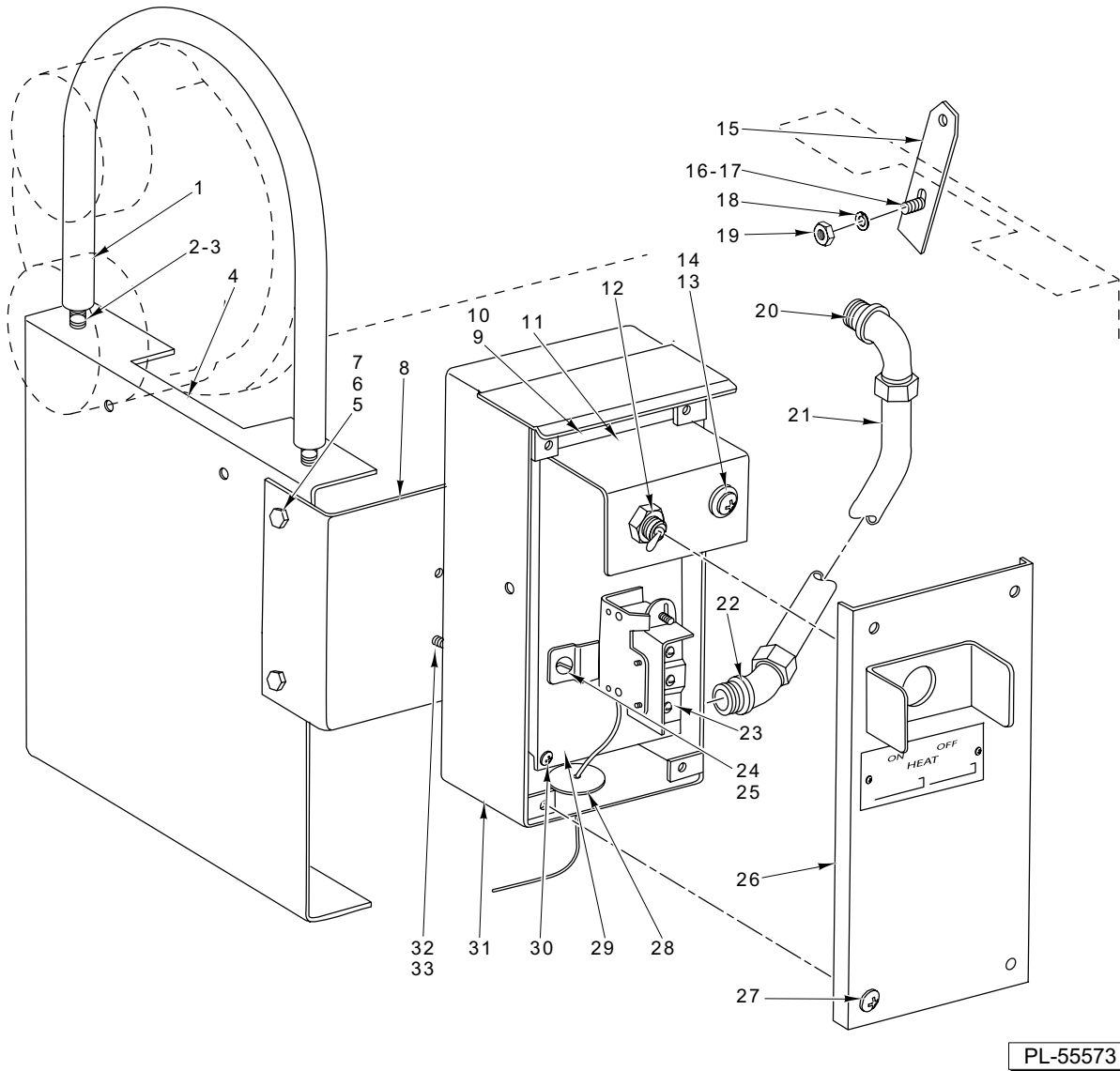




CATALOG OF REPLACEMENT PARTS

STEAM BOOSTER FOR DISHWASHERS

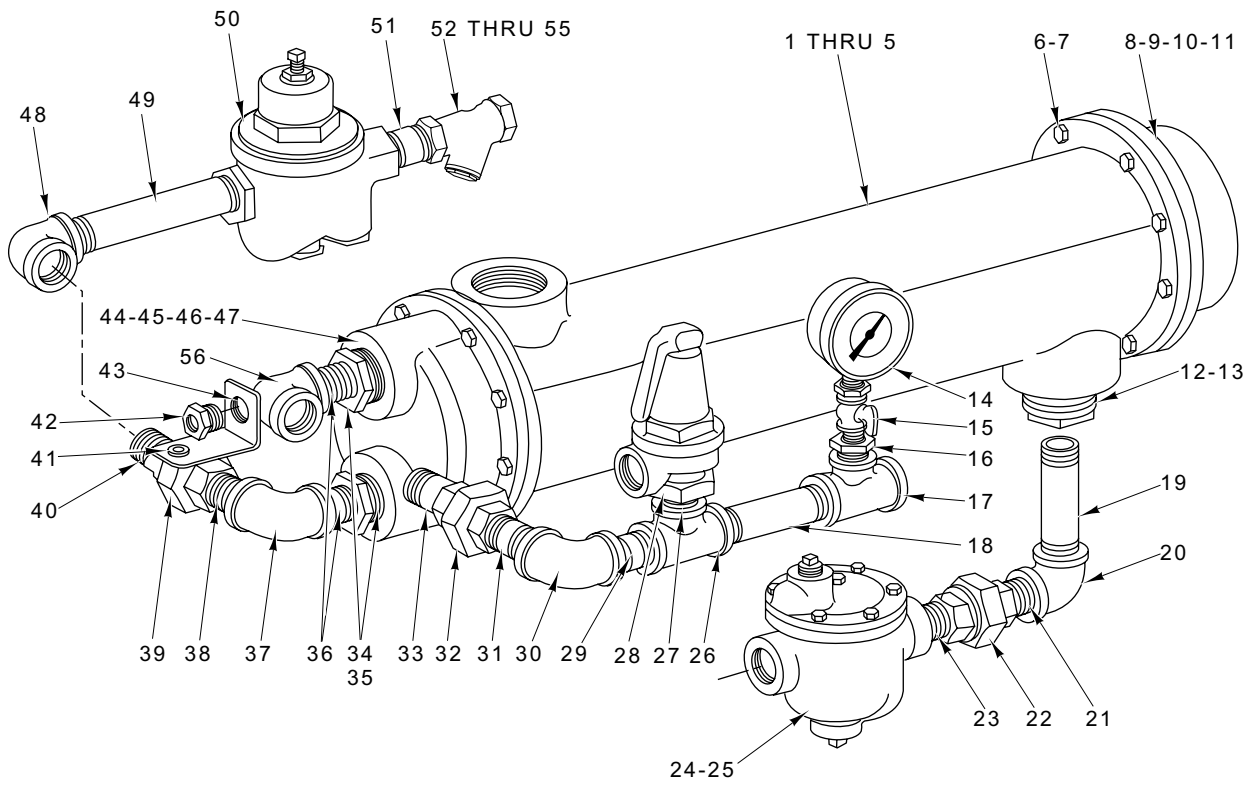
#150-1	ML-110451
#180-1	ML-18599
#260	ML-18600 (0 to 20 PSI) ML-31683 (21 to 50 PSI)
#320	ML-18601 (0 to 20 PSI) ML-31684 (21 to 50 PSI)
#380	ML-18602 (0 to 20 PSI) ML-31685 (21 to 50 PSI)



HEATER MOUNTING AND CONTROL BOX

HEATER MOUNTING AND CONTROL BOX

ILLUS.	PART NO.	NAME OF PART	AMT.
PL-55573			
1	00-114558	Clamp Assy.	2
2	WL-006-23	Lockwasher ⁵ / ₁₆ Medium (SST)	4
3	NS-015-11	Nut ⁵ / ₁₆ -18 Hex Fin. (SST)	4
4	00-287940	Support – Water Heater	2
5	SC-036-25	Cap Screw ⁵ / ₁₆ -18 x ³ / ₄ Hex Hd.	2
6	WL-006-22	Lockwasher ⁵ / ₁₆ Light	2
7	NS-013-11	Nut ⁵ / ₁₆ -18 Hex Fin.	2
8	00-082240	Bracket – Control Box	1
9	SD-008-18	Self-Tapping Screw 8-18 x ³ / ₈ Phil. Binding Hd., Type B	2
10	WL-008-07	Lockwasher #8 Internal Shakeproof	2
11	00-270367	Bracket – Switch & Pilot Light	1
12	00-087711-148-2	Toggle Switch	1
13	00-070886-00009	Pilot Light Assy. (115 V.)	1
14	00-070886-00010	Pilot Light Assy. (208-240 V.)	1
15	00-287939	Clip – Water Heater	4
16	SC-036-52	Cap Screw ³ / ₈ -16 x ³ / ₄ Hex Hd.	4
17	WS-006-11	Washer	4
18	WL-004-02	Lockwasher ³ / ₈ Light	4
19	NS-013-22	Nut ³ / ₈ -16 Hex Fin.	4
20	FE-007-03	Connector 90 Deg. Sealtite (¹ / ₂ Male Thd. x ³ / ₈ Flex. Cnd.)	1
21	00-068190-00006	Conduit – ³ / ₈ x 14 (Waterproof)	1
22	FE-007-02	Connector 45 Deg. Sealtite (¹ / ₂ Male Thd. x ³ / ₈ Flex. Cnd.)	1
23	00-294681-031-2	Thermostat – Tank Heat	1
24	SC-018-62	Mach. Screw 10-24 x ³ / ₈ Fil. Hd.	2
25	NS-031-15	Nut 10-24 Hex	2
26	00-109416-00005	Thermostat & Switch Box Cover Assy.	1
27	SC-036-57	Mach. Screw 10-24 x ³ / ₈ Phil. Truss Hd.	4
28	00-065028	Grommet	1
29	00-079496	Base Plate & Weld Nut Assy.	1
30	SC-018-62	Mach. Screw 10-24 x ³ / ₈ Phil. Truss Hd.	4
31	00-079236	Thermostat & Switch Box Assy.	1
32	SC-008-86	Mach. Screw ⁵ / ₁₆ -18 x ¹ / ₂ Rd. Hd.	2
33	WL-006-22	Lockwasher ⁵ / ₁₆ Light	2



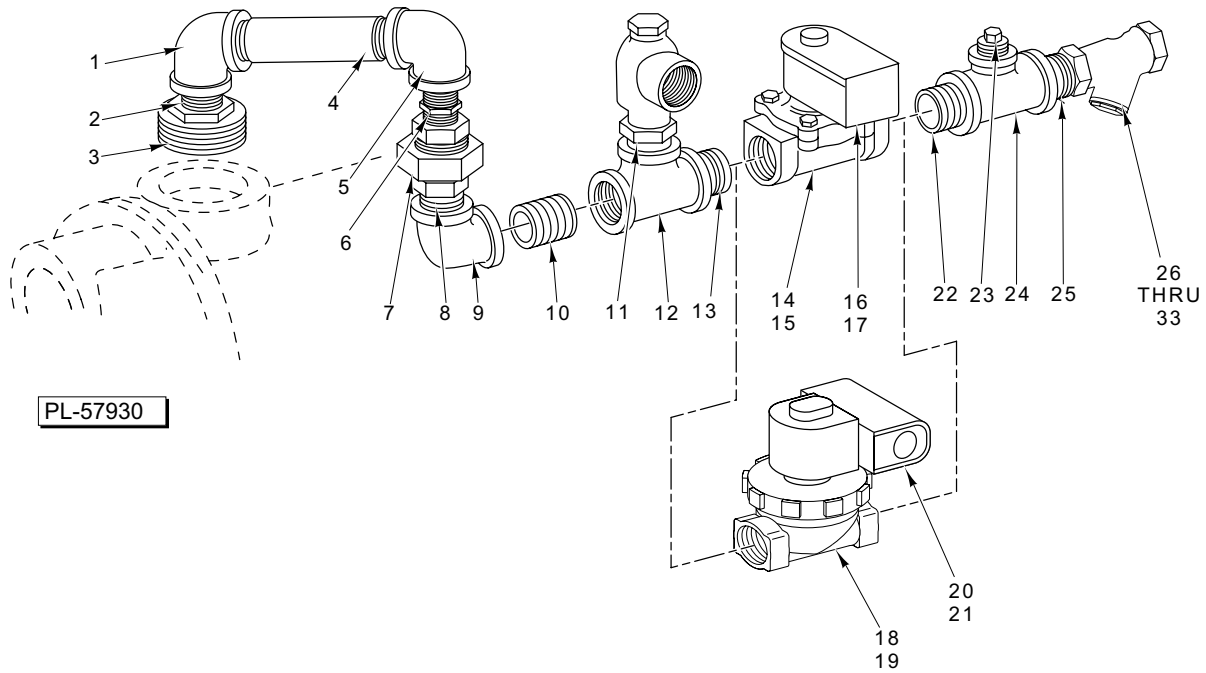
PL-55574

STEAM BOOSTER

STEAM BOOSTER

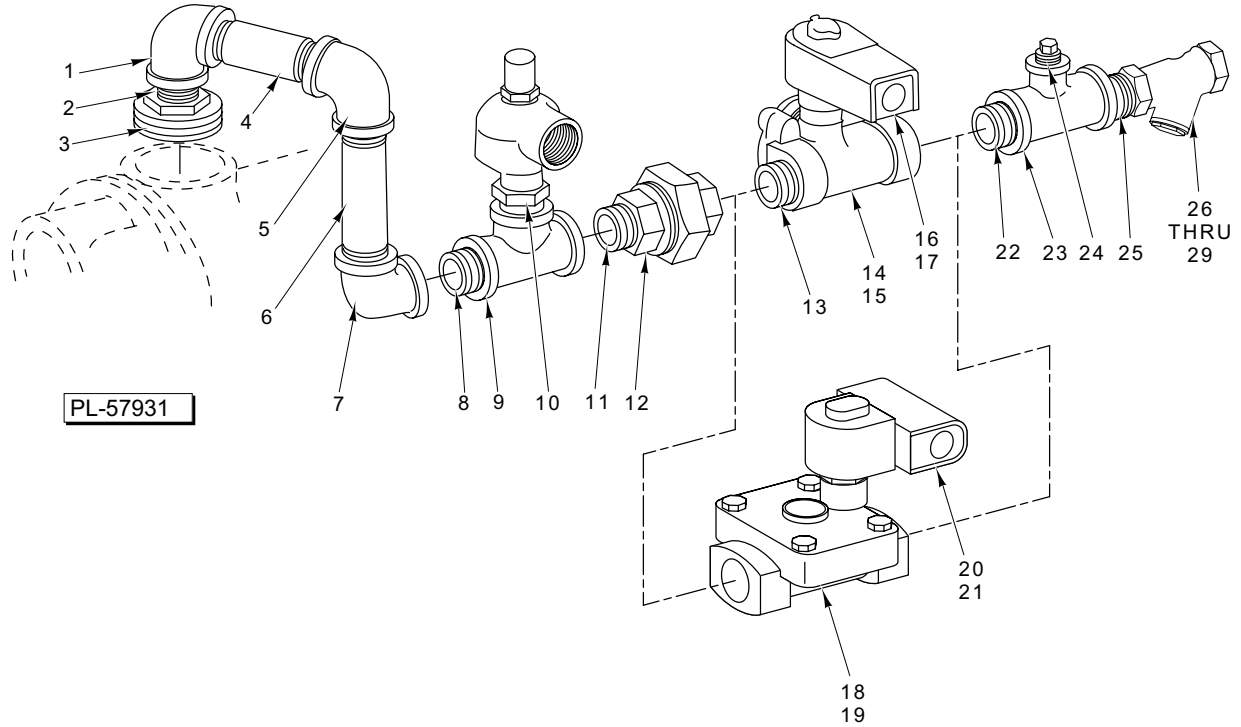
ILLUS. PL-55574	PART NO.	NAME OF PART	AMT.
1	00-081987-00001	Water Heater – #150-1 (Incls. Items 6, 7, 8, 9, 44, & 45)	1
2	00-081987-00002	Water Heater – #180-1 (Incls. Items 6, 7, 8, 9, 44, & 45)	1
3	00-081986-00001	Water Heater – #260 (Incls. Items 6, 7, 10, 11, 46, & 47)	1
4	00-081986-00002	Water Heater – #320 (Incls. Items 6, 7, 10, 11, 46, & 47)	1
5	00-081986-00003	Water Heater – #380 (Incls. Items 6, 7, 10, 11, 46, & 47)	1
6	SC-036-57	Cap Screw 3/8-16 x 1 1/4 Hex Hd.	AR
7	NS-013-22	Nut 3/8-16 Hex Fin.	AR
8	00-070175	Header – Return (#150-1 & 180-1)	1
9	00-070172	Gasket – Return Header (#150-1 & 180-1)	1
10	00-067587	Header – Return (#260, 320, & 380)	1
11	00-067589	Gasket – Return Header (#260, 320, & 380)	1
12	FP-026-34	Bushing 1 1/2 to 3/4 Inside Hex Reducing (#150-1 & 180-1)	1
13	FP-026-64	Bushing 2 to 3/4 Inside Hex Reducing (#260, 320, & 380)	1
14	00-328247	Gauge – Water Pressure	1
15	00-893854	Pet Cock 1/4	1
16	FP-027-07	Bushing 1/2 to 1/4 Outside Hex Reducing	1
17	FP-019-32	Tee 3/4 x 3/4 x 1/2 Reducing	1
18	FP-043-77	Pipe 3/4 x 4 Lg. (TBE)	1
19	FP-059-17	Pipe 3/4 x 3 1/4 Lg. (TBE)	1
20	FP-013-22	Elbow 3/4 x 90 Deg.	1
21	FP-036-92	Pipe 3/4 x 1 3/8 Lg. (TBE)	1
22	FP-022-17	Union 3/4	1
23	FP-036-92	Pipe 3/4 x 1 3/8 Lg. (TBE)	1
24	00-118316	Trap 3/4 Steam (0 to 20 PSI)	1
25	00-118317	Trap 3/4 Steam (21 to 50 PSI)	1
26	FP-019-28	Tee 3/4 x 3/4 x 3/4	1
27	FP-041-50	Pipe 3/4 x 1 3/8 Lg. (TBE)	1
28	00-082010	Valve – Safety Relief	1
29	FP-041-54	Pipe 3/4 x 2 Lg. (TBE)	1
30	FP-015-23	Elbow 3/4 x 90 Deg.	1
31	FP-041-72	Pipe 3/4 x 2 3/4 Lg. (TBE)	1
32	FP-022-18	Union 3/4	1
33	FP-041-52	Pipe 3/4 x 1 5/8 Lg. (TBE)	1
34	FP-027-41	Bushing 1 1/4 to 3/4 Outside Hex Reducing (#150-1 & 180-1)	2
35	FP-027-32	Bushing 2 to 3/4 Inside Hex Reducing (#260, 320, & 380)	2
36	FP-041-50	Pipe 3/4 x 1 3/8 Lg. (TBE)	2
37	FP-015-23	Elbow 3/4 x 90 Deg.	1
38	FP-041-52	Pipe 3/4 x 1 5/8 Lg. (TBE)	1
39	FP-022-18	Union 3/4	1
40	FP-041-52	Pipe 3/4 x 1 5/8 Lg. (TBE)	1
41	00-080427	Grommet – Capillary Tube	1
42	FP-027-13	Bushing 1/2 to 3/8 Hex Reducing	1
43	00-080303	Thermostat Capillary Guard Assy.	1
44	00-070174	Header – Flow (#150-1 & 180-1) (Give Heater No.)	1
45	00-070173	Gasket – Flow Heater (#150-1 & 180-1)	1
46	00-067590	Header – Flow (#260, 320, & 380) (Give Heater No.)	1
47	00-067588	Gasket – Flow Heater (#260, 320, & 380)	1
48	FP-015-23	Elbow 3/4 x 90 Deg.	1
49	FP-041-96	Pipe 3/4 x 6 Lg. (TBE)	1
50	00-893294	Valve 3/4 Pressure Reducing (W/Strainer) (Brass)	1
51	FP-041-58	Pipe 3/4 x 2 3/8 Lg. (TBE)	1
52	00-186922	Line Strainer (3/4 Brass) (Incls. Items 53, 54, & 55)	1
53	00-186925	Screen (3/4 Line Strainer)	1
54	00-186924	Gasket	1
55	00-082234	Seal – Plate (3/4 Line Strainer)	1
56	FP-019-35	Tee – Pipe 3/4 x 1/2 x 3/4	1

STEAM BOOSTER FOR DISHWASHERS REPLACEMENT PARTS



**STEAM INLET
(#150-1 & 180-1 HEATERS)**

ILLUS.	PART NO.	NAME OF PART	AMT.
PL-57930			
1	FP-013-22	Elbow $\frac{3}{4}$ x 90 Deg.	1
2	FP-036-92	Pipe $\frac{3}{4}$ x $1\frac{3}{8}$ Lg. (TBE)	1
3	FP-026-34	Bushing $1\frac{1}{2}$ to $\frac{3}{4}$ Inside Hex Reducing	1
4	FP-036-87	Pipe $\frac{3}{4}$ x $4\frac{1}{4}$ Lg. (TBE)	1
5	FP-013-22	Elbow $\frac{3}{4}$ x 90 Deg.	1
6	FP-036-92	Pipe $\frac{3}{4}$ x $1\frac{3}{8}$ Lg. (TBE)	1
7	FP-022-17	Union $\frac{3}{4}$	1
8	FP-036-92	Pipe $\frac{3}{4}$ x $1\frac{3}{8}$ Lg. (TBE)	1
9	FP-013-22	Elbow $\frac{3}{4}$ x 90 Deg.	1
10	FP-036-92	Pipe $\frac{3}{4}$ x $1\frac{3}{8}$ Lg. (TBE)	1
11	00-065281	Valve $\frac{3}{4}$ Safety	1
12	FP-019-27	Tee $\frac{3}{4}$ x $\frac{3}{4}$ x $\frac{3}{4}$	1
13	FP-036-92	Pipe $\frac{3}{4}$ x $1\frac{3}{8}$ Lg. (TBE)	1
14	00-270329-00001	Valve $\frac{3}{4}$ Solenoid (115 V.) (Incls. Item 16)	1
15	00-270329-00002	Valve $\frac{3}{4}$ Solenoid (200-230 V.) (Incls. Item 17)	1
16	00-270318-00001	Coil $\frac{3}{4}$ Solenoid Valve (115 V.)	1
17	00-270318-00002	Coil $\frac{3}{4}$ Solenoid Valve (200-230 V.)	1
18	00-892004-00002	Valve $\frac{3}{4}$ Solenoid (115 V.) (Incls. Item 20)	1
19	00-892004-00003	Valve $\frac{3}{4}$ Solenoid (200-230 V.) (Incls. Item 21)	1
20	00-892363-00002	Coil $\frac{3}{4}$ Solenoid Valve (115 V.)	1
21	00-892363-00003	Coil $\frac{3}{4}$ Solenoid Valve (200-230 V.)	1
22	FP-036-92	Pipe $\frac{3}{4}$ x $1\frac{3}{8}$ Lg. (TBE)	1
23	FP-028-06	Pipe Plug $\frac{1}{4}$ Sq. Hd.	1
24	FP-019-80	Tee $\frac{3}{4}$ x $\frac{3}{4}$ x $\frac{1}{4}$ Reducing	1
25	FP-036-92	Pipe $\frac{3}{4}$ x $1\frac{3}{8}$ Lg. (TBE)	1
26	00-186922	Line Strainer ($\frac{3}{4}$) (Brass) (Incls. Items 23, 24, & 25)	1
27	00-186925	Screen ($\frac{3}{4}$ Line Strainer)	1
28	00-186924	Gasket	1
29	00-186923	Branch Plug	1
30	00-082231	Screen	1
31	00-749802-00001	Cap	1
32	00-749802-00002	Gasket	1
33	00-749802-00003	Screen	1
	00-270336	Solenoid Valve Kit (Use With Items 14 and 15)	1
	00-892072	Solenoid Valve Kit (Use With Items 18 and 19)	1



STEAM INLET (#260, 320, & 380 HEATERS)

ILLUS.	PART NO.	NAME OF PART	AMT.
PL-57931			
1	FP-013-27	Elbow 1 x 90 Deg.	1
2	FP-059-41	Pipe 1 x 1 ³ / ₄ Lg. (TBE)	1
3	FP-026-45	Bushing 2 to 1 Inside Hex Reducing	1
4	FP-059-51	Pipe 1 x 4 ¹ / ₂ Lg. (TBE)	1
5	FP-013-27	Elbow 1 x 90 Deg.	1
6	FP-059-38	Pipe 1 x 5 Lg. (TBE)	1
7	FP-013-27	Elbow 1 x 90 Deg.	1
8	FP-036-17	Pipe 1 x 1 ¹ / ₂ Lg. (TBE)	1
9	FP-019-38	Tee 1 x 1 x 1	1
10	00-064880	Valve - 1 Safety	1
11	FP-036-17	Pipe 1 x 1 ¹ / ₂ Lg. (TBE)	1
12	FP-022-23	Union 1	1
13	FP-036-17	Pipe 1 x 1 ¹ / ₂ Lg. (TBE)	1
14	00-112091-00003	Valve 1 Solenoid (115 V.) (Incls. Item 16)	1
15	00-112091-00002	Valve 1 Solenoid (200-230 V.) (Incls. Item 17)	1
16	00-109154-00001	Coil 1 Solenoid Valve (115 V., 50/60 Hz.)	1
17	00-109154-00002	Coil 1 Solenoid Valve (208-240 V., 50/60 Hz.)	1
18	00-749981-00002	Valve 1 Solenoid (110 V.) (Incls. Item 20)	1
19	00-749981-00003	Valve 1 Solenoid (208-240 V.) (Incls. Item 21)	1
20	00-892363-00004	Coil 1 Solenoid Valve (110 V. Only)	1
21	00-892363-00005	Coil 1 Solenoid Valve (208-240 V. Only)	1
22	FP-059-32	Pipe 1 x 2 ¹ / ₂ Lg. (TBE)	1
23	FP-019-37	Tee 1 x 1 x 1/4 Reducing	1
24	FP-028-06	Pipe Plug 1/4 Sq. Hd.	1
25	FP-059-32	Pipe 1 x 2 ¹ / ₂ Lg. (TBE)	1
26	00-748967	Line Strainer (1) (Incls. Items 27, 28, & 29)	1
27	00-749172-00003	Screen (1 Line Strainer)	1
28	00-749172-00002	Plug	1
29	00-749172-00001	Cap	1
	00-114299	Solenoid Valve Kit (Use With Items 14 and 15)	1
	00-892071	Solenoid Valve Kit (Use With Items 18 and 19)	1

