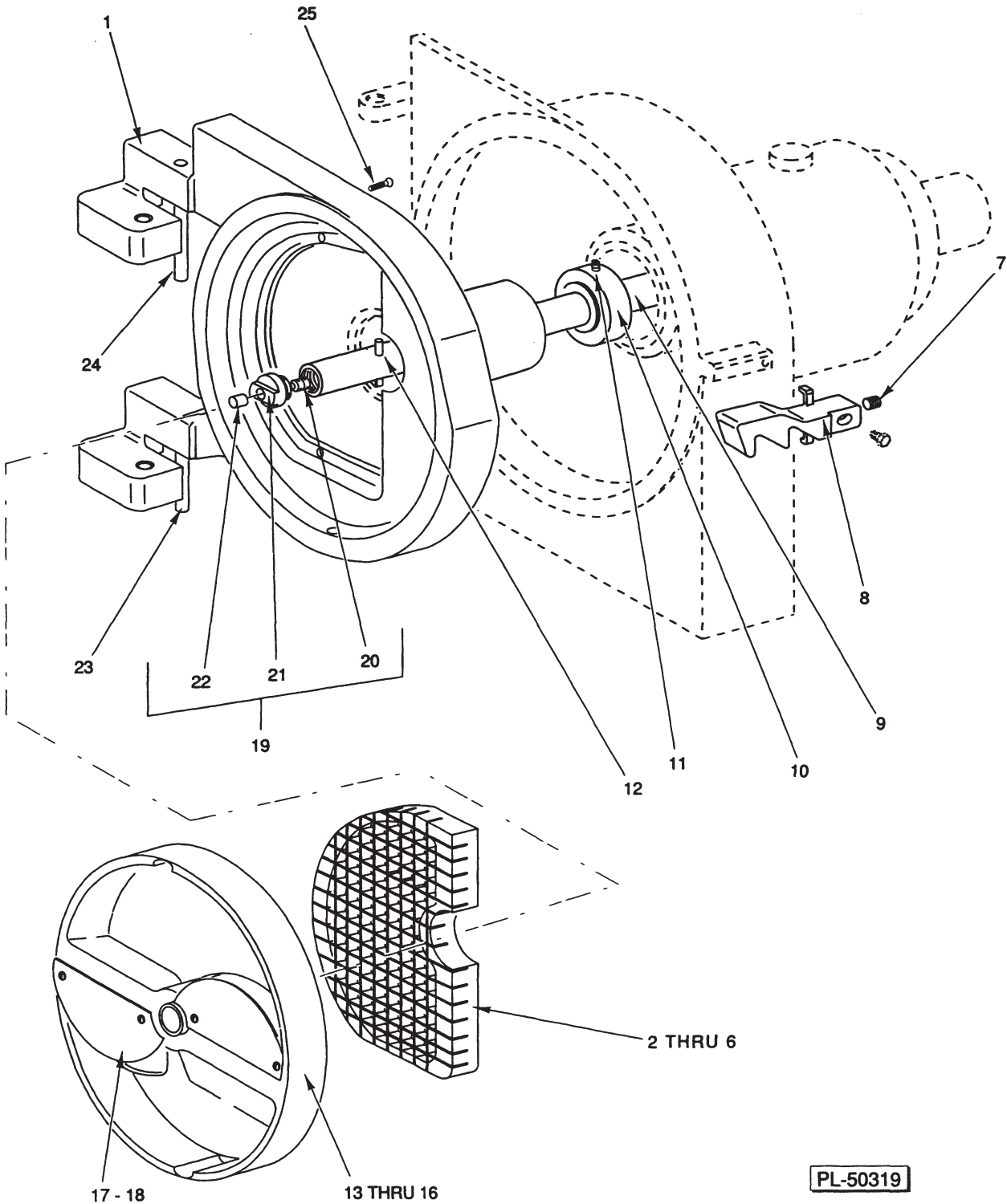




**CATALOG OF
REPLACEMENT PARTS**

**VS9DICE
DICER ATTACHMENT**

ML-103332 #12 ATTACHMENT



PL-50319

DICER ATTACHMENT

DICER ATTACHMENT

ILLUS. PL-50319	PART NO.	NAME OF PART	AMT.
1	315300	Hinge Assy (Incls. items 23 & 24)	1
2	315304	Knife Frame Assy 1/2"	1
3	315407	Knife Frame Assy 1/4"	1
4	315405	Knife Frame Assy 3/8"	1
5	435828	Knife Frame Assy 3/8" French Fry Plate	1
6	315408	Knife Frame Assy 1/2" Serrated	1
7	103660	Screw - Latch Adjustment	1
8	315302	Latch (Incls. item 7)	1
9	435208	Shaft Sub Assy (Incls. item 12 & hub)	1
10	76782	Bearing - Thrust (12) (3/4" I.D.) (Assemble Boss Away From Sq. Dr.)	1
11	76799-2	Screw - Dog Point (12)	1
12	PG-7-37	Pin - Grooved 1/4"	1
13	435244-2	Plate - Knife 1/2"	1
14	435688-2	Plate - Knife 3/8"	1
15	435683-2	Plate - Knife 1/4"	1
16	435226	Hub - Knife Plate	1
17	435243	Knife	2
18	SC-120-97	Mach. Screw 4-40 x 3/8 Flat Hd. SST	4
19	435202	Special Screw Assy (Incls. items 20, 21 & 22)	1
20	SC-64-4	Set Screw 1/4-28 x 3/8 Hdls., Flat Pt. "Nylok"	1
21	435201	Screw - Special	1
22	73265	Plug - Plate Thrust	1
23	74868-2	Pin - Lower Hinge	1
24	74868-1	Pin - Upper Hinge	1
25	SC-22-2	Mach. Screw 6-32 x 1/2 Flat Hd. SST	2
	315303	Knife Plate Assy 1/2" (Incls. items 13, 16, 17 & 18)	1
	315386	Knife Plate Assy 1/4" (Incls. items 15, 16, 17 & 18)	1
	315360	Knife Plate Assy 3/8" (Incls. items 14, 16, 17 & 18)	1
	315301	Dicer Shaft Assy (Incls. items 9, 10, 11 & 19)	1
	435991	Brush - Cleaning	1

