



CATALOG OF

REPLACEMENT PARTS

MODEL RS22A & AW SERIES PREWASH UNIT

CRS66A
ML-104052 R-L
ML-104055 L-R

CRS66AW
ML-104086 R-L
ML-104087 L-R

CRS76A
ML-104202 R-L
ML-104201 L-R

CRS86A
ML-103910 R-L
ML-103911 L-R

CRS110A
ML-110044 R-L
ML-110043 L-R

PRIOR MLS COVERED IN THIS MANUAL:

CRS66A
ML-38947 R-L
ML-38948 L-R

CRS66AW
ML-103958 R-L
ML-103959 L-R

Table of Contents

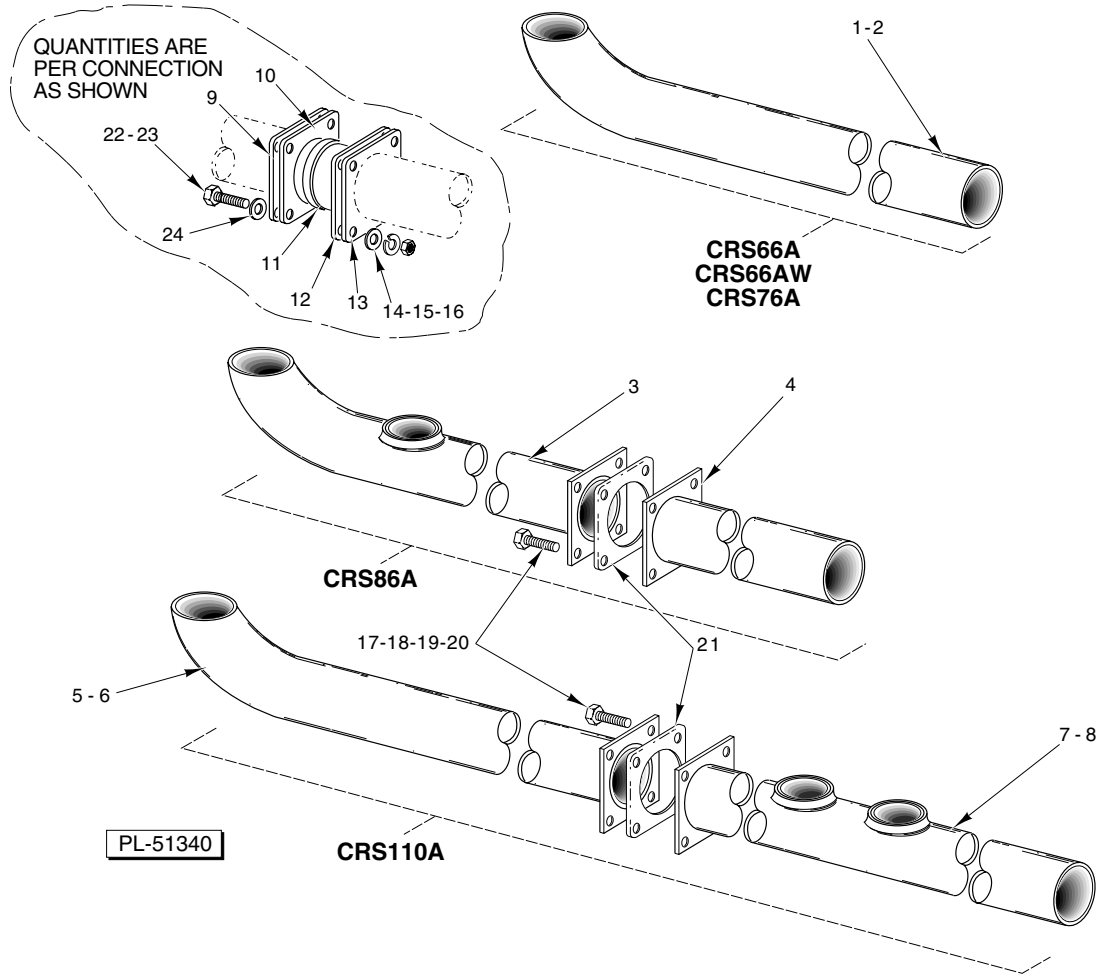
Page	Description
3	Flow Back Tube
4	Door and Curtain
6	Prewash Motor and Pump
8	Prewash Chamber and Tank
10	Prewash Arms And Tubes
12	Drain
14	Water Level Floats
16	Track And Cradle
18	Actuator Mechanism
20	Prewash Temperature Control – Piping
22	Prewash Temperature Control – Electrical
23	Bucket and Strainer Pans
24	Miscellaneous

This catalog contains parts for standard height as well as 6" higher than standard height. For proper identification of some parts, it is necessary to measure the door height; these parts are noted accordingly.

DOOR HEIGHT

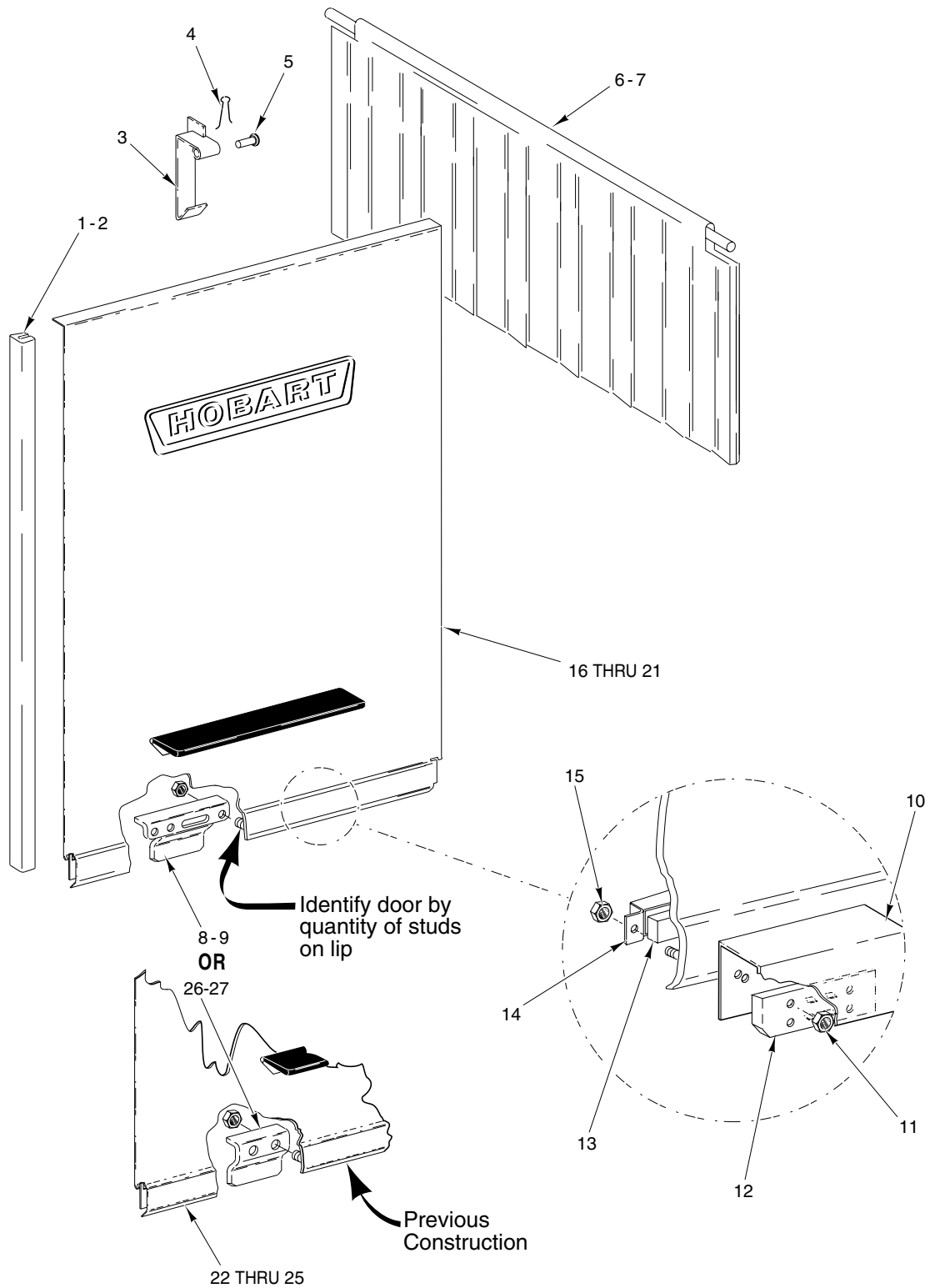
26¹/₈ = Standard

32¹/₈ = 6" Higher than Standard



FLOW BACK TUBE

ILLUS.	PART NO.	NAME OF PART	AMT.
	PL-51340		
1	00-274113-00001	Flow Back Tube (R-L) (CRS66A/AW & CRS76A)	1
2	00-274113-00002	Flow Back Tube (L-R) (CRS66A/AW & CRS76A)	1
3	00-436708	Flow Back Tube-Inside (CRS86A)	1
4	00-436710-00001	Flow Back Tube-Outside (CRS86A)	1
5	00-329664	Flow Back Tube-Outside (R-L) (CRS110A)	1
6	00-289502	Flow Back Tube-Outside (L-R) (CRS110A)	1
7	00-329658-00002	Flow Back Tube-Inside (R-L) (CRS110A)	1
8	00-329659-00002	Flow Back Tube-Inside (L-R) (CRS110A)	1
9	00-120115	Retainer – Seal	1
10	00-120603	Gasket – Seal Retainer	1
11	00-077621-00002	Ring – Sealing	1
12	00-120603	Gasket – Seal Retainer	1
13	00-120115	Retainer – Seal	1
14	WS-017-08	Washer	4
15	WL-006-23	Lockwasher ⁵ / ₁₆ Medium (SST)	4
16	NS-015-11	Nut ⁵ / ₁₆ -18 Hex	4
17	SC-041-15	Cap Screw ⁵ / ₁₆ -18 x 1 ¹ / ₄ Hex Hd.	4
18	WS-017-08	Washer	8
19	WL-006-23	Lockwasher ⁵ / ₁₆ Medium (SST)	4
20	NS-015-11	Nut ⁵ / ₁₆ -18 Hex	4
21	00-120603	Gasket – Seal Retainer	2
22	SC-041-15	Cap Screw ⁵ / ₁₆ -18 x 1 ¹ / ₄ Hex Hd.	4
23	00-545595	Sealer (¹ / ₈ Rd.)	AR
24	WS-017-08	Washer	4



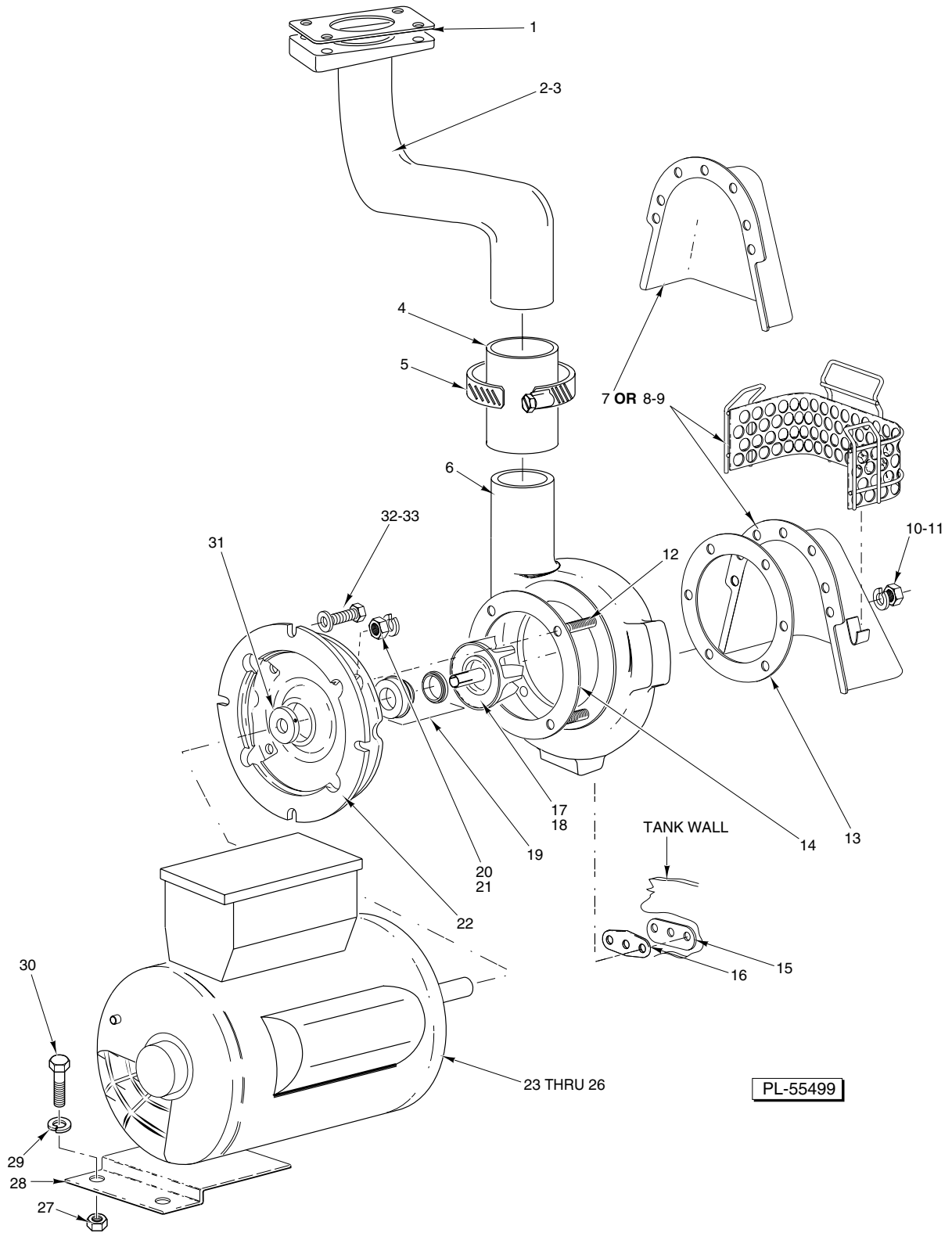
PL-55281

DOOR AND CURTAIN

DOOR AND CURTAIN

ILLUS.	PART NO.	NAME OF PART	AMT.
	PL-55281		
1	00-112378-00049	Door Slide (26 ¹ / ₈ Door Height)	2
2	00-112378-00050	Door Slide (32 ¹ / ₈ Door Height)	2
3	00-185864	Catch – Door	1
4	PC-005-02	Cotter Pin 1 ¹ / ₁₆ x 1 ¹ / ₂ (SST)	1
5	00-012114	Pin	1
6	00-120151-00001	Splash Curtain (10-C1)	1
7	00-120266-00001	Curtain Rod	AR
8	00-328065	Actuator – Lift Drain	1
9	NS-031-21	Stop Nut – Special 1 ¹ / ₄ -20 Hex	AR
10	00-270996	Insulator – Switch	1
11	NS-031-50	Stop Nut 6-32 Hex (SST)	2
12	00-749347	Switch – Reed Encapsulated	1
13	00-290160	Magnet	1
14	00-290159	Retainer – Magnet	1
15	NS-031-50	Stop Nut 6-32 Hex (SST)	2
16	00-328080-00003	Door (26 ¹ / ₈) (R-L) (4 Studs)	1
17	00-328080-00004	Door (26 ¹ / ₈) (L-R) (4 Studs)	1
18	00-328081-00003	Door (32 ¹ / ₈) (R-L) (4 Studs)	1
19	00-328081-00004	Door (32 ¹ / ₈) (L-R) (4 Studs)	1
20	00-329296-00003	Door (26 ¹ / ₈) (R-L & L-R) (8 Studs)	1
21	00-329297-00003	Door (32 ¹ / ₈) (R-L & L-R) (8 Studs)	1
*22	—	Door (26 ¹ / ₈) (R-L)	1
*23	—	Door (26 ¹ / ₈) (L-R)	1
*24	—	Door (32 ¹ / ₈) (R-L)	1
*25	—	Door (32 ¹ / ₈) (L-R)	1
26	00-274767	Actuator – Lift Drain	1
27	NS-031-21	Stop Nut – Special 1 ¹ / ₄ -20 Hex	2
	00-120152-00001	Splash Curtain Assy. (Incls. Items 6 & 7)	1

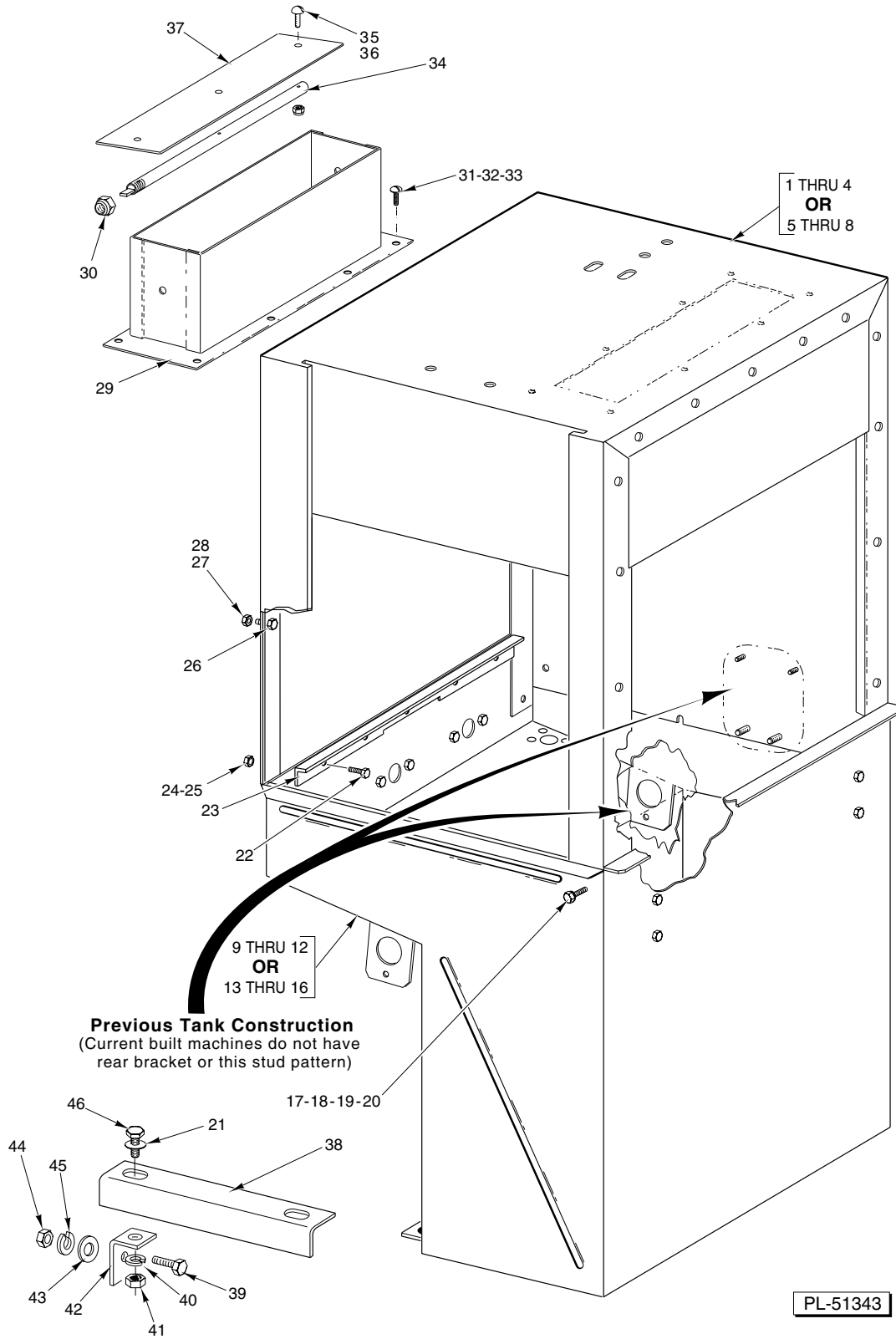
*No longer available. Order either item 16, 17, 18, or 19 & item 8 to convert to present style.



PREWASH MOTOR AND PUMP

PREWASH MOTOR AND PUMP

ILLUS.	PART NO.	NAME OF PART	AMT.
PL-55499			
1	00-270968	Gasket – Wash Pipe	1
2	00-274133	Tube – Discharge (R-L)	1
3	00-274148	Tube – Discharge (L-R) (Not Shown)	1
4	00-749586	Hose – Discharge	1
5	00-542337	Clamp – Hose	2
6	00-274227-00001	Pump Shell (Incls. Item 7)	1
7	00-274223	Shroud	1
8	00-274246	Shroud	1
9	00-328362	Strainer – Pump	1
10	WL-006-23	Lockwasher ⁵ / ₁₆ Medium (SST)	10
11	NS-015-11	Nut ⁵ / ₁₆ -18 Hex	10
12	00-274227-00005	Stud	AR
13	00-119050	Gasket	1
14	00-274227-00004	Gasket	1
15	00-812776	Support Plate	2
16	00-119051	Gasket – Pump Drain Hole	2
17	00-274227-00008	Impeller & Sleeve (60 Hz.)	1
18	00-274227-00011	Impeller & Sleeve (50 Hz.)	1
19	00-274227-00006	Seal – Shaft	1
20	WL-006-22	Lockwasher ⁵ / ₁₆ Light	4
21	NS-015-11	Nut ⁵ / ₁₆ -18 Hex	4
22	00-274227-00003	Adapter	1
23	00-274230-00005	Motor (1 Ph., 60 Hz.) (1 Hp.)	1
24	00-274230-00006	Motor (3 Ph., 60 Hz.) (1 Hp.)	1
25	00-274230-00007	Motor (1 Ph., 50 Hz.) (1 Hp.)	1
26	00-274230-00008	Motor (3 Ph., 50 Hz.) (1 Hp.)	1
27	NS-015-01	Nut ¹ / ₄ -20 Hex (SST)	2
28	00-812069	Bracket – Motor Support	1
29	WL-006-17	Lockwasher ¹ / ₄ Medium	2
30	SC-041-05	Cap Screw ¹ / ₄ -20 x ⁵ / ₈ Hex Hd. (SST)	2
31	00-274227-00002	Clamp	1
32	SC-041-29	Cap Screw ³ / ₈ -16 x ⁷ / ₈ Hex Hd. (SST)	4
33	WS-006-44	Washer	4

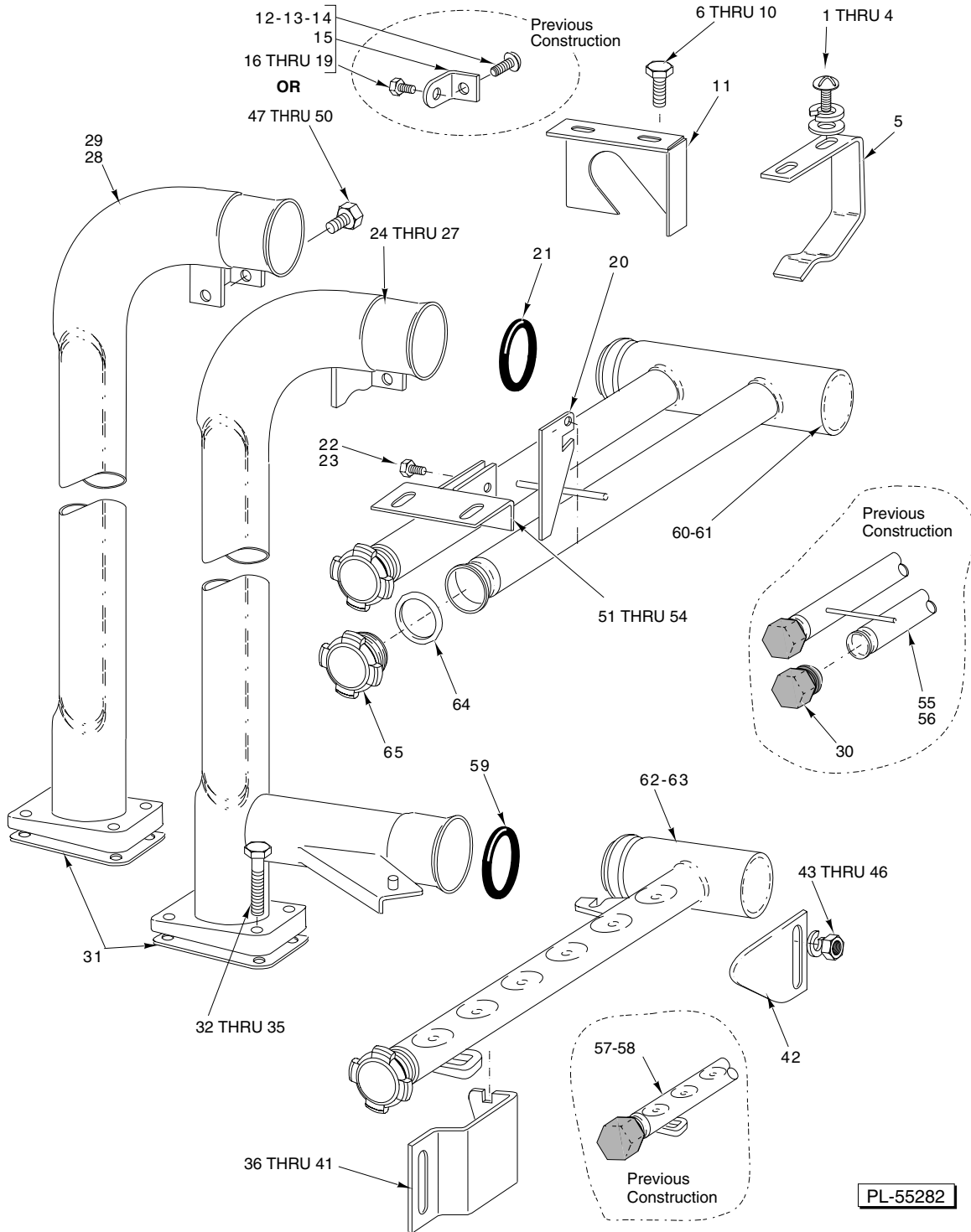


PREWASH CHAMBER AND TANK

PREWASH CHAMBER AND TANK

ILLUS. PL-51343	PART NO.	NAME OF PART	AMT.
1	00-435775	Chamber Assy. (26 ¹ / ₈ Door Height) (R-L)	1
2	00-435777	Chamber Assy. (26 ¹ / ₈ Door Height) (L-R)	1
3	00-435776	Chamber Assy. (32 ¹ / ₈ Door Height) (R-L)	1
4	00-435778	Chamber Assy. (32 ¹ / ₈ Door Height) (L-R)	1
5	00-274106-00001	Chamber Assy. (26 ¹ / ₈ Door Height) (R-L)	1
6	00-274129-00001	Chamber Assy. (26 ¹ / ₈ Door Height) (L-R)	1
7	00-274577-00001	Chamber Assy. (32 ¹ / ₈ Door Height) (R-L)	1
8	00-274702-00001	Chamber Assy. (32 ¹ / ₈ Door Height) (L-R)	1
9	00-274099	Tank Assy. W/Rear Bracket (R-L)	1
10	00-271876	Tank Assy. (L-R) (Not Shown)	1
11	00-274099-00002	Tank Assy. (R-L) (With Side Loader)	1
12	00-271876-00002	Tank Assy. (L-R) (With Side Loader)	1
13	00-329928-00001	Tank Assy. (R-L)	1
14	00-329926-00001	Tank Assy. (L-R)	1
15	00-329928-00002	Tank Assy. (R-L) (With Side Loader)	1
16	00-329926-00002	Tank Assy. (L-R) (With Side Loader)	1
17	SC-041-11	Cap Screw ⁵ / ₁₆ -18 x ³ / ₄ Hex Hd. (SST)	4
18	WL-006-23	Lockwasher ⁵ / ₁₆ Medium (SST)	6
19	NS-015-11	Nut ⁵ / ₁₆ -18 Hex	6
20	WS-017-01	Washer	6
21	WS-017-01	Washer	4
22	SC-041-05	Cap Screw ¹ / ₄ -20 x ⁵ / ₈ Hex Hd. (SST)	5
23	00-274103	Support – Tank	1
24	WL-006-17	Lockwasher ¹ / ₄ Medium	5
25	NS-015-01	Nut ¹ / ₄ -20 Hex (SST)	5
26	SC-041-05	Cap Screw ¹ / ₄ -20 x ⁵ / ₈ Hex Hd. (SST)	15
27	WL-006-17	Lockwasher ¹ / ₄ Medium	15
28	NS-015-01	Nut ¹ / ₄ -20 Hex (SST)	15
29	00-075621	Vent Stack Assy.	1
30	NS-036-12	Stop Nut ³ / ₈ -24 Elastic	1
31	SC-053-02	Mach. Screw 10-24 x ¹ / ₂ Truss Hd. (SST)	8
32	NS-031-15	Stop Nut 10-24 Hex (SST)	8
33	00-508453	Sealer	0
34	00-064919	Shaft – Damper	1
35	SC-021-11	Mach. Screw 6-32 x ³ / ₄ Rd. Hd.	3
36	NS-031-50	Stop Nut 6-32 Hex (SST)	3
37	00-075623	Damper – Vent Stack	1
38	00-274092-00001	Strut – Tank-to-Tank	2
39	SC-041-11	Cap Screw ⁵ / ₁₆ -18 x ³ / ₄ Hex Hd. (SST)	2
40	WL-006-23	Lockwasher ⁵ / ₁₆ Medium (SST)	4
41	NS-015-11	Nut ⁵ / ₁₆ -18 Hex	4
42	00-274091	Bracket – Strut Support	2
43	WS-017-08	Washer	2
44	NS-015-11	Nut ⁵ / ₁₆ -18 Hex	2
45	WL-006-23	Lockwasher ⁵ / ₁₆ Medium (SST)	2
46	SC-041-11	Cap Screw ⁵ / ₁₆ -18 x ³ / ₄ Hex Hd. (SST)	4

RS22A & AW SERIES PREWASH UNIT REPLACEMENT PARTS



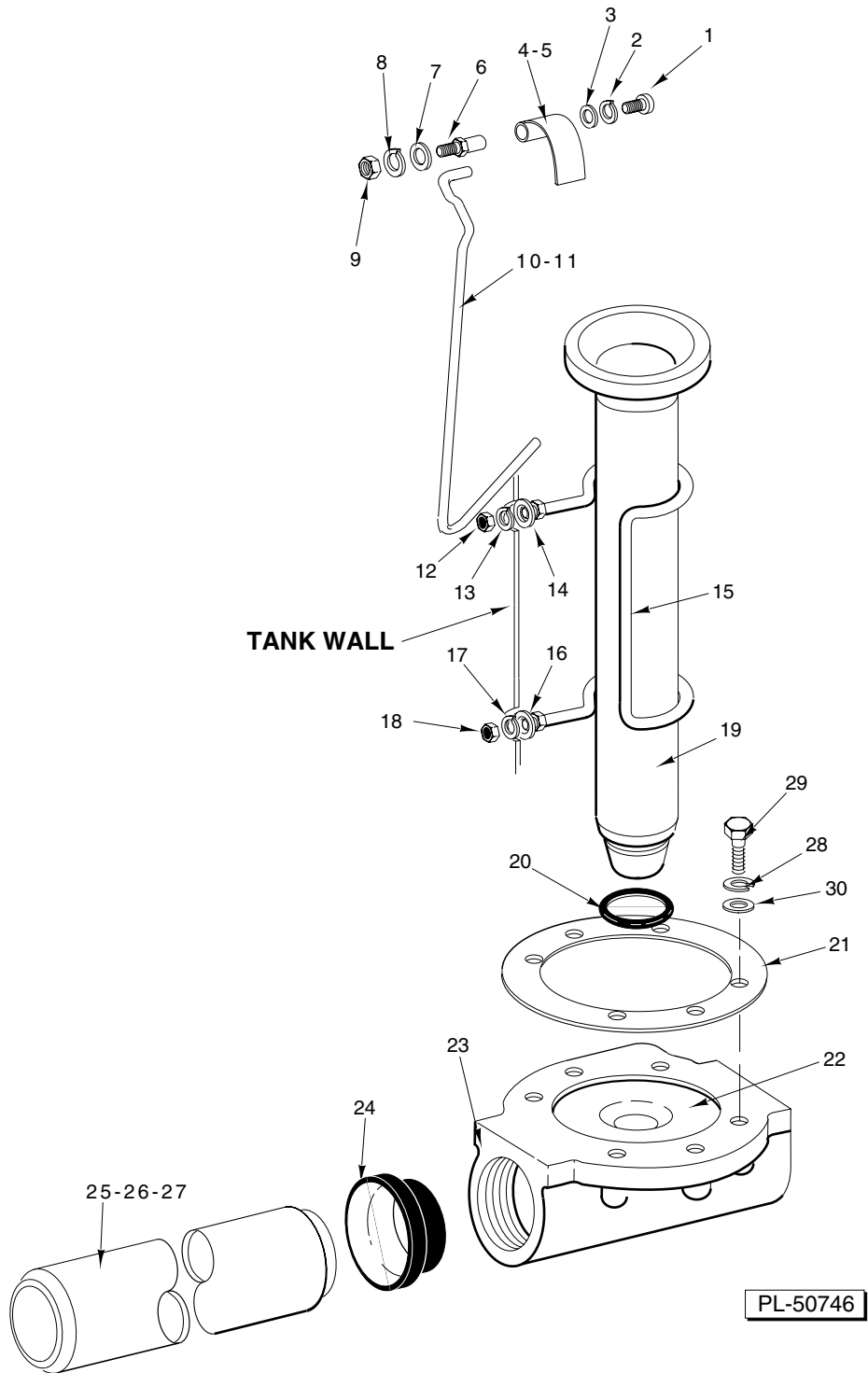
PREWASH ARMS AND TUBES

ILLUS.	PART NO.	NAME OF PART	AMT.
1	SC-125-85	Mach. Screw 1/4-20 x 5/8 Truss Hd. (SST)	2
2	WS-022-01	Washer	4
3	WL-006-17	Lockwasher 1/4 Medium	2

PREWASH ARMS AND TUBES

ILLUS.	PART NO.	NAME OF PART	AMT.
PL-55282			
4	NS-015-01	Nut 1/4-20 Hex (SST)	2
5	00-271026	Hanger – Upper Wash Arm	1
6	SC-041-11	Cap Screw 5/16-18 x 3/4 Hex Hd. (SST)	2
7	WS-017-01	Washer	2
8	WS-017-08	Washer	2
9	WL-006-23	Lockwasher 5/16 Medium (SST)	2
10	NS-015-11	Nut 5/16-18 Hex	2
11	00-271029	Guide – Upper Wash Arm	1
12	SC-053-42	Mach. Screw 1/4-20 x 5/8 Truss Hd. (SST)	1
13	WL-006-17	Lockwasher 1/4 Medium	1
14	NS-015-01	Nut 1/4-20 Hex (SST)	1
15	00-185732	Bracket	1
16	SC-041-05	Cap Screw 1/4-20 x 5/8 Hex Hd. (SST)	1
17	WS-022-01	Washer	1
18	WL-006-17	Lockwasher 1/4 Medium	1
19	NS-015-01	Nut 1/4-20 Hex (SST)	1
20	00-289760	Latch	1
21	00-067500-00019	O-Ring	1
22	SC-041-01	Cap Screw 1/4-20 x 3/4 Hex Hd. (SST)	2
23	NS-031-19	Stop Nut 1/4-20 Elastic (SST)	2
24	00-274135	Wash Pipe (R-L) (26 1/8 Ht.)	1
25	00-274138	Wash Pipe (L-R) (26 1/8 Ht.)	1
26	00-274725	Wash Pipe (R-L) (32 1/8 Ht.)	1
27	00-274728	Wash Pipe (L-R) (32 1/8 Ht.)	1
28	00-274145	Wash Pipe (26 1/8 Ht.)	1
29	00-274726	Wash Pipe (32 1/8 Ht.)	1
30	00-475087	Plug – Wash Arm	3
31	00-270968	Gasket – Wash Pipe	1
32	SC-041-68	Cap Screw 5/16-18 x 1 7/8 Hex Hd. (SST)	4
33	WS-017-08	Washer	8
34	WL-006-23	Lockwasher 5/16 Medium (SST)	4
35	NS-015-11	Nut 5/16-18 Hex	4
36	00-274108-00002	Catch – Adjustable (R-L)	1
37	00-274108-00001	Catch – Adjustable (L-R)	1
38	NS-015-11	Nut 5/16-18 Hex	2
39	WL-006-23	Lockwasher 5/16 Medium (SST)	2
40	WS-017-08	Washer	2
41	SC-041-11	Cap Screw 5/16-18 x 3/4 Hex Hd. (SST)	2
42	00-274222	Support – Adjustable	1
43	NS-015-11	Nut 5/16-18 Hex	2
44	WL-006-23	Lockwasher 5/16 Medium (SST)	2
45	WS-017-08	Washer	2
46	SC-041-11	Cap Screw 5/16-18 x 3/4 Hex Hd. (SST)	2
47	SC-041-01	Cap Screw 1/4-20 x 3/4 Hex Hd. (SST)	1
48	WS-022-01	Washer	2
49	WL-006-17	Lockwasher 1/4 Medium	1
50	NS-015-01	Nut 1/4-20 Hex (SST)	1
51	00-812821	Bracket	1
52	WS-017-08	Washer	2
53	WL-006-23	Lockwasher 5/16 Medium (SST)	2
54	NS-015-11	Nut 5/16-18 Hex	2
*55	00-274136	Wash Arm – Upper (R-L)	1
*56	00-274130	Wash Arm – Upper (L-R)	1
*57	00-274131	Wash Arm – Lower (R-L)	1
*58	00-274155	Wash Arm – Lower (L-R)	1
59	00-067500-00110	O-Ring	1
60	00-749426	Wash Arm – Upper (R-L)	1
61	00-749425	Wash Arm – Upper (L-R)	1
62	00-749424	Wash Arm – Lower (R-L)	1
63	00-749423	Wash Arm – Lower (L-R)	1
64	00-067500-00127	O-Ring	3
65	00-475589	Plug – Wash Arm	3

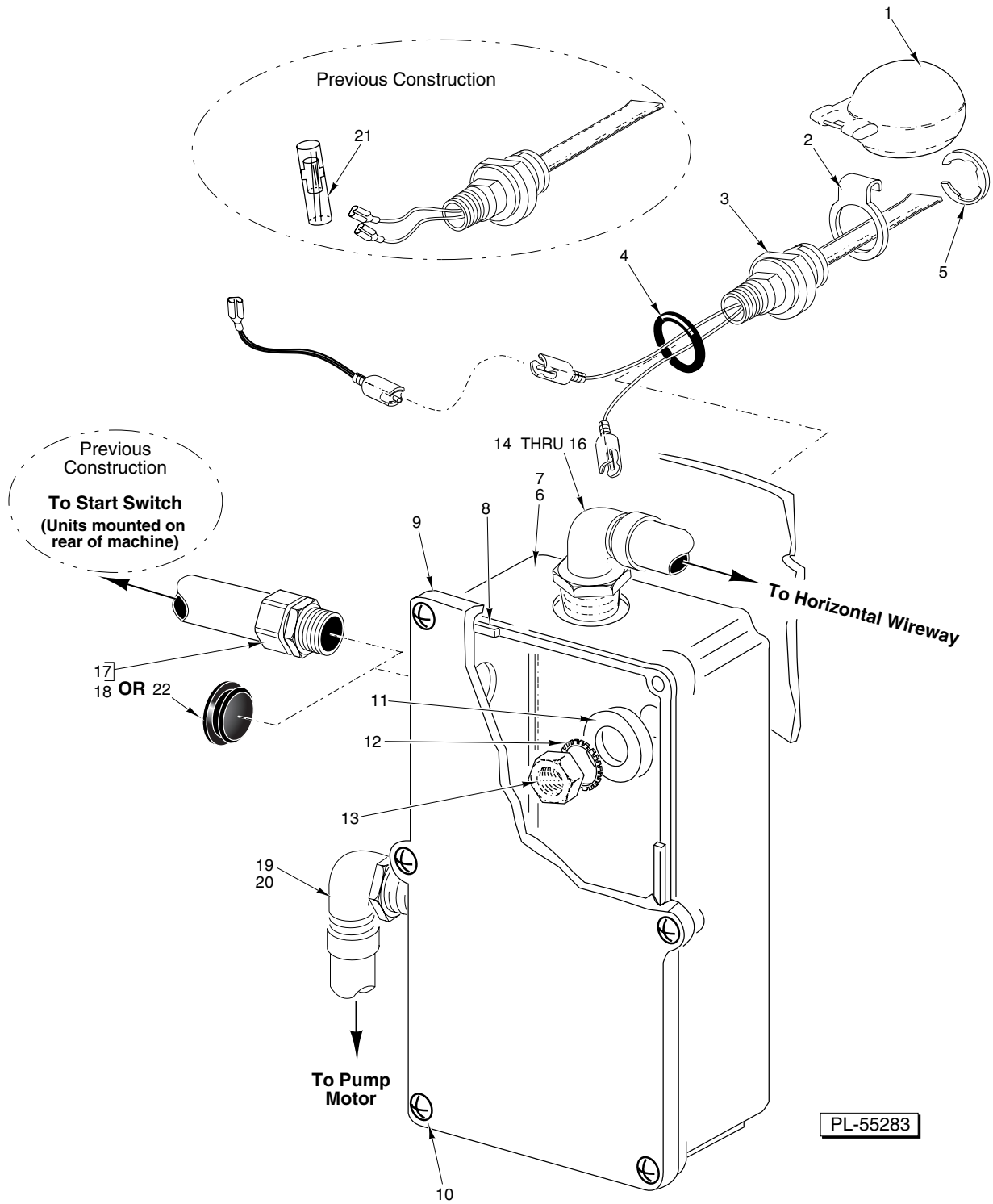
*Obsolete part number. For replacement use, item 60, 61, 62, or 63 with items 64 and 65.



DRAIN

DRAIN

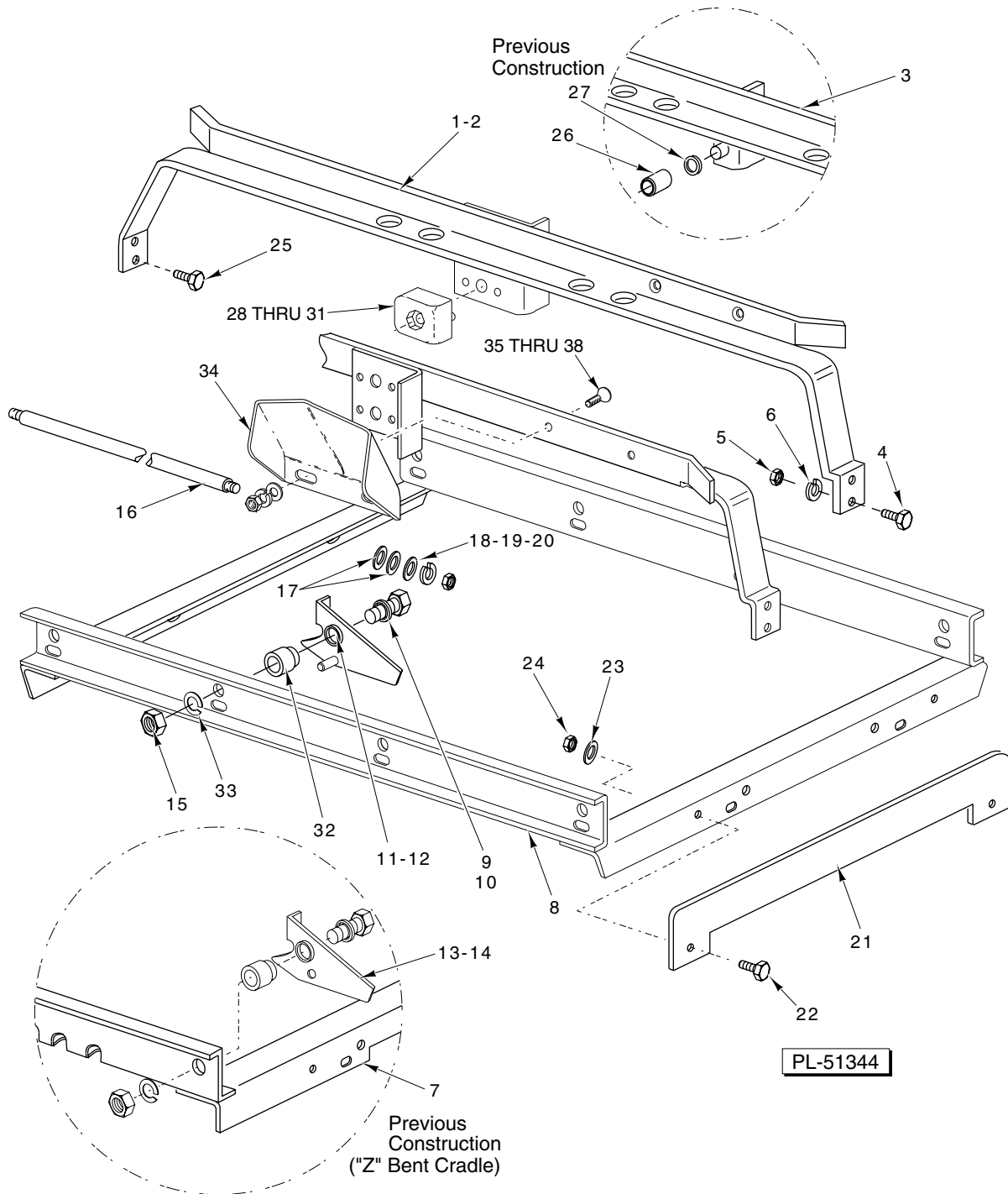
ILLUS.	PART NO.	NAME OF PART	AMT.
PL-50746			
1	SC-021-22	Mach. Screw 10-24 x $\frac{3}{8}$ Rd. Hd. (SST)	1
2	WL-006-07	Lockwasher #10 Medium	1
3	WS-023-34	Washer	1
4	00-274096	Drain Lever (R-L)	1
5	00-271070	Drain Lever (L-R)	1
6	00-119116	Axle – Drain Lever	1
7	WS-022-01	Washer	1
8	WL-006-17	Lockwasher $\frac{1}{4}$ Medium	1
9	NS-015-01	Nut $\frac{1}{4}$ -20 Hex (SST)	1
10	00-274080	Lift Rod Overflow (R-L)	1
11	00-274079	Lift Rod Overflow (L-R)	1
12	NS-015-11	Nut $\frac{5}{16}$ -18 Hex	2
13	WL-006-23	Lockwasher $\frac{5}{16}$ Medium (SST)	1
14	WS-017-01	Washer	2
15	00-270952	Retainer	1
16	WS-017-01	Washer	2
17	WL-006-23	Lockwasher $\frac{5}{16}$ Medium (SST)	1
18	NS-015-11	Nut $\frac{5}{16}$ -18 Hex	2
19	00-119099-00002	Tube – Overflow	1
20	00-067500-00120	O-Ring	1
21	00-289464	Gasket – Drain	1
22	00-270947	Sleeve – Drain Body	1
23	00-289465	Drain Body	1
24	00-328813	Bushing – Drain	AR
25	00-274132-00001	Pipe – Drain (R-L) (CRS66A/AW, CRS76A, & CRS110A)	1
26	00-274132-00002	Pipe – Drain (L-R) (CRS66A/AW, CRS76A, & CRS110A)	1
27	00-274132-00006	Pipe – Drain (CRS86A)	1
28	WL-006-28	Lockwasher $\frac{3}{8}$ Medium	6
29	SC-041-28	Cap Screw $\frac{3}{8}$ -16 x $\frac{3}{4}$ Hex Hd.	6
30	WS-006-44	Washer	6



WATER LEVEL FLOATS

WATER LEVEL FLOATS

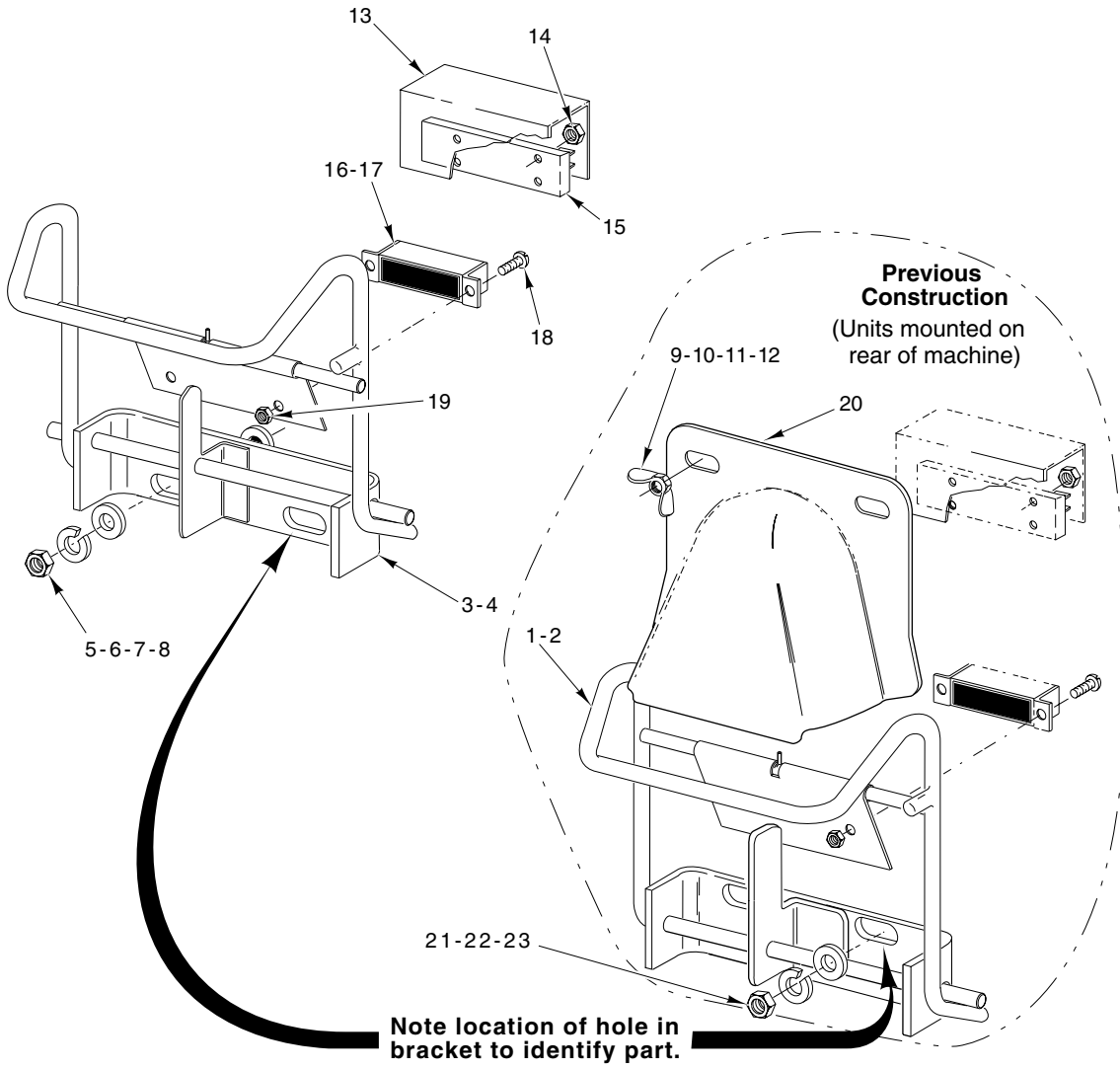
ILLUS.	PART NO.	NAME OF PART	AMT.
PL-55283			
1	00-122674	Float Assy.	2
2	00-112467	Retainer – Float	2
3	00-328495	Switch & Probe Assy. (Includes Items 1, 2, & 5) (Must Order 2 Jumper Wires, Part #328758)	2
4	00-067500-00072	O-Ring	2
5	RR-010-13	Retaining Ring	2
6	00-274224	Box – Probe (R-L)	1
7	00-274097	Box – Probe (L-R)	1
8	00-112005	Gasket (Lid)	1
9	00-289146-00001	Lid & Gasket Assy. (Incls. Item 8)	1
10	SD-012-20	Self-Tapping Screw 8-32 x 1/2 Phil. Truss Hd., Type T	6
11	WS-010-40	Washer – Thrust	2
12	WL-014-31	Lockwasher 1/2 External Shakeproof (SST)	2
13	NS-018-28	Jam Nut 1/2-20 Hex	2
14	FE-024-58	Connector – Straight (Non-Metallic) Sealtite (3/4 Male Thd. x 3/4 Flex. Cnd.)	1
15	FE-024-66	Connector – 90 Deg. (Non-Metallic) Sealtite (3/4 Male Thd. x 3/4 Flex. Cnd.)	1
16	FE-008-11	Gasket – Electrical	AR
17	FE-024-57	Connector – Straight (Non-Metallic) Sealtite (1/2 Male Thd. x 1/2 Flex. Cnd.)	2
18	FE-008-10	1/2 Gasket Assy.	AR
19	FE-024-61	Connector 1/2 x 45 Deg. (Non-Metallic) Sealtite (1/2 Male Thd. x 1/2 Flex. Cnd.)	2
20	FE-008-10	1/2 Gasket Assy.	2
21	00-065890-00085	Line – Splice	AR
22	PB-004-08	Plug – Button 7/8 (Heyco 2703)	1



TRACK AND CRADLE

TRACK AND CRADLE

ILLUS. PL-51344	PART NO.	NAME OF PART	AMT.
1	00-436870-00001	Rack Track (Rear, R-L; Front, L-R)	1
2	00-436871-00001	Rack Track (Rear, L-R; Front, R-L)	1
3	—	Rack Track (Not Available) (Order One of * Below)	2
4	SC-041-11	Cap Screw $\frac{5}{16}$ -18 x $\frac{3}{4}$ Hex Hd. (SST)	4
5	NS-015-11	Nut $\frac{5}{16}$ -18 Hex	8
6	WL-006-23	Lockwasher $\frac{5}{16}$ Medium (SST)	8
7	—	Cradle (Not Available) (Order One of * and ** Below)	AR
8	00-436931	Cradle	1
9	SC-041-31	Cap Screw $\frac{3}{8}$ -16 x $1\frac{1}{4}$ Hex Hd.	4
10	WS-018-04	Washer	4
11	00-436704-00001	Dog (Front R-L) (Rear L-R)	2
12	00-436704-00002	Dog (Front L-R) (Rear R-L)	2
13	00-436703-00001	Dog (Front R-L) (Rear L-R) (Service for "Z" Bent Cradles Only)	2
14	00-436703-00002	Dog (Front L-R) (Rear R-L) (Service for "Z" Bent Cradles Only)	2
15	NS-046-09	Stop Nut $\frac{3}{8}$ -16 Elastic	4
16	00-274559	Screw – Connecting	2
17	WS-029-74	Washer	8
18	WS-017-01	Washer	4
19	WL-006-23	Lockwasher $\frac{5}{16}$ Medium (SST)	4
20	NS-015-11	Nut $\frac{5}{16}$ -18 Hex	4
21	00-271012	Baffle – Cradle Upper	AR
22	SC-041-10	Cap Screw $\frac{5}{16}$ -18 x $\frac{5}{8}$ Hex Hd.	AR
23	WL-006-23	Lockwasher $\frac{5}{16}$ Medium (SST)	AR
24	NS-015-11	Nut $\frac{5}{16}$ -18 Hex	AR
25	SC-041-12	Cap Screw $\frac{5}{16}$ -18 x $\frac{7}{8}$ Hex Hd.	4
26	00-270977	Roller	2
27	WS-018-04	Washer	2
28	00-473232	Slider – Small	2
29	SC-041-15	Cap Screw $\frac{5}{16}$ -18 x $1\frac{1}{4}$ Hex Hd.	2
30	WL-006-23	Lockwasher $\frac{5}{16}$ Medium (SST)	2
31	NS-015-11	Nut $\frac{5}{16}$ -18 Hex	2
32	00-270983	Spacer	4
33	WL-006-28	Lockwasher $\frac{3}{8}$ Medium	4
34	00-437047	Deflector – Silverware	1
35	SC-022-39	Mach. Screw $\frac{1}{4}$ -20 x $\frac{5}{8}$ Flat Hd.	2
36	WS-003-47	Washer	2
37	WL-006-17	Lockwasher $\frac{1}{4}$ Medium	2
38	NS-015-01	Nut $\frac{1}{4}$ -20 Hex (SST)	2
*	00-436971	Rack Track Assy. (Rear R-L) (Front L-R) (Incls. Items 1 & 28 thru 31)	1
*	00-436972	Rack Track Assy. (Rear L-R) (Front R-L) (Incls. Items 2 & 28 thru 31)	1
**	00-436930-00001	Cradle & Dog Assy. (Incls. Items 8 thru 12, 15, 32, & 33)	1

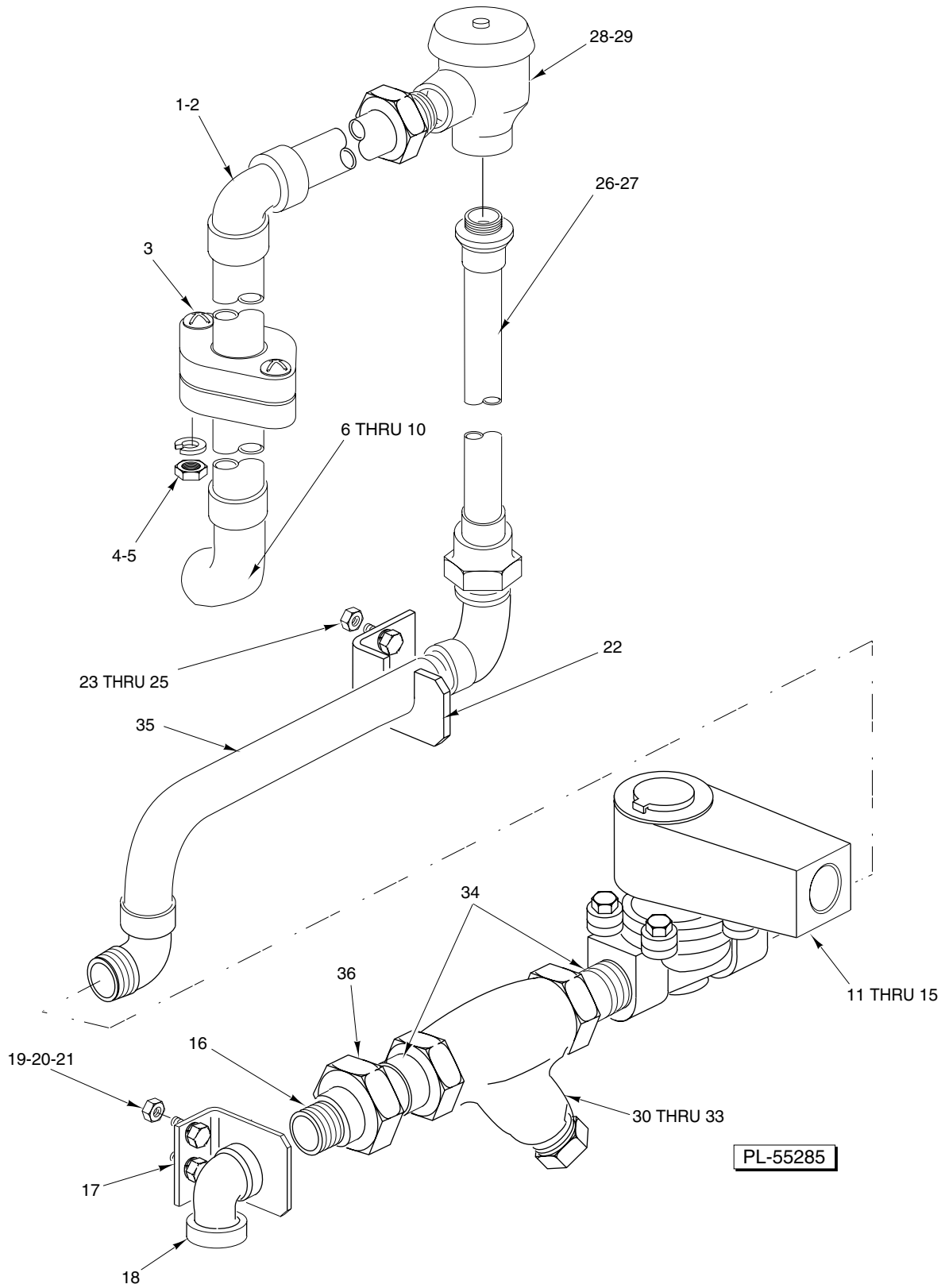


PL-55284

ACTUATOR MECHANISM

ACTUATOR MECHANISM

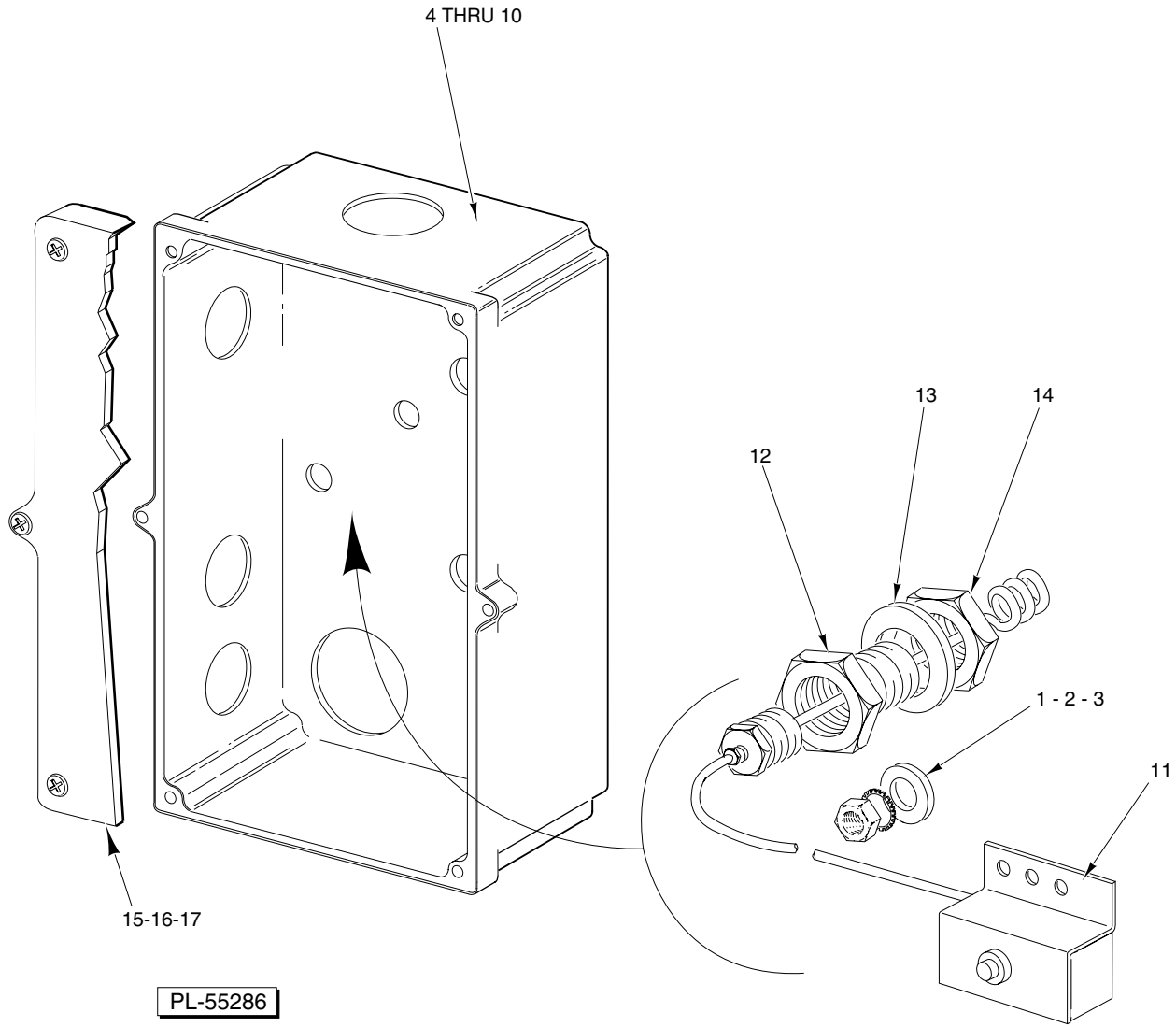
ILLUS.	PART NO.	NAME OF PART	AMT.
PL-55284			
1	00-435809	Actuator (Rear R-L)	1
2	00-435808	Actuator (Rear L-R)	1
3	00-436955	Actuator (Front R-L)	1
4	00-436027	Actuator (Front L-R)	1
5	WL-006-23	Lockwasher ⁵ / ₁₆ Medium (SST)	2
6	WS-017-08	Washer	2
7	WS-029-05	Washer	2
8	NS-015-11	Nut ⁵ / ₁₆ -18 Hex	2
9	NS-029-01	Wing Nut ¹ / ₄ -20	2
10	WS-006-17	Washer	2
11	WS-017-06	Washer	2
12	SC-053-42	Mach. Screw ¹ / ₄ -20 x ⁵ / ₈ Truss Hd. (SST)	AR
13	00-270996	Insulator – Switch	1
14	NS-031-50	Stop Nut 6-32 Hex (SST)	2
15	00-749347	Switch – Reed Encapsulated	1
16	00-290160	Magnet (Dot Toward Switch)	1
17	00-290159	Retainer – Magnet	1
18	SC-127-26	Mach. Screw 6-32 x ³ / ₈ Rd. Hd. (SST)	2
19	NS-031-50	Stop Nut 6-32 Hex (SST)	2
20	00-436835	Shroud	1
21	WL-006-23	Lockwasher ⁵ / ₁₆ Medium (SST)	2
22	WS-017-08	Washer	2
23	NS-015-11	Nut ⁵ / ₁₆ -18 Hex	2



PREWASH TEMPERATURE CONTROL - PIPING

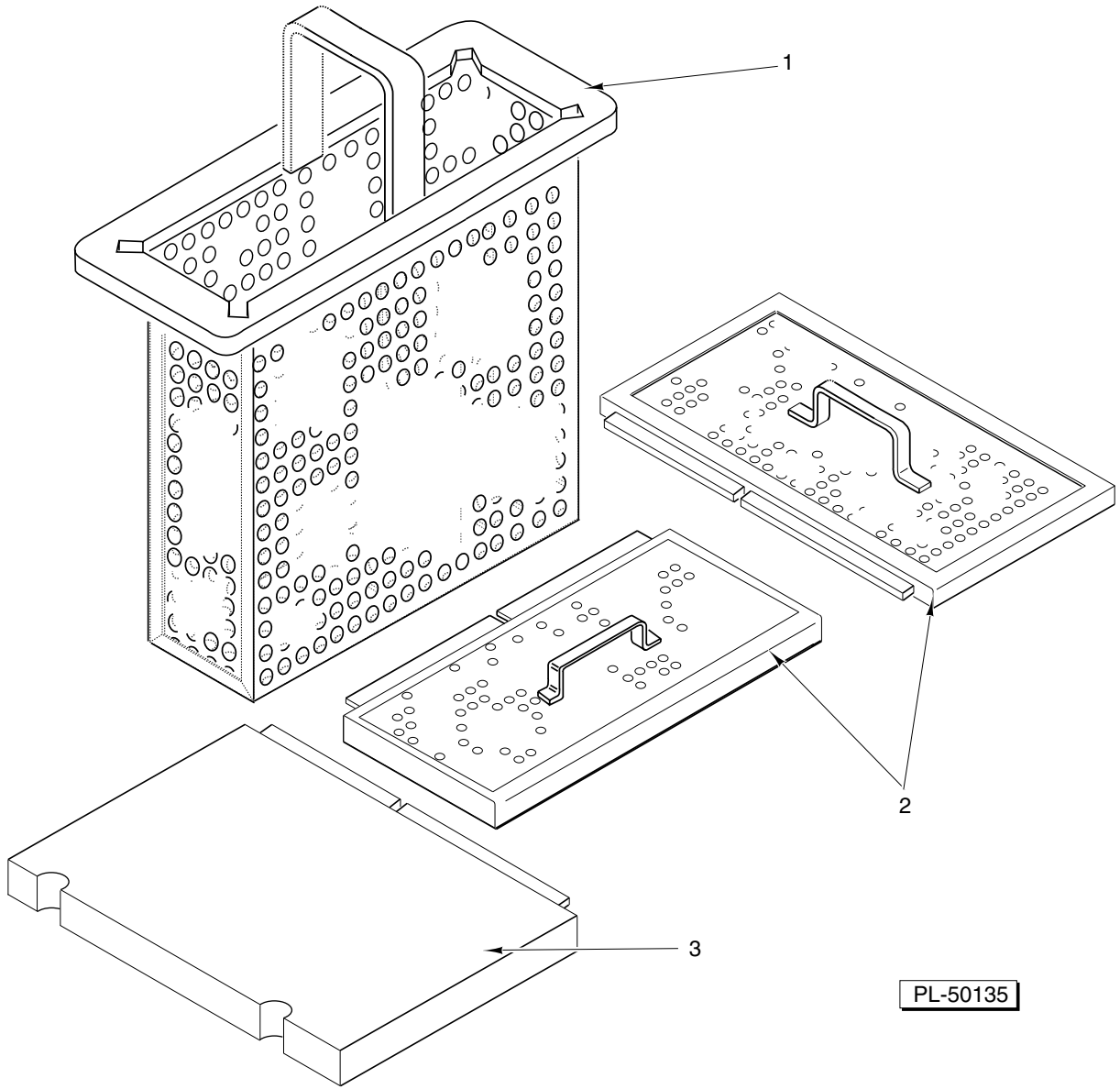
PREWASH TEMPERATURE CONTROL – PIPING

ILLUS. PL-55285	PART NO.	NAME OF PART	AMT.
1	00-274486	Piping – Upper Prewash.....	1
2	00-276407	Gasket – Rinse Pipe	1
3	SC-128-07	Mach. Screw $\frac{5}{16}$ -18 x $1\frac{1}{4}$ Rd. Hd. (SST)	2
4	WL-006-22	Lockwasher $\frac{5}{16}$ Light	2
5	NS-015-11	Nut $\frac{5}{16}$ -18 Hex	2
6	00-289971-00001	Inside Fill Pipe Assy. (L-R) (CRS86A & CRS110A)	1
7	00-289971-00002	Inside Fill Pipe Assy. (R-L) (CRS86A & CRS110A)	1
8	00-812779-00001	Inside Fill Pipe Assy. (L-R) (CRS66A/AW & CRS76A)	1
9	00-812779-00002	Inside Fill Pipe Assy. (R-L) (CRS66A/AW & CRS76A)	1
10	00-067500-00013	O-Ring	1
11	00-270329-00002	Valve – Solenoid 240 V. (CRS66A/AW W/O Pilot Circuit) (Incls. Items 12 & 15)	1
12	00-270318-00002	Coil – Solenoid Valve (240 V.)	1
13	00-270329-00001	Valve – Solenoid 120 V. (Incls. Items 14 & 15)	1
14	00-270318-00001	Coil – Solenoid Valve (120 V.)	1
15	00-270336	Service Kit – Solenoid Valve	1
16	FP-041-55	Pipe $\frac{3}{4}$ x $2\frac{1}{8}$ Brass	1
17	00-435797	Bracket – Piping	1
18	FP-015-23	Elbow – Pipe $\frac{3}{4}$ x 90 Deg. (Brass)	1
19	SC-041-10	Cap Screw $\frac{5}{16}$ -18 x $\frac{5}{8}$ Hex Hd.	2
20	WL-006-22	Lockwasher $\frac{5}{16}$ Light	2
21	NS-015-11	Nut $\frac{5}{16}$ -18 Hex	2
22	00-274481-00001	Bracket – Piping (R-L).....	1
23	SC-041-10	Cap Screw $\frac{5}{16}$ -18 x $\frac{5}{8}$ Hex Hd.	2
24	WL-006-22	Lockwasher $\frac{5}{16}$ Light	2
25	NS-015-11	Nut $\frac{5}{16}$ -18 Hex	2
26	00-292911-00003	Piping ($43\frac{3}{8}$).....	1
27	00-292911-00004	Piping ($49\frac{3}{8}$).....	1
28	00-292909-00002	Breaker – Vacuum $\frac{1}{2}$ (Incls. Item 29)	1
29	00-292910	Vacuum Breaker Float & Seal Assy.	1
30	00-186922	Strainer – Line $\frac{3}{4}$ Brass (Incls. Items 31, 32, & 33)	1
31	00-186923	Plug – Branch	1
32	00-186924	Gasket – Branch Plug	1
33	00-186925	Screen – Line Strainer.....	1
34	FP-041-50	Pipe $\frac{3}{4}$ x $1\frac{3}{8}$ TBE (Brass)	2
35	00-274484	Piping – Lower	1
36	FP-022-18	Union – Pipe $\frac{3}{4}$ Straight Female (Brass)	1



PREWASH TEMPERATURE CONTROL – ELECTRICAL

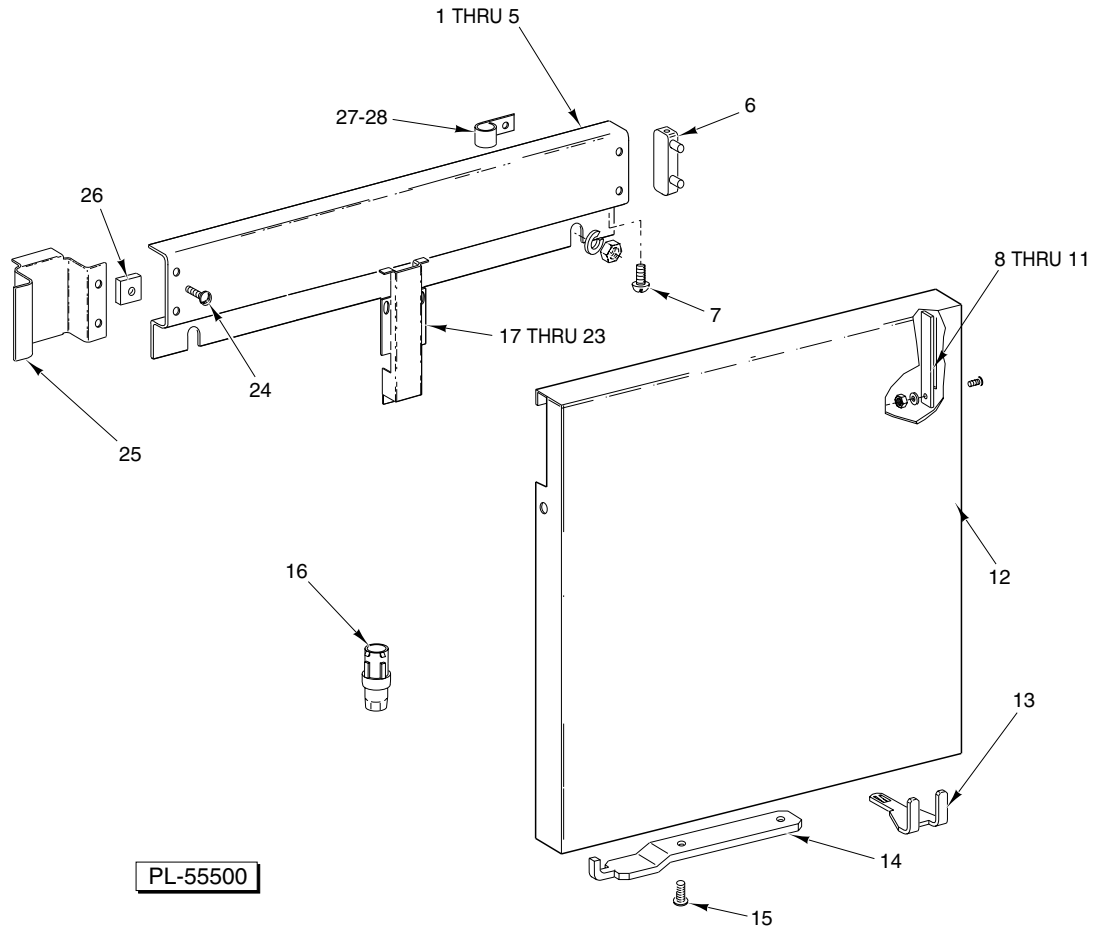
ILLUS.	PART NO.	NAME OF PART	AMT.
PL-55286			
1	NS-011-18	Mach. Nut 10-24 Hex (SST)	2
2	WL-006-07	Lockwasher #10 Medium	2
3	WS-019-06	Washer	2
4	00-274253	Box – Float & Probe (R-L) (Previous Construction)	1
5	00-274254	Box – Float & Probe (L-R) (Previous Construction)	1
6	00-749116	Box – Float & Probe (R-L)	1
7	00-749115	Box – Float & Probe (L-R)	1
8	FE-007-03	Connector – 90 Deg. “Sealtite” (1/2 Male Thd. x 3/8 Flex. Cnd.)	1
9	FE-007-01	Connector – Straight “Sealtite” (1/2 Male Thd. x 3/8 Flex. Cnd.)	1
10	FE-008-10	1/2 Gasket Assy.	1
11	00-294681-021-1	Thermostat – Tank Heat	1
12	00-079531	Adapter – Tank	1
13	WS-012-40	Washer	1
14	FP-053-05	Pipe Locknut 1/2 NPSL (SST)	1
15	00-289146-00001	Lid & Gasket Assy. (Incls. Item 16)	1
16	00-112005	Gasket (Lid)	1
17	SD-012-20	Self-Tapping Screw 8-32 x 1/2 Phil. Truss Hd., Type T	6



BUCKET AND STRAINER PANS

ILLUS.	PART NO.	NAME OF PART	AMT.
1	00-271878	Bucket – Strainer	1
2	00-271880	Strainer	2
3	00-274143	Cover – Overflow	1

RS22A & AW SERIES PREWASH UNIT REPLACEMENT PARTS



MISCELLANEOUS

ILLUS.	PART NO.	NAME OF PART	AMT.
PL-55500			
1	00-274123-00001	Wireway – Horizontal (Front R-L) or (Rear L-R, Prior Construction)	1
2	00-274123-00002	Wireway – Horizontal (Front L-R) or (Rear R-L, Prior Construction)	1
3	WS-017-06	Washer	AR
4	NS-015-01	Nut 1/4-20 Hex (SST)	AR
5	NS-015-01	Nut 1/4-20 Hex (SST)	AR
6	00-271057	Cap – Wireway	AR
7	SD-007-38	Self-Tapping Screw 8 x 1/4 Phil. Bind Hd., Type B	AR
8	00-436888	Cover – Panel Notch	AR
9	WS-019-06	Washer	AR
10	NS-031-16	Stop Nut 10-24 Hex (SST)	AR
11	SC-053-05	Mach. Screw 10-24 x 3/8 Truss Hd., Slotted	AR
12	00-436831-00001	Panel – Front Trim	1
13	00-271061	Support	1
14	00-289771	Retainer – Panel	1
15	SC-053-02	Mach. Screw 10-24 x 1/2 Truss Hd. (SST)	2
16	00-288946-00002	Foot – Adjustable (1 1/2 to 2 3/4)	2
17	00-271055	Wireway – Vertical	AR
18	SC-021-22	Mach. Screw 10-24 x 3/8 Rd. Hd. (SST)	AR
19	WL-006-07	Lockwasher #10 Medium	AR
20	WS-017-06	Washer	AR
21	WL-006-17	Lockwasher 1/4 Medium	AR
22	NS-015-01	Nut 1/4-20 Hex (SST)	AR
23	WS-019-19	Washer	AR
24	SC-021-03	Mach. Screw 4-40 x 3/8 Rd. Hd. (SST)	2
25	00-274252	Wire – Raceway	1
26	00-072937	Speed Nut 4-40	2
27	00-294677-00003	Clamp – Wire (3/4 I.D.)	2
28	NS-047-94	Lock Nut 3/16 Stud Special	2