



FEATURES FTN

EFFICIENT - RELIABLE - INNOVATIVE





ECONOMY

EFFICIENT - RELIABLE - INNOVATIVE



Reduced Exhaust

The water flow decisively influences the heat balance of the machine.

The wash system **CONTACT-PLUS** in the FTN comprises 6 wash arms above and 5 wash arms below.

The optimized configuration and orientation of the wash arms above and below – in combination with the new FAN wide angle nozzle – reduces the movement of air in the machine and consequently also the volume of exhaust.

The up to 20 per cent reduced volume of outgoing air remains as heat in the machine, reducing the fresh air intake in the room according to VDI 2052.



**PATENT
P E N D I N G**

Detergent saving system LOW-CHEM

Cleaning chemicals added directly into the wash tank. The detergent suds is continuously regenerated by the fresh water from the clear rinse. Detergents are subsequently dosed for the fresh water supply.

The enhanced **LOW-CHEM Detergent saving System** directs 120 litres of fresh water for regeneration of the detergent solution into the wash tank. Via the RADIUS pre-rinse nozzle, detergent solution from the wash items is already rinsed off in advance and returned via diverters into the wash tank.

Dosing of the detergent depends on the regeneration water volume. So the **LOW-CHEM Detergent saving System** reduces cleaning agent consumption by up to 55% compared with conventional systems.



PATENT

Fresh Water Rinse

The task of the fresh water rinsing is to remove detergent from the wash ware. The distribution of the fresh water is decisive for the water volume used.

The **Fresh Water Rinse** has special precision nozzles, which disperses the rinse water like a curtain and forms a thin film of water on the wash ware. As a result of the optimized water distribution this micro-thin film is sufficient to rinse off the suds from the wash ware. In addition to the conventional rinsing from above and below the Fresh Water Rinse rinses the wash ware also laterally. The optimized arrangement of the nozzles enables a precise spraying of the wash ware.

The Fresh Water Rinse reduces the necessary fresh water volume by up to 50% compared to the market standard. As a result the consumption of rinsing aid and energy is reduced accordingly.



**PATENT
P E N D I N G**



WASHING PERFORMANCE

EFFICIENT - RELIABLE - INNOVATIVE



Rinse TRI

The HOBART triple rinse comprises the RADIUS pre-rinse nozzle, pump rinse and fresh water rinse.

The new RADIUS pre-rinse nozzle is ranged in front of the pump rinsing. It rinses the detergent solution from the wash ware. The detergent solution is led back via diverters into the wash tank. The cleaning agent concentration in the subsequent pump clear rinsing is minimized.



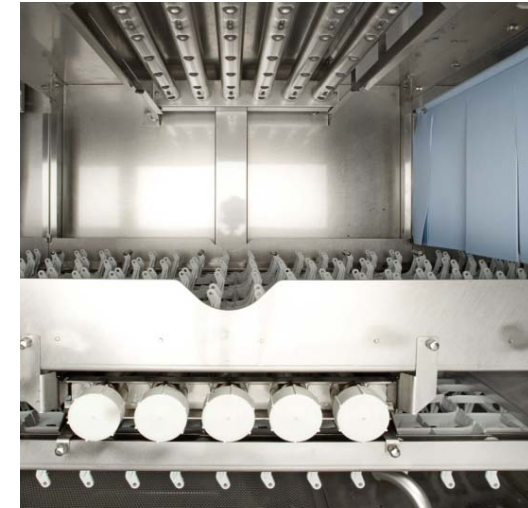
PATENT

Wash System CONTACT-PLUS

Besides the temperature, the main factor for the cleaning result is the impact with detergent solution via the wash arms .

The precision of the **FAN wide angle nozzles** makes it possible to reduce the distances between the wash arms. The wash arms are located very close one to another and so achieving full cleaning performance. In connection with the 65% wider wash jet the new configuration of the FAN wide angle nozzles washes items three times per wash arm.

The 11 wash arms of the new **CONTACT-PLUS** wash system guarantee an optimal washing result.



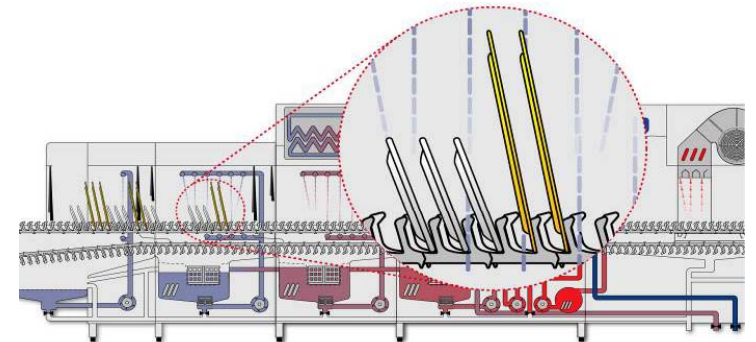
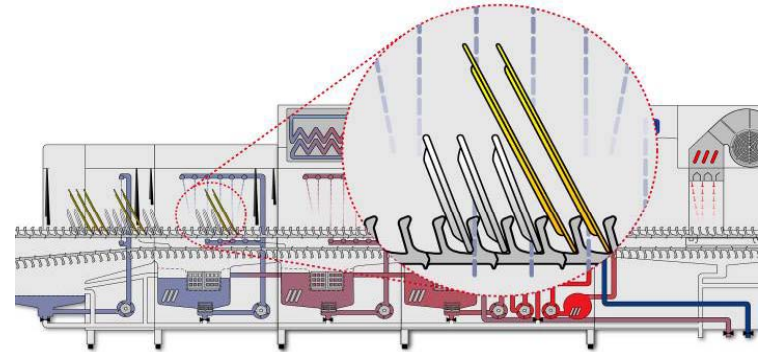
**PATENT
P E N D I N G**

Conveyor belt FREEFLOW

The position of the wash items in the machine influences whether the suds is directly sprayed on the wash ware. A tray may shield a following plate which is then moistened with suds only via reflex water.

The new **FREEFLOW conveyor belt** avoids spray shadow. The water directly impacts every wash ware.

The **FREEFLOW conveyor belt** optimizes cleaning performance when inhomogeneous items are loaded.



PATENT

Dryer GUIDEDAIR

Conventional drying systems blow warm air from above on to the item being dried. The air is reflected uncontrolled from below to above.

The **GUIDEDAIR** dryer leads the air directly on the wash ware via channels and nozzles from above, below and side .

The **GUIDEDAIR** dryer guarantees a perfect drying result also for hollow items such as cups, bowls and glasses.



PATENT



RELIABILITY

EFFICIENT - RELIABLE - INNOVATIVE



Wash arms

The wash arms and nozzles are entirely made of stainless steel and withstand extreme requirements.

Wash pump casing

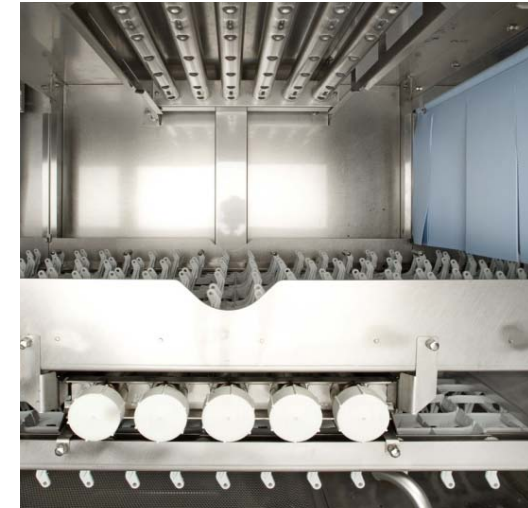
The wash pump is the most stressed component in a conveyor dishwasher.

The pump housing and pump driver are made of stainless steel, which increases life-cycle of a machine.



Conveyor belt track

Robust materials prove their worth especially at peak periods. For example, the conveyor belt guide rails made of stainless steel are designed to withstand maximum strain.



Conveyor belt

The conveyor belt is mostly stressed in the feeding section of the machine. The high material strength of the fingers and 8 mm stainless steel axis ensure extremely high stability and durability.





HANDLING

EFFICIENT - RELIABLE - INNOVATIVE



Cleaning Assistant SUPPORT

comprising

- 360DEGREES cleaning manager
- Bayonet catch
- Alligator flap
- Completely deep drawn washing tanks
- 1-part strainer
- 150mm floor clearance
- Mono-block condenser
- Panorama door



CLEANING ASSISTANT SUPPORT

Cleaning Manager 360DEGREES

The 360 degree nozzles inside on the rear wall of each wash module enhance the cleaning of the machine. With an unrestricted spray pattern – at an angle of 360° – the fresh water also reaches places with restricted accessibility from outside.

The optional 360DEGREES cleaning manager facilitates easier and faster cleaning of the machine.

Bayonet wash arm catch

The wash arms are easy to open and close.



Cleaning Assistant SUPPORT

Foldable intake

Most of the food waste occurs in the feeding section of the machine. The upward folding entry cover ensures convenient accessibility and easy cleaning. Operators do not have to fumble with removing coverings.

Deep drawn drain element

Dirt is directed via beading to a central point and into the drain. This prevents dirt accumulation in the tank.

Wash arms

The wash systems are easy to remove and to insert due to a drawer mechanism.



Cleaning Assistant SUPPORT

Completely deep drawn tank

The tank sump and tank bottom are deep drawn from one single part.

There are no corners and edges or weld seams where dirt could accumulate. This optimizes cleaning and hygiene.



Distance between belt and body

Easy accessibility, even in confined areas.



Cleaning Assistant SUPPORT

Strainer drawer in intake

In case of very high dirt accumulation fast cleaning is possible by simply removing the drawer from the outside – without stopping the machine. Overflow is prevented by a high-sided drawer which holds a large capacity.



Condenser

Optimal accessibility for water spraying – by simply removing the front covering.



Handling Assistant EASY

featuring

- Coding of wash and rinse arms
- Coding of curtains
- Drop-In wash arms
- ProTronic



Handling Assistant EASY

SMARTRONIC / PROTRONIC control

Switch on/off – all other functions are automatically assumed by the control.



Drop-In wash system

Just take out and insert!



Handling Assistant EASY

Coded wash and rinse arms

The wash and rinse arms are clearly designed to prevent risk of confusion when inserting.



Coded curtains

Easy to take out and insert. The curtains clearly designed to prevent confusion when inserting.





PROFI

EFFICIENT - RELIABLE - INNOVATIVE

