



POT- / UTENSILWASHER ECOMAX 702



Proprietary Information HOBART Confidential

Energy efficiency: double walled housing reduces heat radiation and noise

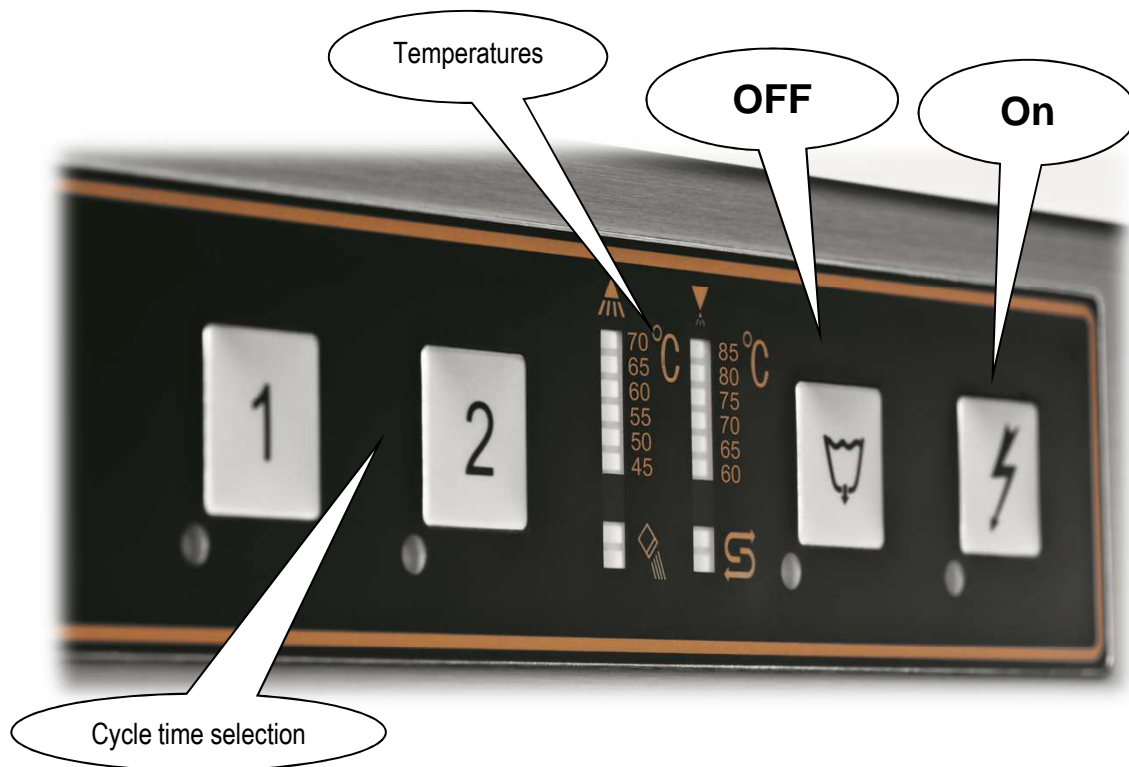
Ease of installation: all hoses and cables incl., automatic first fill

Ease of cleaning: 150mm floor clearance

Can load extra high trays and pots: up to 630 mm loading height

Visibility of correct temperature





Control

- Simple / Clear
- Easy to clean - flat surface of panel
- Easy service: e.g. setting of dispensers and softener on the panel
- Including temperature indication

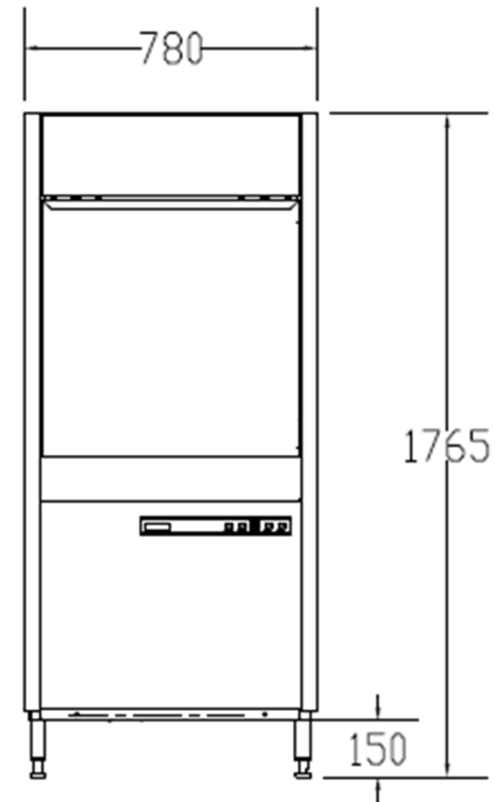
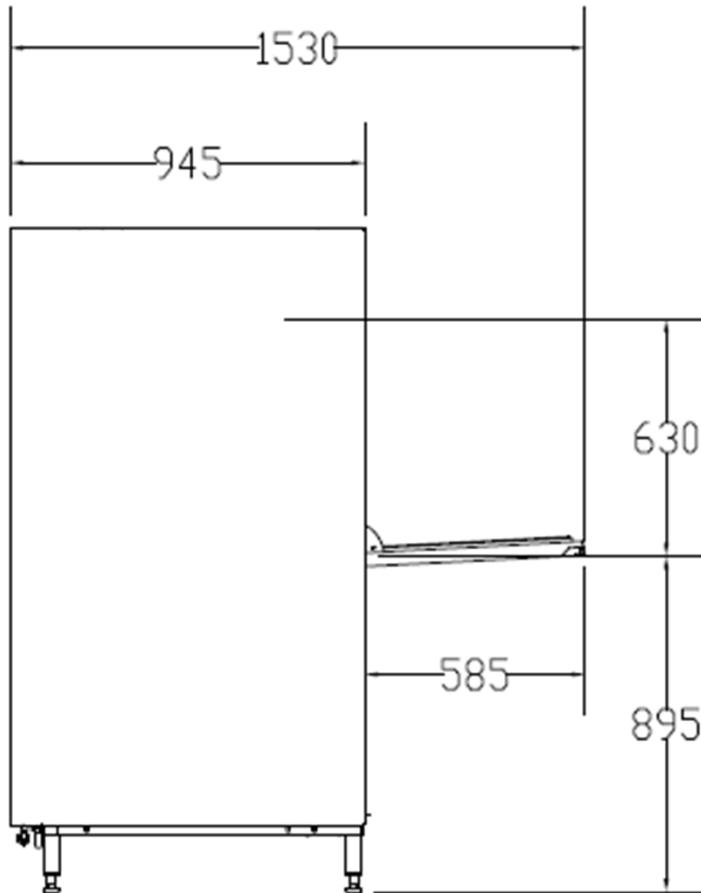
POWERFUL CLEANING

High water circulation realised with 4-wing-stainless steel arms on top and bottom, high performance wash pump, water filtering with stainless steel strainer, rinse pressure pump

Drain pump and chemical dispenser available as optional retrofit kits.



Dimensions



+/- 25mm by adjustable extension of feet

High Useable Loading Capacity

Width 665 mm

Height 630 mm

Depth 808mm



Racks/h	up to 30
Cycle times	120/360 s
Wash tank	80 l
Water consumption	4.5 l/cycle
Wash pump	2.9 kW
Booster heater	9 kW
Total load	11.9 kW / 3x20A
Standard voltage	400/50/3N

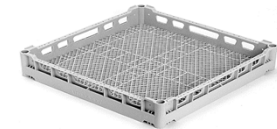
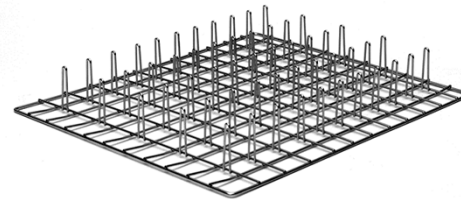


Racks

As option there is a variety of racks/inserts available to cover all kinds of customer requirements

e.g.

- flat base rack for pots/ pan etc
- insert for trays
- racks with narrow mesh to cover smaller items



EN-containers can be loaded directly on the standard rails in the machine



Any Questions ?



LOW PRICE – HIGH PERFORMANCE