



CATALOG OF REPLACEMENT PARTS



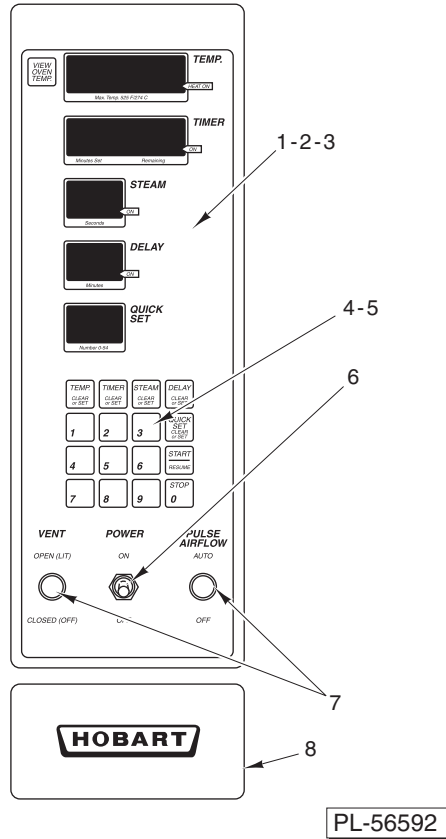
MINI RACK OVEN

HO300E

ML-132177

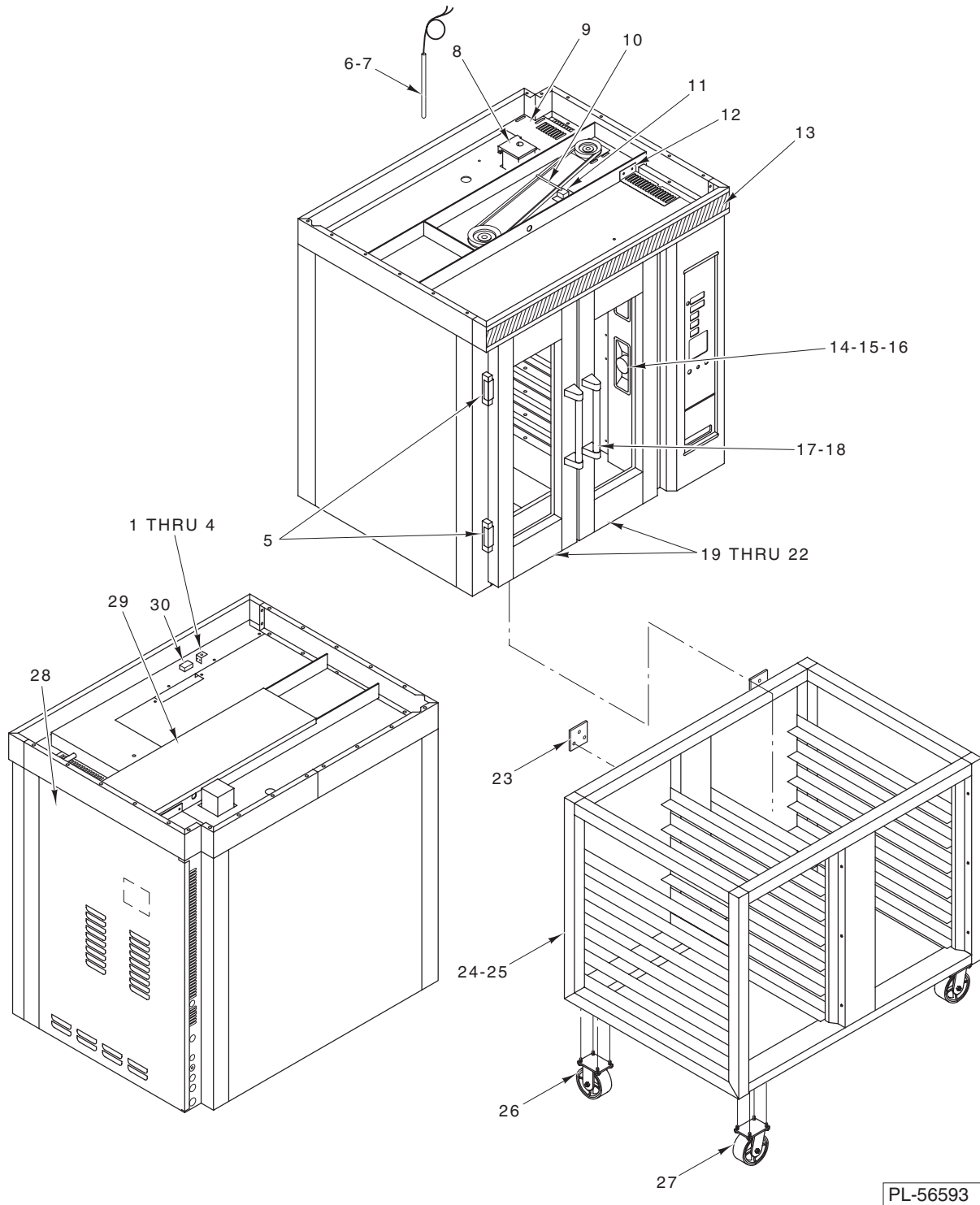
Table of Contents

Page	Description
3	Control Panel Assembly
5	Cabinet Unit
7	Rotator And Rack Assembly
9	Water/Steam Supply
11	Heating Elements and Air Circulation System



CONTROL PANEL ASSEMBLY

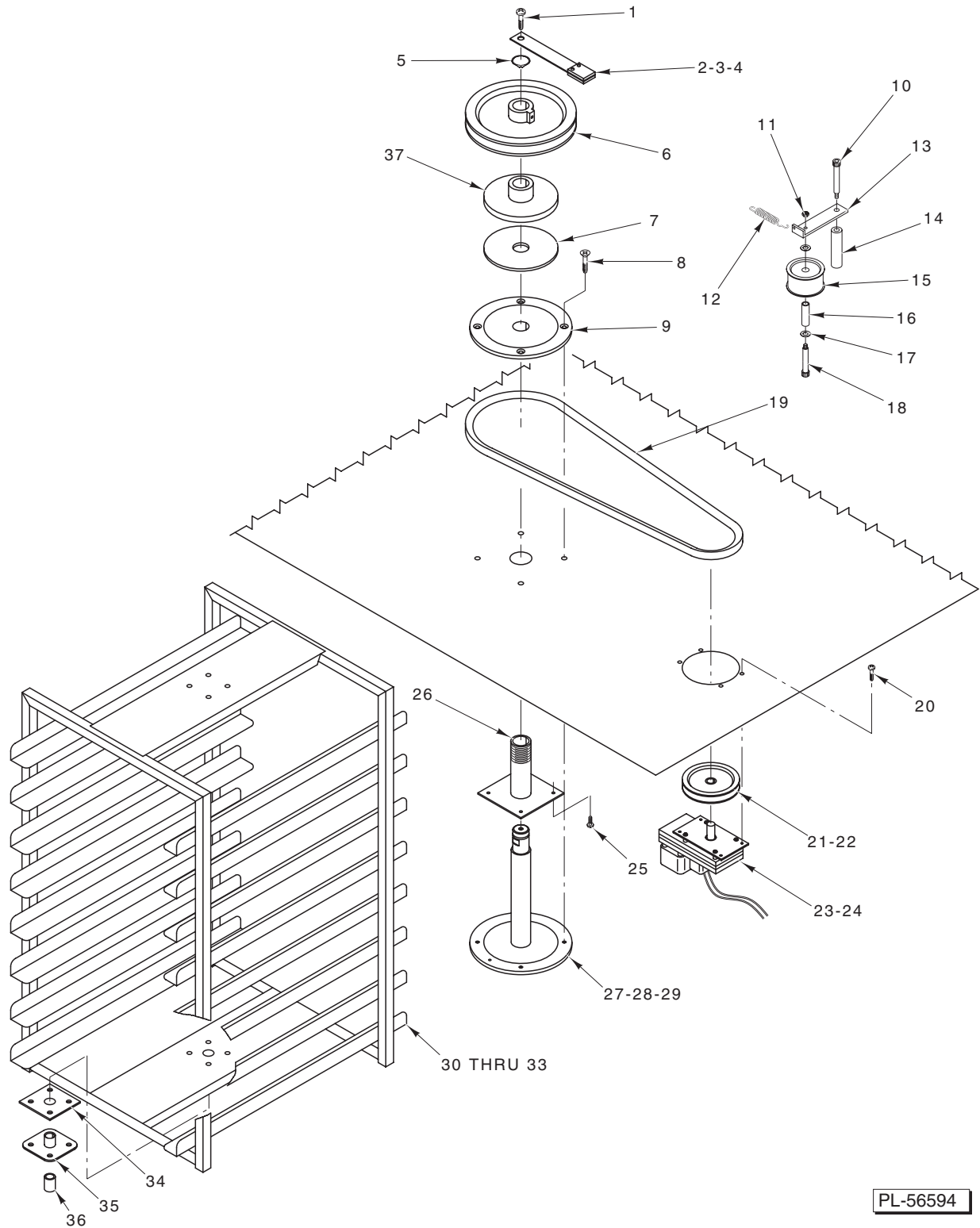
ILLUS.	PART NO.	NAME OF PART	AMT.
PL-56592			
1	01-1M4703-00001	Buzzer Assy.	1
2	01-1M4273-00002	PC Board Assy.	1
3	01-1M4655-00002	Panel – Control (Incls. Items 4 thru 8)	1
4	01-100V10-00094	Keypad – Matrix (4 x 4)	1
5	01-1M2429-00001	Retainer – Key Pad	1
6	01-1000V6-00151	Switch – Toggle	1
7	01-1000V6-00183	Switch – Push Button (6 V., LED)	2
8	01-100V16-0493H	Label – Control	1



CABINET UNIT

CABINET UNIT

ILLUS. PL-56593	PART NO.	NAME OF PART	AMT.
1	01-1M3940-00001	Bracket – Door Switch (RH) (Machines Built Prior to 7-13-01)	1
2	01-1M3940-00002	Bracket – Door Switch (LH) (Machines Built Prior to 7-13-01)	1
3	01-1M4844-00001	Bracket – Switch (Machines Built After 7-13-01)	1
4	01-1M4844-00002	Bracket – Switch (Machines Built After 7-13-01)	1
5	01-100V18-00118	Hinge	4
6	01-1M2806-00001	Thermocouple Assy.	1
7	01-100V17-00279	Fitting – Compression 1/4 NPTM x 3/16	1
8	01-1M4147-00001	Cap – Vent	1
9	01-1M4202-00001	Cover – Rear Outer	1
10	01-1M3382-00001	Rod – Vent Actuator	1
11	01-1000V6-00152	Solenoid – Vent Actuator (120 V.)	1
12	01-1M4203-00001	Cover – Front	1
13	01-1M4732-00001	Trim – Front	1
14	01-1M3936-00001	Light Assy. (Incls. Items 15 & 16)	2
15	01-1000V7-00027	Lamp – Oven	1
16	01-1M3937-00001	Light – Weldment	1
17	01-100V18-00123	Support – Handle (One Pair)	2
18	01-1M3952-00001	Tube – Handle	2
19	01-1M3445-00002	Door Assy. (Incls. Items 5, 17, & 18)	2
20	01-1A2370-03750	Gasket Strip – Door (Sides)	2
21	01-1A2370-02875	Gasket Strip – Door (Top & Bottom)	2
22	01-1M4716-00001	Gasket – Door (Center)	2
23	01-1M3475-00001	Retainer	2
24	01-1M4533-00012	Stand Assy. (12 Pan Capacity) (Incls. Items 26 & 27)	1
25	01-1M3457-00016	Stand Assy. (16 Pan Capacity) (Incls. Items 26 & 27)	1
26	01-100V14-00047	Caster – Rigid Plate	2
27	01-100V14-00046	Caster – Swivel Plate (W/Brake)	2
28	01-1M4198-00001	Skin – RH Outer (Service)	1
29	01-1M4221-00001	Cover – Rotator	1
30	01-1000V6-00198	Switch – Door Magnetic	2

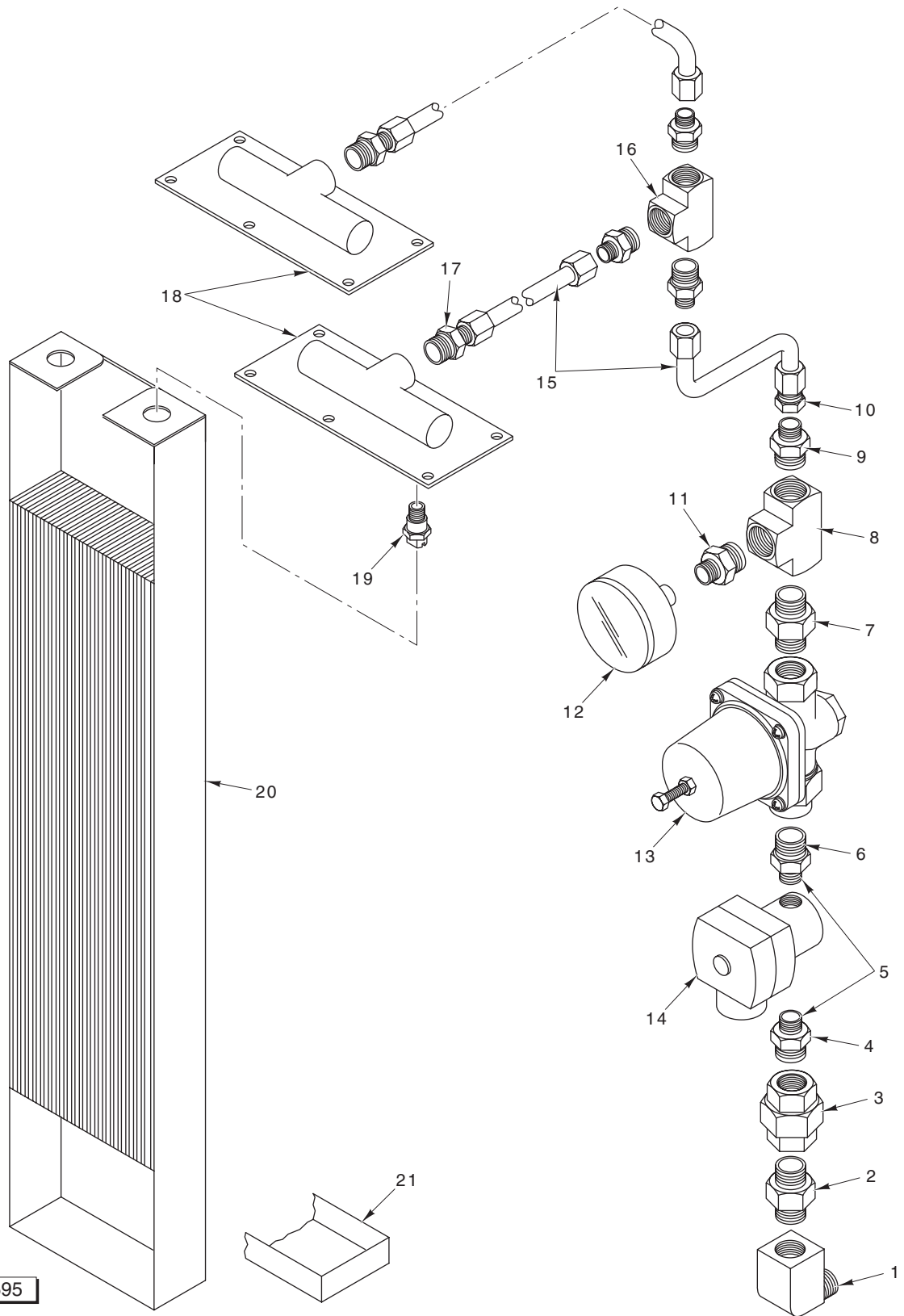


PL-56594

ROTATOR AND RACK ASSEMBLY

ROTATOR AND RACK ASSEMBLY

ILLUS.	PART NO.	NAME OF PART	AMT.
1	-	Screw 1/4-20 x 1/2 Truss Hd.	1
2	01-1000V6-00203	Actuator – Magnet	1
3	01-1M3383-00001	Plate – Magnet Mounting	1
4	-	Screw 3/8 Rd. Hd.	2
5	01-1000V1-00029	O-Ring – Snap	1
6	01-1000V3-00090	Sheave	1
7	01-1000V0-00071	Bearing – Rotator Thrust	1
8	-	Screw 1/4-20 x 1/2 Truss Hd.	4
9	01-1M3358-00002	Disc – Thrust Rotator	1
10	01-1000V4-00064	Bolt – Shouldered 1/2 x 1/2 Allen Hex Hd.	1
11	-	Nut 5/16-18 Hex (Nylock)	1
12	01-100V20-00009	Spring – Tension	1
13	01-1M3527-00001	Bracket – Rotator Idler	1
14	01-1M3526-00001	Tube – Rotator Idler	1
15	01-1M3528-00001	Pulley – Rotator Idler	1
16	01-1000V0-00038	Bearing – Journal	1
17	-	Washer – Flat	3
18	01-1000V4-00134	Bolt – Shouldered 3/8 x 3/4 Allen Hex Hd.	1
19	01-1000V3-00093	V-Belt	1
20	-	Screw 10-32 x 1/2 Truss Hd.	8
21	01-1M3389-00001	Bushing – Rotator	1
22	01-1000V3-00091	Sheave	1
23	01-1M3360-00001	Plate – Rotator Drive	1
24	01-1000V8-00078	Motor – Gear-Shaded Pole (6 RPM)	1
25	-	Screw 10-32 x 1/2 Truss Hd.	4
26	01-1M3363-00002	Housing – Upper Rotator	1
27	01-1M4015-00001	Spacer	1
28	01-1M3365-00002	Shaft – Rotator	1
29	01-1000V0-0072A	Bearing – Rotator Tubular (Upper)	1
30	01-1M3954-00008	Rack – End Load (8 Pan)	1
31	01-1M3954-00006	Rack – End Load (6 Pan)	1
32	01-1M3433-00008	Rack – Side Load (8 Pan)	1
33	01-1M3433-00006	Rack – Side Load (6 Pan)	1
34	01-1M3366-00001	Shaft – Lower Rotator	1
35	01-1M3364-00002	Bearing – Lower Rotator	1
36	01-1000V0-0072B	Bearing – Rotator (Lower)	1
37	01-1M3380-00002	Disc – Rotator Clutch	1
	01-1M3525-00001	Pulley – Idler (Incls. Items 10 thru 18)	1

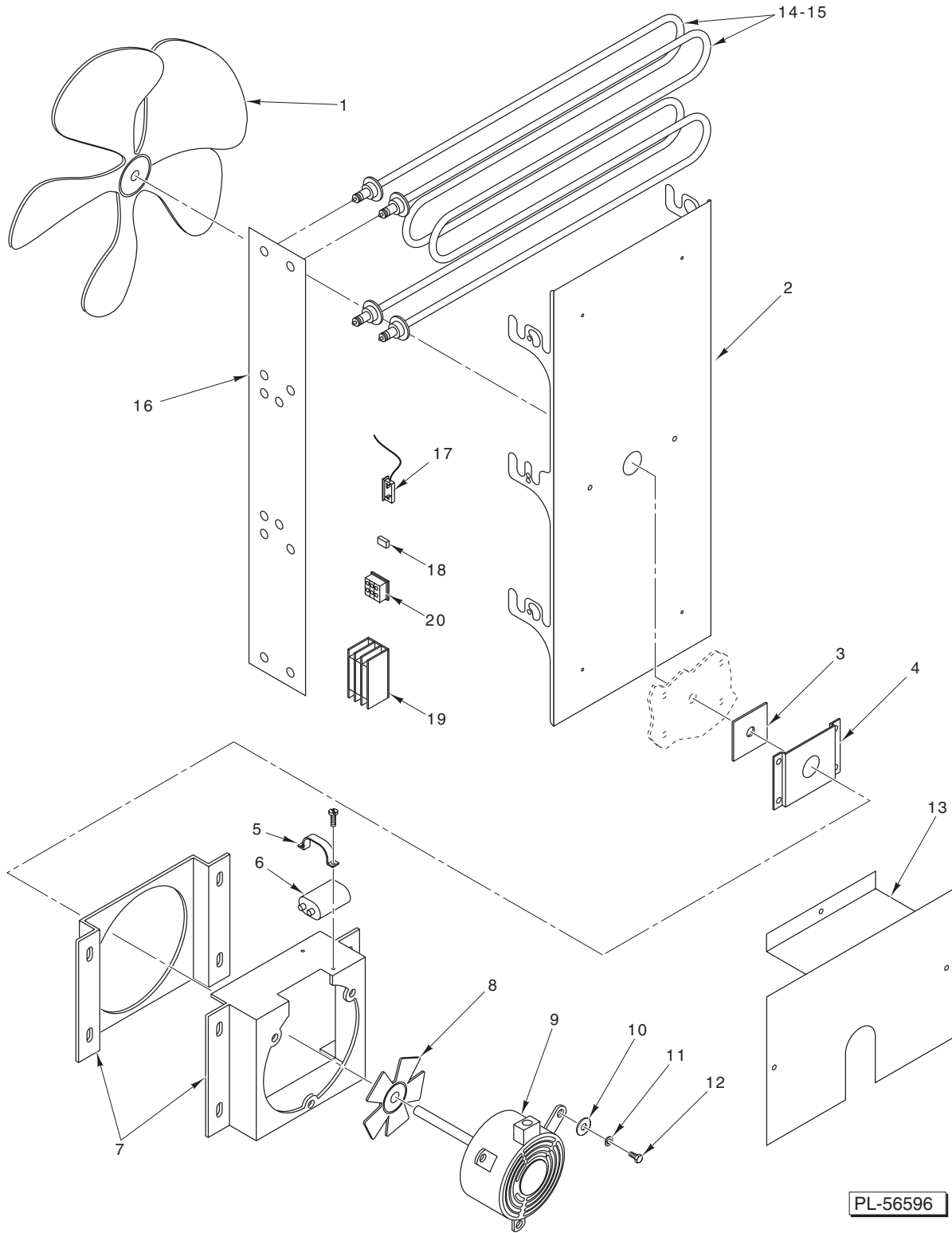


PL-56595

WATER/STEAM SUPPLY

WATER/STEAM SUPPLY

ILLUS. PL-56595	PART NO.	NAME OF PART	AMT.
1	01-100V17-00322	Hose Barb ³ / ₈ (Brass)	1
2	01-100V17-00351	Nipple – Hex (Brass)	1
3	01-100V17-00286	Union ¹ / ₂ (Brass)	1
4	01-100V17-00229	Bushing – Reducer (Brass)	1
5	01-100V17-00083	Nipple – Close ¹ / ₄ (Brass)	2
6	01-100V17-00229	Bushing – Reducer (Brass)	1
7	01-100V17-00351	Nipple – Hex (Brass)	1
8	01-100V17-00312	Tee ¹ / ₂ (Brass)	1
9	01-100V17-00229	Bushing – Reducer (Brass)	1
10	01-100V17-00341	Fitting Straight (Brass)	1
11	01-100V17-00229	Bushing – Reducer (Brass)	1
12	01-100V17-00204	Gauge – Pressure (100 PSI)	1
13	01-100V17-00330	Regulator – Water Pressure	1
14	01-100V17-00075	Valve – Solenoid	1
15	01-100V17-00027	Tubing – Copper ³ / ₈	AR
16	01-100V17-00261	Tee – Female ³ / ₈ (Brass)	1
17	01-100V17-00272	Fitting – Straight ³ / ₈ (Brass)	3
18	01-1M4272-00001	Steam Manifold Assy. (Incls. Items 17 & 19)	2
19	01-100V17-00487	Nozzle – Spray	2
20	01-1M4274-00001	Steamer Assy.	2
21	01-1M4411-00002	Pan – Auxiliary Drain	1
	01-1M3434-00001	Water Supply Assy. (Incls. Items 1 thru 14)	1



HEAT EXCHANGER AND AIR CIRCULATION SYSTEM

HEATING ELEMENTS AND AIR CIRCULATION SYSTEM

ILLUS. PL-56596	PART NO.	NAME OF PART	AMT.
1	01-1000V8-00094	Circulation Fan	1
2	01-1M4354-00001	Support – Element	1
3	01-1M3343-00002	Seal – Fan	1
4	01-1M3342-00001	Retainer – Seal	1
5	01-1000V8-0049D	Capacitor Mounting Bracket	1
6	01-1000V8-0049C	Capacitor	1
7	01-1M4390-00002	Base – Motor	1
8	01-1000V8-00097	Fan Blade (Motor)	1
9	01-1000V8-00101	Motor – Circulation	1
10	-	Washer 1/4	3
11	-	Lockwasher 1/4	3
12	01-1000V4-00122	Bolt 1/4-20 x 1/2 Hex Hd.	3
13	01-1M4352-00001	Cover	1
14	01-100V10-00207	Element – Heating (240 V.)	6
15	01-100V10-00208	Element – Heating (208 V.)	6
16	01-1M4356-00001	Plate – Element Mounting	1
17	01-1000V6-00118	Thermostat – High Limit	1
18	01-1000V6-00070	Relay – D.P.D.T. (120 V.)	2
19	01-1000V5-00096	Block – Power Distribution	2
20	01-1000V6-00215	Contactorm	2
	01-1M4446-00001	Circulation Motor Assy. (Incls. Items 5 thru 12)	1
	01-1M4207-00001	Shutter – Front	1
	01-1M4208-00001	Shutter – Rear Wall	1
	01-1M4214-00001	Shutter – Rear Side Panel	1
	01-1M4268-00001	Panel – Pressure Weldment	1

