



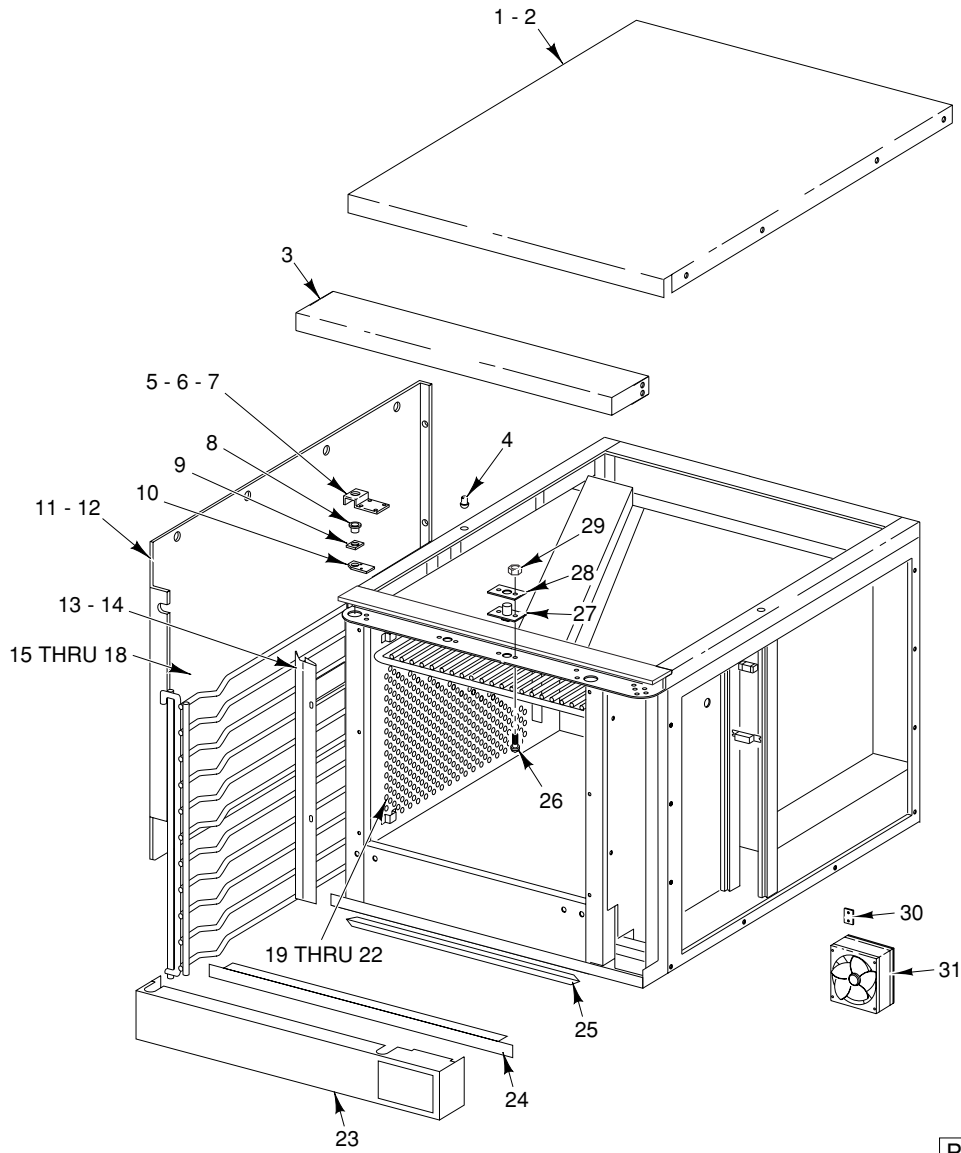
CATALOG OF

REPLACEMENT PARTS



ELECTRIC CONVECTIONS OVENS

DEC5	ML-126749
HEC5	ML-126750
HEC5D	ML-126751
HEC5X	ML-126753
HEC5DX	ML-126754

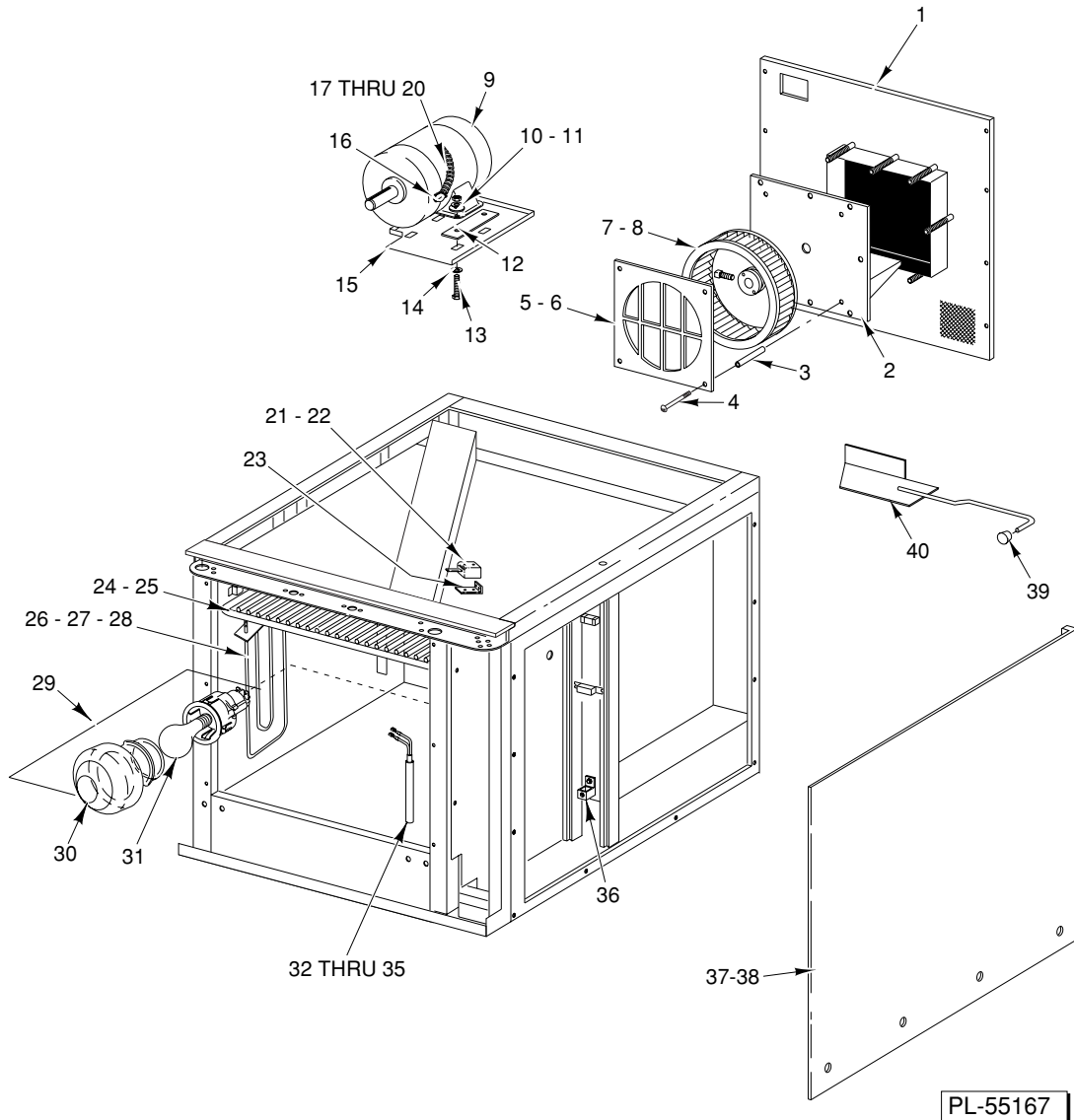


PL-55166

OVEN (L.H. SIDE)

OVEN (L.H. SIDE)

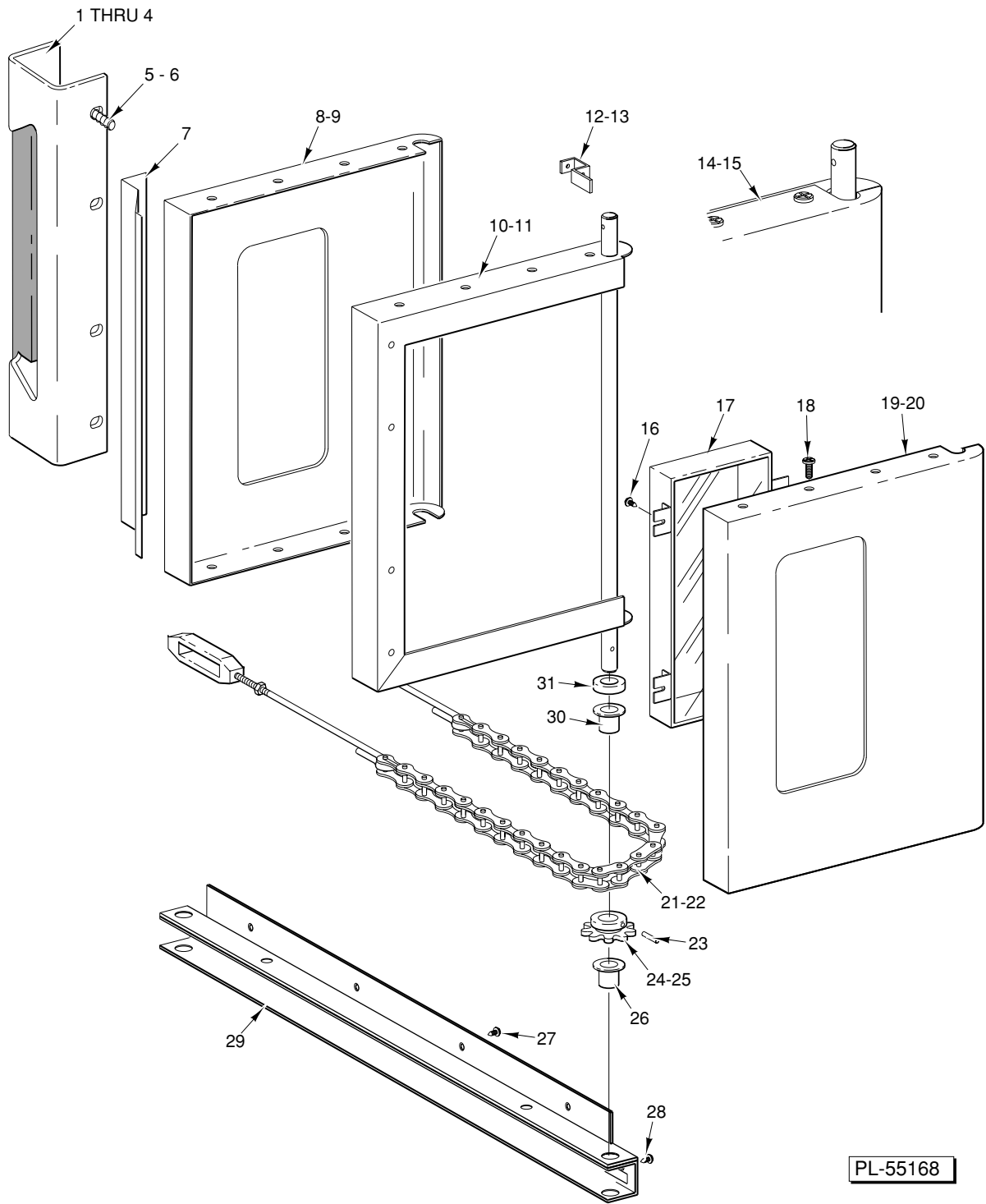
ILLUS. PL-55166	PART NO.	NAME OF PART	AMT.
1	00-424141-00002	Top (SST) (ML-126749) (ML-126750) (ML-126751)	1
2	00-424229-00002	Top (SST) (ML-126753) (ML-126754)	1
3	00-421799-00001	Top - Front	1
4	00-339337-00001	Stud - Locating	2
5	00-353484-00001	Plate - Retainer	2
6	SC-053-41	Mach. Screw 1/4-20 x 1/2 Truss Hd. SST	4
7	NS-038-08	Lock Nut 1/4-20 x 1 Hex Hd.	4
8	00-347080-00002	Bearing - Door Shaft	2
9	00-353482-00001	Spacer	2
10	00-353483-00001	Plate - Upper Door Bearing	2
11	00-424142-00002	Panel - Outer (SST) (LH) (ML-126749) (ML-126750) (ML-126751)	1
12	00-424230-00002	Panel - Outer (SST) (LH) (ML-126753) (ML-126754)	1
13	00-423841-00001	Seal - Vertical Door (LH)	1
14	00-423841-00002	Seal - Vertical Door (RH)	1
15	00-342141-00001	Rack - Support (LH) (ML-126749) (ML-126750) (ML-126751)	1
16	00-342141-00002	Rack - Support (RH) (ML-126749) (ML-126750) (ML-126751)	1
17	00-342141-00003	Rack - Support (LH) (ML-126753) (ML-126754)	1
18	00-342141-00004	Rack - Support (RH) (ML-126753) (ML-126754)	1
19	00-426648-000G1	Cavity - Side Assy. (LH)	1
20	00-426920-000G1	Cavity - Side Assy. (LH) (Porcelain)	1
21	00-426648-000G2	Cavity - Side Assy. (RH)	1
22	00-426920-000G2	Cavity - Side Assy. (RH) (Porcelain)	1
23	00-423766-000G1	Trim - Bottom W/Access Door Assy.	1
24	00-424865-00001	Cover - Trim	1
25	00-357507-00001	Seal - Horizontal Door (30 1/2 Long) (Top & Bottom)	2
26	SC-115-51	Mach. Screw - 10-32 x 1/2 Phil. Truss Hd.	2
27	00-347545-00002	Plate - Door Catch	1
28	00-423848-00001	Shim - Door Strike	AR
29	NS-038-03	Locknut - SP 10-32	2
30	00-425433-00001	Fan - Clip	1
31	00-424940-00002	Fan - Cooling (230 V.)	1
	00-346357-00001	Thermostat - Hi Limit (Thermodisc)	1
	00-424172-00001	Leg - Set (25 3/4") (PTD)	1
	00-424172-00002	Leg - Set (25 3/4") (SST)	1
	00-424175-00001	Leg - Set (25 3/4") (PTD W/Casters)	1
	00-424175-00002	Leg - Set (25 3/4") (SST W/Casters)	1
	00-424184-000G1	Open Stand W/Legs (ML-126749) (ML-126750) (ML-126751)	1
	00-424184-000G2	Open Stand W/Casters (ML-126749) (ML-126750) (ML-126751)	1
	00-424184-000G3	Open Stand W/Legs (ML-126753) (ML-126754)	1
	00-424184-000G4	Open Stand W/Casters (ML-126753) (ML-126754)	1



OVEN (R.H. SIDE)

OVEN (R.H. SIDE)

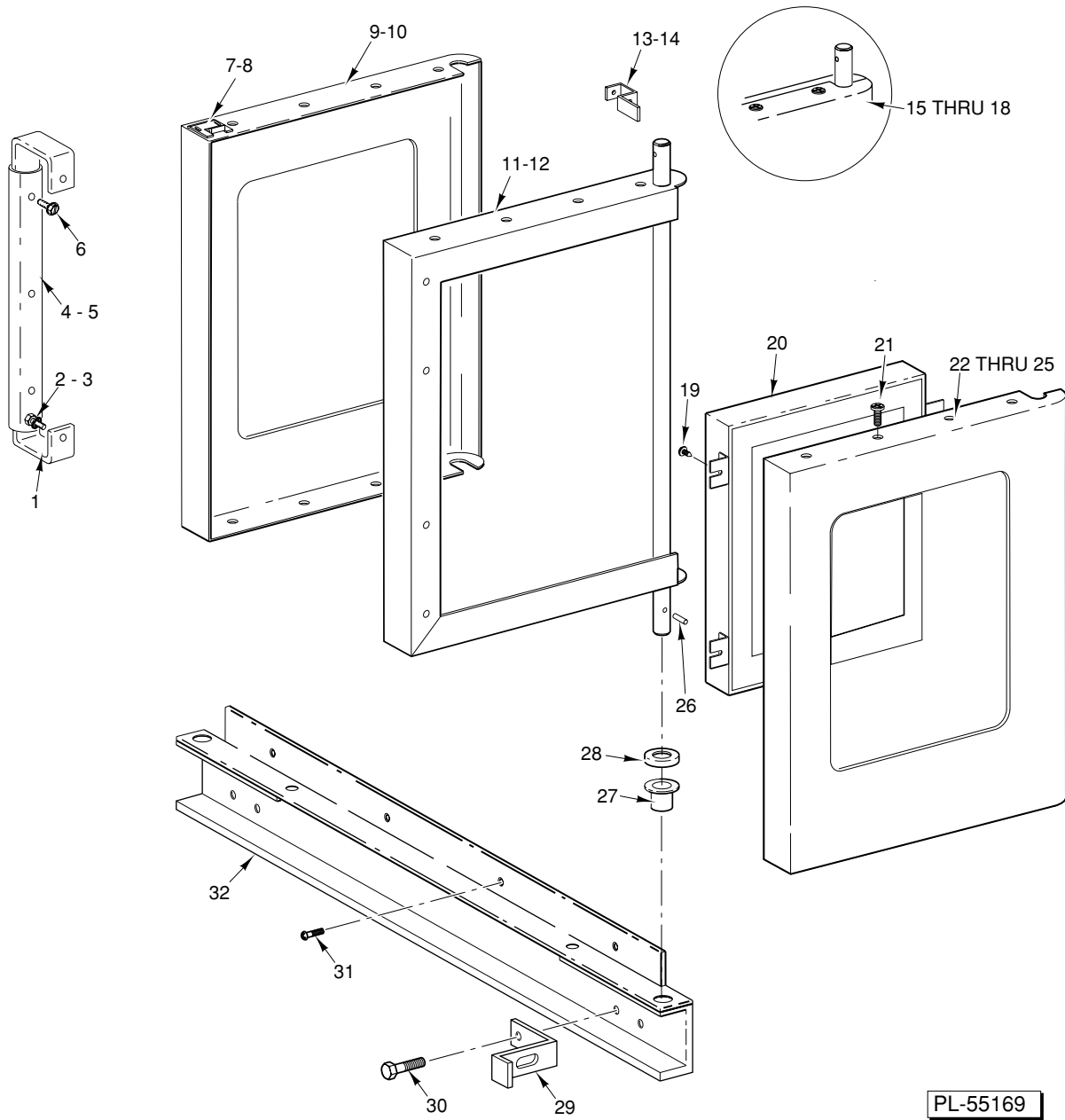
ILLUS.	PART NO.	NAME OF PART	AMT.
PL-55167			
1	00-424153-000G1	Back - Panel Assy.	1
2	00-423289-000G1	Motor Mount	1
3	00-411289-00004	Spacer - Fan Housing	4
4	SC-120-15	Mach. Screw 1/4 - 20 x 4 Rd. Hd.	4
5	00-411136-00004	Cover - Fan (60 Hz.)	1
6	00-411136-00003	Cover - Fan (50 Hz.)	1
7	00-415780-00003	Wheel - Blower (60 Hz.)	1
8	00-415780-00005	Wheel - Blower (50 Hz.)	1
9	00-358516-00002	Motor 1/2 Hp. (2 Speed) (208-240/50/60/1)	1
10	WS-029-46	Washer	4
11	NS-046-86	Nut Assy. 5/16-18 "KEPS" Hex	4
12	00-358723-00001	Spacer - Steel	2
13	SC-113-65	Cap Screw 5/16-18 x 1 1/4 Hex Hd.	4
14	WS-029-46	Washer	4
15	00-345523-00001	Baffle - Motor	1
16	FE-002-52	Connector - Conduit 3/8 TS (90 Deg.)	1
17	FE-006-05	Lock Nut 1/2	1
18	00-414540-00B35	Conduit 3/8 x 35" Lg.	1
19	00-342285-00001	Bushing - Plastic	2
20	FE-002-03	Connector - Conduit 3/8 TS Straight	1
21	00-411496-000F1	Switch - Micro	1
22	SD-034-47	Self-Tapping Screw 6-32 x 1 Hex Washer Hd., Type T	2
23	00-425324-00001	Bracket - Door Switch	1
24	00-424188-000G1	Rack Assy. (ML-126749) (ML-126750) (ML-126751)	AR
25	00-424188-000G3	Rack Assy. (ML-126753) (ML-126754)	AR
26	00-426635-00001	Element - (2000 W.) (208 V.)	6
27	00-426635-00002	Element - (2000 W.) (240 V.)	6
28	00-426635-00003	Element - (2000 W.) (480 V.)	6
29	00-357036-00001	Oven Lamp (40 Watt) (120 - 130 V.)	2
30	00-423832-00001	Cover - Light	2
31	00-342766-00001	Lamp - Oven (40 Watts) (120 V.)	2
32	00-353589-00001	Probe (ML-126750)	1
33	00-920883-00001	Probe (ML-126751)	1
34	00-342132-00002	Guard - Probe (ML-126749)	1
35	00-342132-00004	Guard - Probe (ML-126750) (ML-126751)	1
36	00-417856-00001	Lug - Grounding (With Set Screw)	1
37	00-424140-00002	Panel - Outer (RH) (SST) (ML-126749) (ML-126750) (ML-126751)	1
38	00-424228-00002	Panel - Outer (RH) (SST) (ML-126753) (ML-126754)	1
39	00-341564-00003	Handle	1
40	00-426804-000G1	Vent Slide Assy. (Includes item 39)	1
	00-423818-000G3	Pan - Drip (ML-126749) (ML-126750) (ML-126751)	1
	00-423818-000G4	Pan - Drip (ML-126753) (ML-126754)	1



DOOR ASSEMBLY
(Simultaneously Opening Doors)

DOOR ASSEMBLY
(Simultaneously Opening Doors)

ILLUS. PL-55168	PART NO.	NAME OF PART	AMT.
1	00-356562-00001	Handle - Door	1
2	00-356563-00001	Grip - Front	1
3	00-356563-00002	Grip - Rear	1
4	SC-113-98	Mach. Screw 10-24 x 1/2 Hex Washer Hd.	3
5	SC-041-01	Cap Screw 1/4-20 x 3/4 Hex Hd. (SST)	4
6	WL-019-37	Lockwasher 1/4 Int.	4
7	00-356550-00001	Latch - Friction	1
8	00-421913-00003	Shell - Outer Door (L.H.) (W/Window)	1
9	00-421913-00001	Shell - Outer Door (R.H.) (W/Window)	1
10	00-421904-000G1	Frame Assy. - Door (L.H.)	1
11	00-421905-000G1	Frame Assy. - Door (R.H.)	1
12	00-424163-00001	Lever - Door Switch	1
13	SD-034-52	Self-Tapping Screw 8-32 x 1 Hex Washer Hd., Type T	1
14	00-424730-00003	Door Assy. (LH) (W/Window)	1
15	00-424731-00003	Door Assy. (RH) (W/Window)	1
16	SD-034-62	Self-Tapping Screw 10-32 x 1/2 Hex Washer Hd., Type T	4
17	00-358534-00001	Window Assy.	1
18	00-350543-00006	Mach. Screw 10-32 X 1/2 Phil. Pan Hd.	9
19	00-358532-00001	Shell - Inner Door (LH) (W/Window)	1
20	00-358532-00002	Shell - Inner Door (RH) (W/Window)	1
21	00-343608-00002	Door Chain & Turnbuckle Assy.	2
22	00-352667-00001	Cable - Door Stop	1
23	PS-004-11	Spirol Pin 3/16 x 1 1/4	2
24	00-342166-00001	Sprocket - Door Shaft	2
25	SC-047-28	Set Screw 1/4-28 x 3/8 Hex Hdls. Cup Pt.	2
26	00-347080-00002	Bearing - Door Shaft	2
27	SC-022-40	Mach. Screw 1/4-20 x 3/4 Phil. Flat Hd.	4
28	SC-113-90	Mach. Screw 1/4-20 x 3/4 Hex Hd.	2
29	00-357846-00001	Channel - Door Sill Weldment	1
30	00-347080-00002	Bearing - Door Shaft WARMER2	
31	00-343143-00002	Washer	2
	00-520228	Adhesive - Loctite 242 (Use W/Item 25) (50 cc Bottle)	AR
	00-528664	Lubricant (Use W/Item 21) (Pint Can)	AR

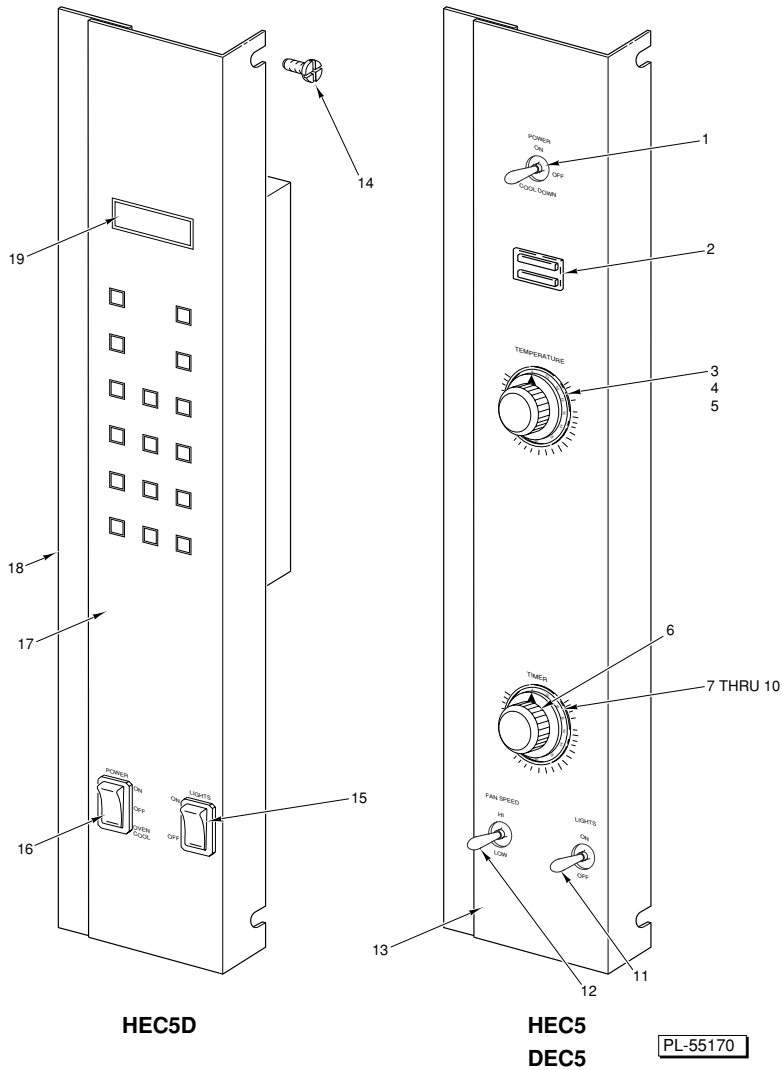


DOOR ASSEMBLY
(Independently Opening Doors)

DOOR ASSEMBLY
(Independently Opening Doors)

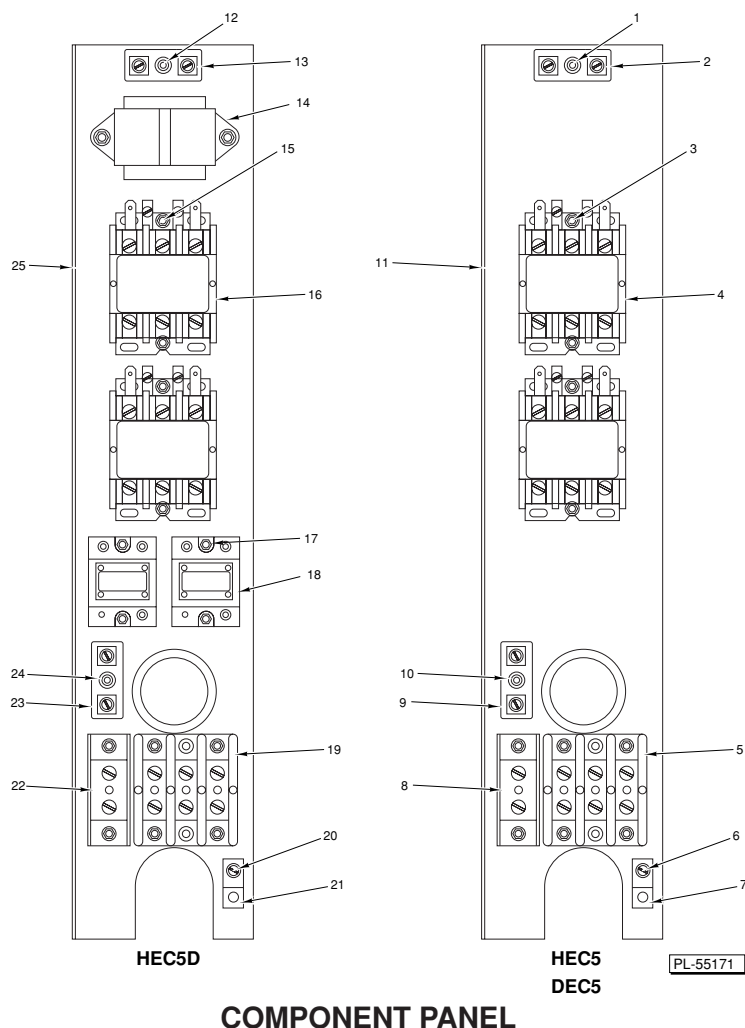
ILLUS. PL-55169	PART NO.	NAME OF PART	AMT.
1	00-357929-00001	Handle-Door	1
2	SC-041-01	Cap Screw 1/4-20 x 3/4 Hex Hd. (SST)	2
3	WL-019-37	Lockwasher 1/4 Int.	2
4	00-356563-00001	Grip - Front	1
5	00-356563-00002	Grip - Rear	1
6	SC-113-98	Mach. Screw 10-24 x 1/2 Hex Washer Hd.	3
7	00-358542-00001	Strike - Door	1
8	00-350543-00006	Mach. Screw 10-32 X 1/2 Phil. Pan Hd.	2
9	00-358600-00001	Shell - Outer Door (RH)(W/Window)	1
10	00-358600-00002	Shell - Outer Door (RH)(W/O Window)(Not Shown)	1
11	00-421905-000G1	Frame Assy. - Door (R.H.)	1
12	00-421904-000G1	Frame Assy. - Door (L.H.)	1
13	00-424163-00001	Lever - Door Switch	1
14	SD-034-52	Self-Tapping Screw 8-32 x 1 Hex Washer Hd., Type T	1
15	00-358598-00001	Door Assy. (LH) (W/Window)	1
16	00-358598-00002	Door Assy. (LH) (W/O Window)	1
17	00-358599-00001	Door Assy. (RH) (W/Window)	1
18	00-358599-00002	Door Assy. (RH) (W/O Window)	1
19	SD-034-62	Self-Tapping Screw 10-32 x 1/2 Hex Washer Hd., Type T	4
20	00-358534-00001	Window Assy.	1
21	00-350543-00006	Mach. Screw 10-32 X 1/2 Phil. Pan Hd.	8
22	00-358532-00002	Shell - Inner Door (RH) (W/Window)	1
23	00-358532-00001	Shell - Inner Door (LH) (W/Window)	1
24	00-358533-00004	Shell - Inner Door (Solid) (RH) (W/O Window)	1
25	00-358533-00003	Shell - Inner Door (Solid) (LH) (W/O Window)	1
26	PS-004-11	Spirol Pin 3/16 x 1 1/4	1
27	00-347080-00002	Bearing - Door Shaft	1
28	00-343143-00002	Washer	2
29	00-424158-00001	Door Stop	1
30	SC-113-90	Mach. Screw 1/4-20 x 3/4 Hex Hd.	2
31	SC-022-40	Mach. Screw 1/4-20 x 3/4 Phil. Flat Hd.	4
32	00-357846-00001	Channel - Door Sill Weldment	1

ELECTRIC CONVECTION OVENS REPLACEMENT PARTS



CONTROL PANEL

ILLUS.	PART NO.	NAME OF PART	AMT.
PL-55170			
1	00-340324-00008	Switch (Hold)	1
2	00-354575-00001	Light Indicator (On/Heat) (200-240V)	1
3	00-411242-00001	Knob	1
4	00-353613-00002	Controller - Temperature (SS) (500) (ML-126750)	1
5	00-411506-00003	Thermostat (ML-126749)	1
6	00-411242-00001	Knob	1
7	00-411690-00002	Timer (240 V.) (1 Hr.)(60 Hz.)	1
8	00-411690-00004	Timer (240 V.) (5 Hr.) (60 Hz.)	1
9	00-411690-00005	Timer (240 V.) (1 Hr)(50Hz)	1
10	00-411690-00006	Timer (240 V.) (5 Hr.) (50 Hz.)	1
11	00-340324-00012	Switch (S.P.S.T.)	1
12	00-340324-00009	Switch (D.P.D.T.)	1
13	00-426825-00001	Overlay - Panel	1
14	SD-037-02	Self-Tapping Screw 10-16 x 1/2 Hex Washer Hd., Type AB	3
15	00-358628-00002	Switch - Rocker (2 Position)	1
16	00-358628-00001	Switch - Rocker (3 Position)	1
17	00-426932-00001	Overlay - Control Panel	1
18	00-426927-000G2	Panel - Control Assy.	1
19	00-424846-00001	Controller (Watlow #734)	1
	00-411499-00003	Buzzer (230 V.)	1
	00-423918-00001	Electronic Beeper	12



COMPONENT PANEL

ILLUS.	PART NO.	NAME OF PART	AMT.
	PL-55171		
1	SD-034-52	Self-Tapping Screw 8-32 x 1 Hex Washer Hd., Type T	1
2	00-417934-000G1	Porcelain - Block Assy.	1
3	SD-032-07	Self-Tapping Screw 10-24 x 1/2 Hex Washer Hd., Type TT	4
4	00-411497-000C5	Contactor (3 pole)	2
5	00-410472-00008	Terminal Block	1
6	SD-032-07	Self-Tapping Screw 10-24 x 1/2 Hex Washer Hd., Type TT	1
7	00-417856-00001	Lug - Grounding (With Set Screw)	1
8	00-410472-00009	Block - Terminal (1 Pole)	1
9	00-417934-000G1	Porcelain - Block Assy.	1
10	SD-034-52	Self-Tapping Screw 8-32 x 1 Hex Washer Hd., Type T	1
11	00-422155-00001	Component Panel	1
12	SD-034-52	Self-Tapping Screw 8-32 x 1 Hex Washer Hd., Type T	1
13	00-417934-000G1	Porcelain - Block Assy.	1
14	00-421758-000G2	Transformer (208-240 V.)	1
15	SD-032-07	Self-Tapping Screw 10-24 x 1/2 Hex Washer Hd., Type TT	4
16	00-411497-000C5	Contactor (3 pole)	2
17	SD-034-52	Self-Tapping Screw 8-32 x 1 Hex Washer Hd., Type T	4
18	00-821875-00002	Relay - Solid State (50Amp)	2
19	00-410472-00008	Terminal Block	1
20	SD-032-07	Self-Tapping Screw 10-24 x 1/2 Hex Washer Hd., Type TT	1
21	00-417856-00001	Lug - Grounding (With Set Screw)	1
22	00-410472-00009	Block - Terminal (1 Pole)	1
23	00-417934-000G1	Porcelain - Block Assy.	1
24	SD-034-52	Self-Tapping Screw 8-32 x 1 Hex Washer Hd., Type T	1
25	00-422155-00001	Component Panel	1

