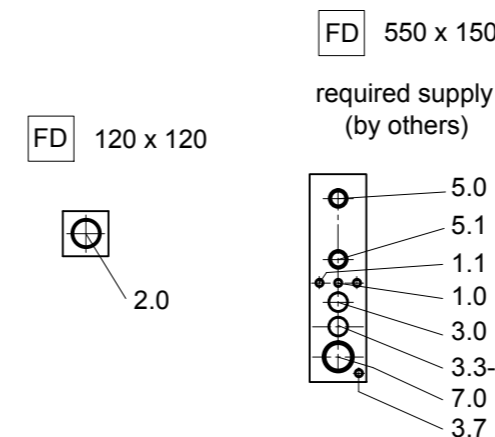
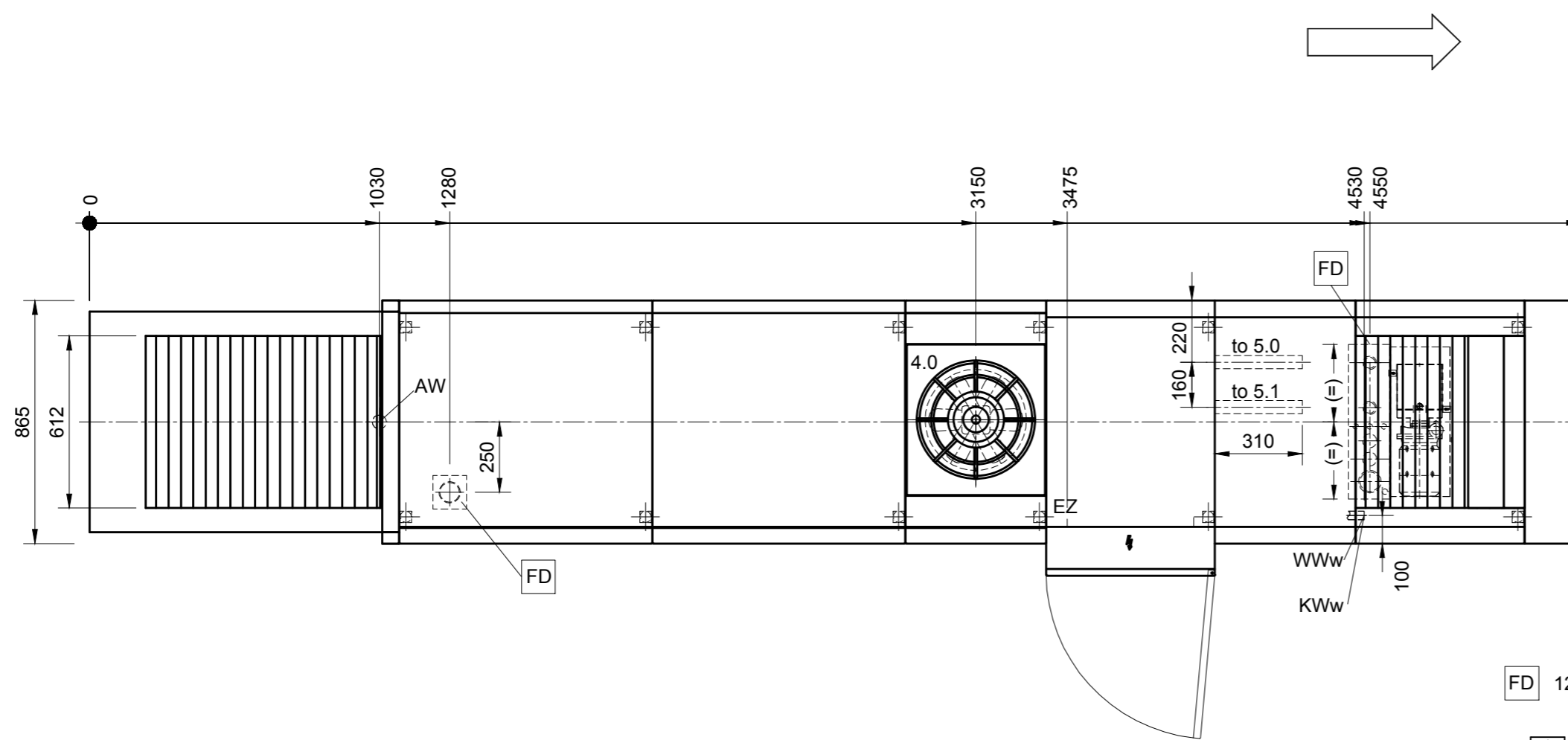
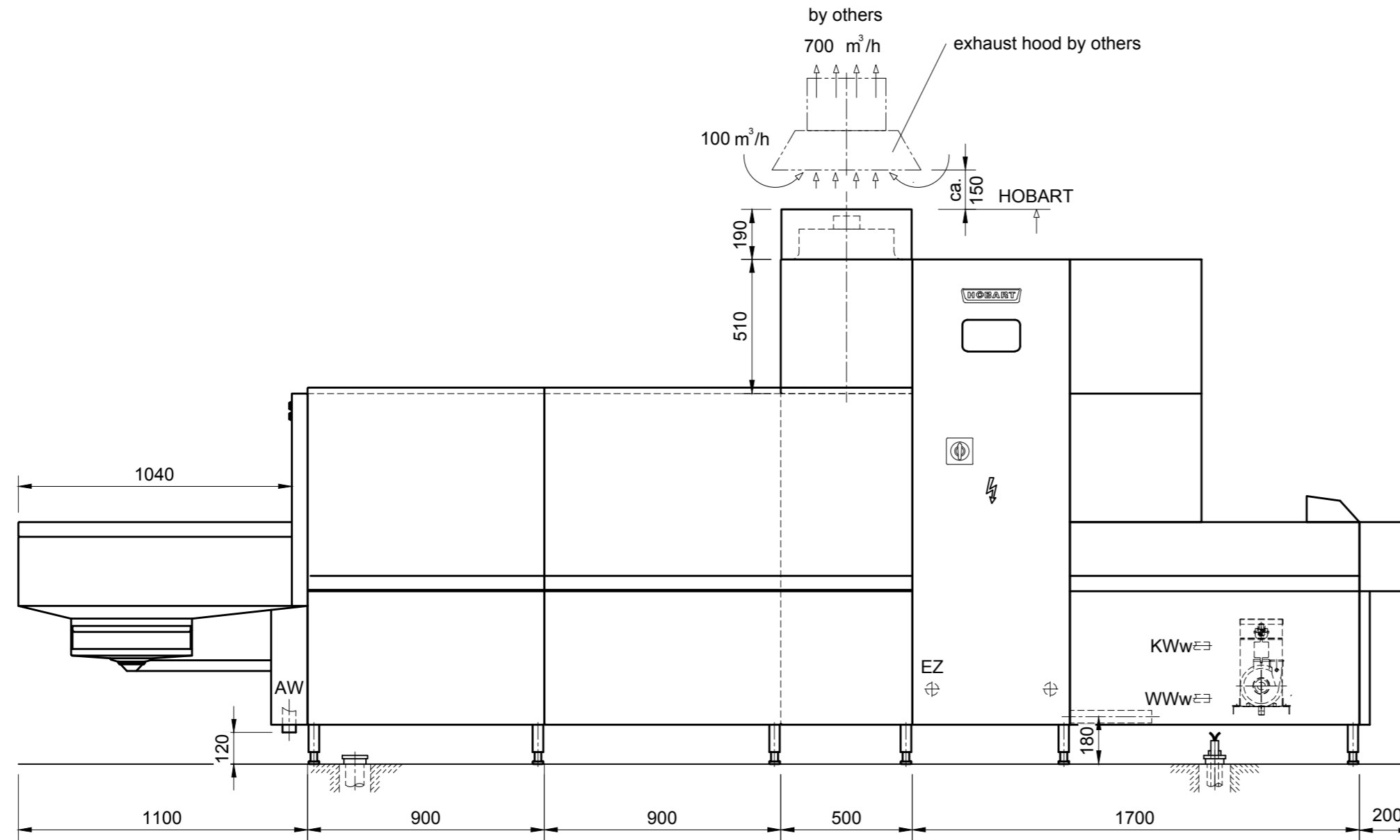
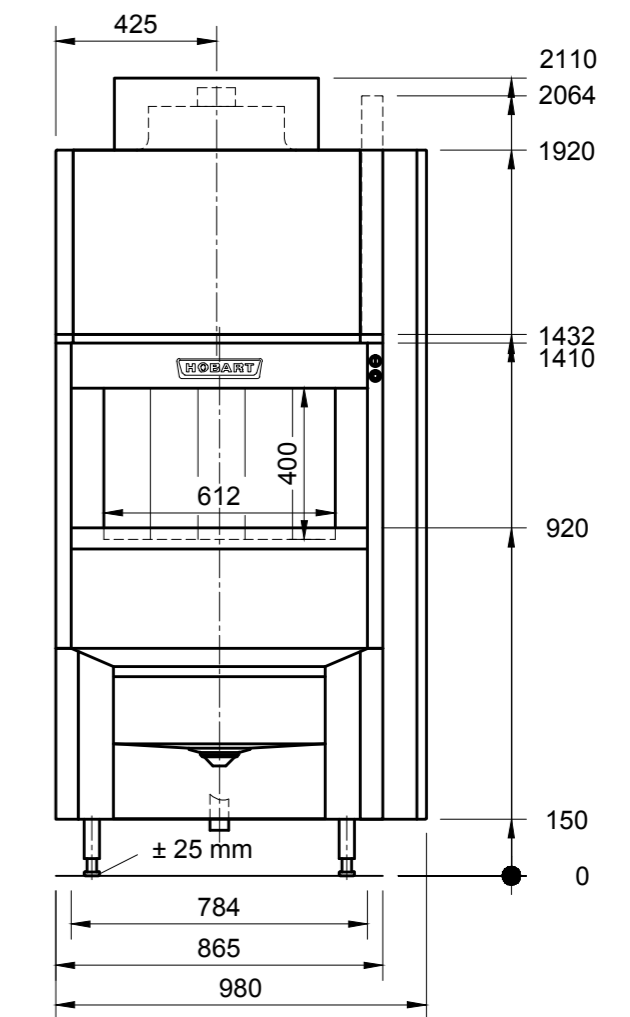


AW = drain water (CNS)	KW = cold water	üOKFF = above finished floor
Dat = dataline	KWw = cold water soft	UK = lower edge
EZ = power line 230V / 400V	LR = conduit Ø	VEW = demineralized water
FD = floor opening	CNS = stainless steel (inox)	WD = wall opening
HW-VL = hot water flow	MK = supply channell	WS = wall slot
HW-RL = hot water return	PE = equipotential conductor	WW = warm water
KB = cored hole Ø	STL = control line	WWw = warm water soft



Installation: All installations should always comply with all national and local codes of practice.
Exhaust: A frost-protection flap is recommended if the exhaust air from the machine is exterior ducted.
Transport: Minimum measurements of entry doors for machine assembly = outer measurements of largest machine + 300mm in height, + 400mm in width!
Aeration: The ventilation and exhaust for the room must be interpreted according to local by-laws.
Shut-off valves: The shut-off valves for rinsewater, tankfilling or demi-rinse are supplied by others.
Control- and datalines: We recommend a conduit for control-lines in the area of the electrical connection.
Washing result: A spotless cleaning results can be achieved only with low mineral content of the rinse water. We recommend a conductance of about 80µS/cm.
Floor drain: Splash floor drains should be provided for general cleaning purposes.
Steam- connections: The in-house steam-flow piping must be equipped with condensate drainage prior to the HOBART steam-connection. The in-house condensate piping must be pressure less and able to absorb all HOBART condensate.



Machine-Type:	Flight-Type Dishwasher		Heating:	Steam	
Model:	PROFI FTN	2-L-A-DL3, C25	Operation:	Left / Right	
Usable-Width:	612	Usable-Height:	400	Main-Switch:	Built in Machine
Chemical	Dimension		Position in mm		
7.0	conduit for chemical supply		Ø70	100mm AFFL	
Heating	Consumption		Dimension		
5.1	Condensate		Ø40	G1 1/2" male	
5.0	Steam	61,9 kg/h 129206 kJ/h	Ø40	G1 1/2" male	
<i>Steam-Flow-Pressure provided by customer 0,5-1,0 bar / 7-14 psi</i>					
Exhaust	Volume Temp. Humidity Pressure		Dimension		
4.0	600 m³/h	32°C 90-98%	c.a. 0 Pa	Ø300 internal	
<i>refer to drawing</i>					
Electrical	Control and Data-Line		Extended-Length		
3.7	Equipotential	min. 1x6mm² provided by customer		3m reserve	
3.5	Malfunction-Sensor	5x1,5 mm²		STL 3m reserve	
3.4	Exhaust	3x1,5 mm²		STL 3m reserve	
3.3	Dosage-System	7x1,5 mm²		STL 3m reserve	
Electrical	Voltage	Frequency	Supply	Fuse	
3.0	400 V	50 HZ	3-PE	3x20 A	
Water	Consumption		Hardness	Conductance	
2.0	Drain (Siphon provided by customer)			Ø70	
1.1	WWw	264 l (Filling)	50-60 °C max. 8,75 clark (1,2mmol/l)	150-400µS/cm	
1.0	KWw	180 l/h	12 °C max. 3,75 clark (0,5mmol/l)	80-120µS/cm	
<i>Water-Flow-Pressure provided by customer min. 1,5 bar / 22 psi</i>					
Heat-Radiation (thermal output to the room)					
washware 7,7 kW		latent: 2,0 kW		sensible 4,1 kW	

Index	Änderungen / Changes	Datum / Date	Name

Das Urheberrecht an dieser Zeichnung verbleibt bei der HOBART GmbH.
 Jede nicht von uns schriftlich genehmigte Benutzung, Verfielßigung, Überlassung an Dritte ist strafbar und macht schadensersatzpflichtig.
 This document contains proprietary and confidential data of HOBART GmbH. No disclosure, reproduction or use of any part thereof may be made without written permission of HOBART GmbH.

HOBART HOBART GmbH - Robert-Bosch-Straße17 - 77656 Offenburg, Germany
 Tel.: +49(0)781.600-0 - Fax.: +49(0)781.600-2319 - www.hobart.de

Angebot Quotation
 Bestellung Order

Datum / Date:	02.11.2011	Project:	
Gezeichnet / Drawn by:	R.Leonhardt	Maßstab / Scale:	1:20
Geprüft / Checked by:	R.H.	Order-No.:	
Projectmanager:	XXXX	Zeichnungsnummer / Drawing-No.:	FTN SF 6x4 2-L-A-DL3, C25 LR