



**CATALOG OF**

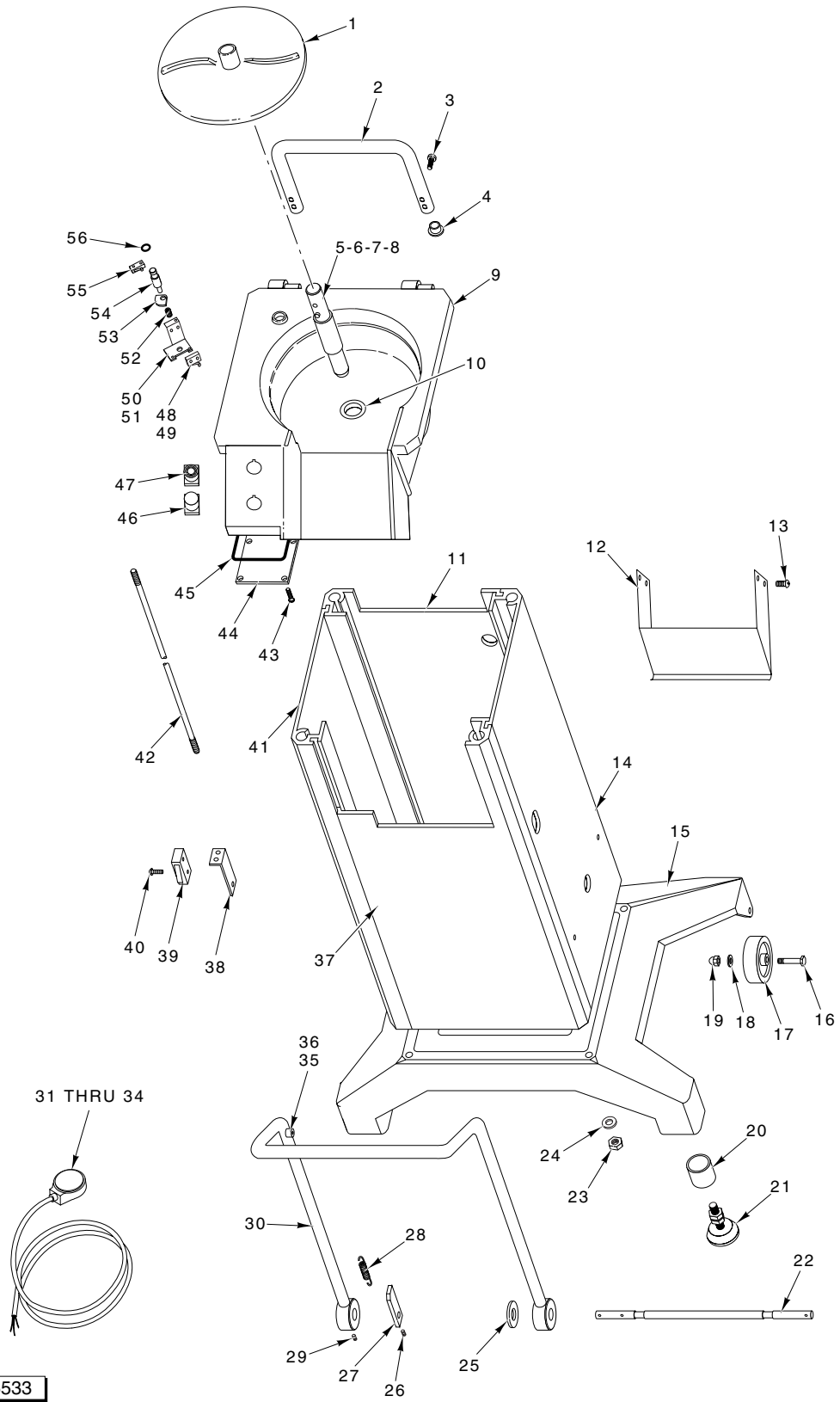
**REPLACEMENT PARTS**



**MODEL FP400  
FOOD PROCESSOR**

**FP400**

**ML-104751**

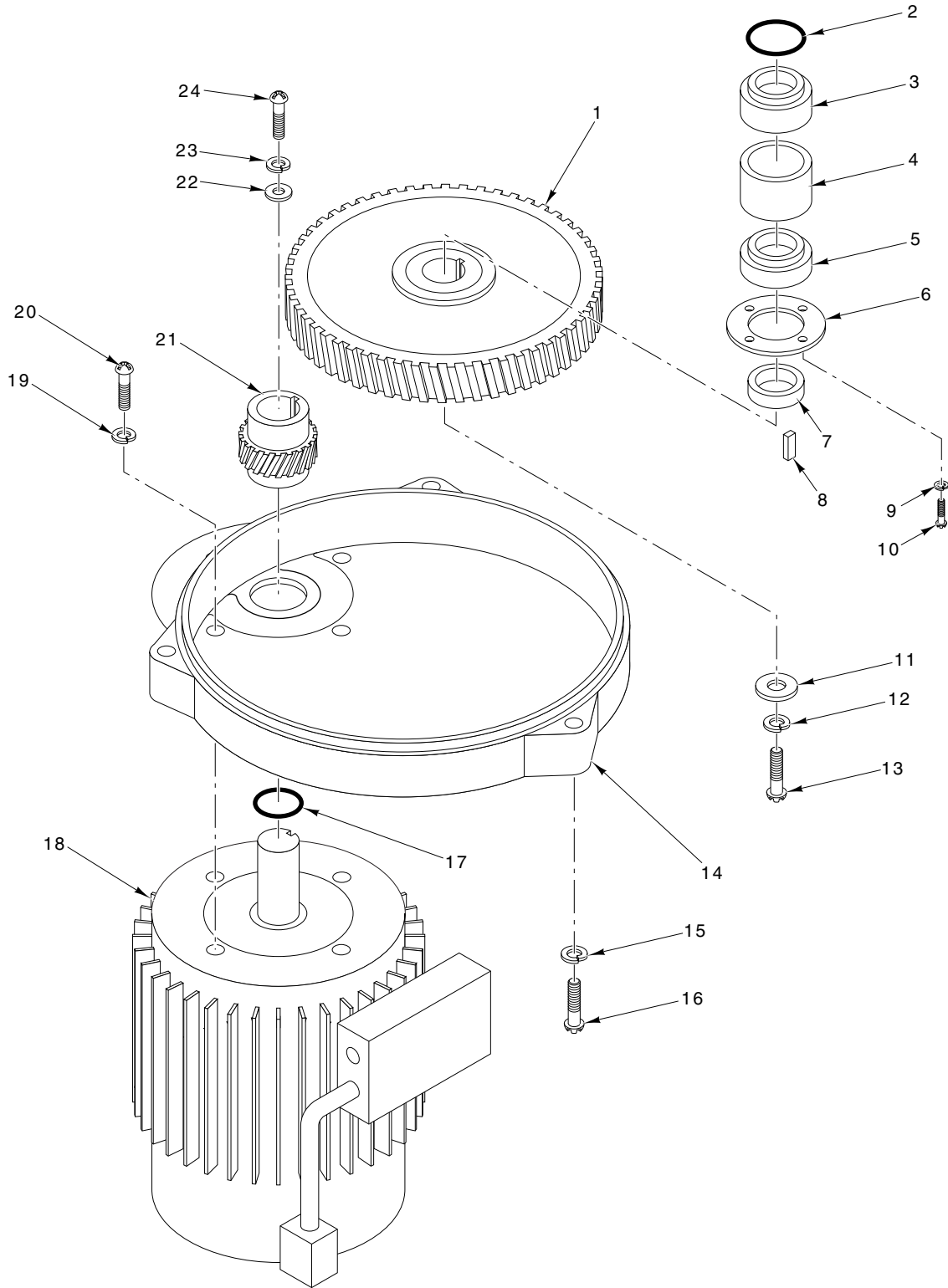


PL-55533

HOUSING UNIT

## HOUSING UNIT

ILLUS. PL-55533	PART NO.	NAME OF PART	AMT.
1	00-439142	Ejector .....	1
2	00-478830	Handle – Knife Chamber .....	1
3	SC-124-26	Mach. Screw M8 x 1.25 x 30 mm Slotted Pan Hd. ....	2
4	00-478881	Plug .....	1
5	00-478850	Shaft – Knife Assy. ....	1
6	00-439124	Pin – Carrier .....	1
7	SC-121-48	Set Screw M8 x 1.25 x 12 mm Slotted Hdls. Cup Pt. ....	1
8	00-478844	Pin .....	1
9	00-478833	Housing – Knife .....	1
10	00-439129	Washer – Seal .....	1
11	00-478902	Housing – Back .....	1
12	00-478832	Guard – Chute .....	1
13	SC-124-25	Mach. Screw M5 x 0.8 x 12 mm Slotted Truss Hd. ....	4
14	00-478901	Housing – Rightside .....	1
15	00-478834	Base .....	1
16	SC-124-22	Cap Screw M8 x 1.25 x 70 mm Hex Hd. ....	2
17	00-478877	Wheel .....	2
18	00-478885	Washer – Wheel .....	2
19	NS-048-42	Nut M8 x 1.25 Crown (SST) .....	2
20	00-478845	Tube – Protection .....	2
21	00-478878	Foot – Rubber .....	2
22	00-478829	Shaft – Lock Handle .....	1
23	NS 047-36	Nut M8 x 1.25 Hex (SST) .....	1
24	WL-019-74	Lockwasher M8 Helical .....	1
25	00-478823	Bushing – Lock Handle .....	2
26	SC-124-27	Set Screw M8 x 1.25 x 15 mm Slotted Hdls. Dog Pt. ....	1
27	00-478828	Stop – Lock Handle .....	1
28	00-478831	Spring – Tension .....	2
29	SC-124-28	Set Screw M8 x 1.25 x 25 mm Slotted Hdls. Dog Pt. ....	2
30	00-478820	Handle – Lock .....	1
31	FE-025-09	Relief – Stain Electrical .....	1
32	00-479036	Nut – Strain Relief .....	1
33	00-478853	Cord – Supply, US .....	1
34	00-437985	Plug – 240 V. ....	1
35	00-478827	Roller – Handle Locking .....	2
36	00-478876	Ring Lock .....	2
37	00-478900	Housing – Front .....	1
38	00-478840	Bracket – Angle .....	1
39	00-087711-00288	Switch – Interlock .....	1
40	SC-124-24	Mach. Screw M3 x 0.5 x 20 mm Slotted Pan Hd. ....	1
41	00-478903	Housing – Left .....	1
42	00-478813	Rod – Threaded .....	4
43	SD-037-41	Self-Tapping Screw 3.5 x 13 mm Phil. Oval Hd., Type AB .....	6
44	00-478826	Plate – Cover .....	1
45	00-478873	Seal – Switch Cover .....	1
46	00-478897	Switch – Stop .....	1
47	00-478898	Switch – Start .....	1
48	00-087711-00288	Switch – Interlock .....	1
49	SD-038-60	Self-Tapping Screw 4.8 x 9.5 mm Phil. Pan Hd., Type AB .....	2
50	00-478837	Bracket – Interlock Switch .....	1
51	SC-124-24	Mach. Screw M3 x 0.5 x 20 mm Slotted Pan Hd. ....	4
52	00-478874	Spring – Interlock Switch .....	1
53	00-478839	Plate – Thrust .....	1
54	00-478838	Shaft – Interlock Switch .....	1
55	00-087711-00288	Switch – Interlock .....	1
56	00-478875	O-Ring .....	1
	00-439923	Wrench – Center Screw .....	1

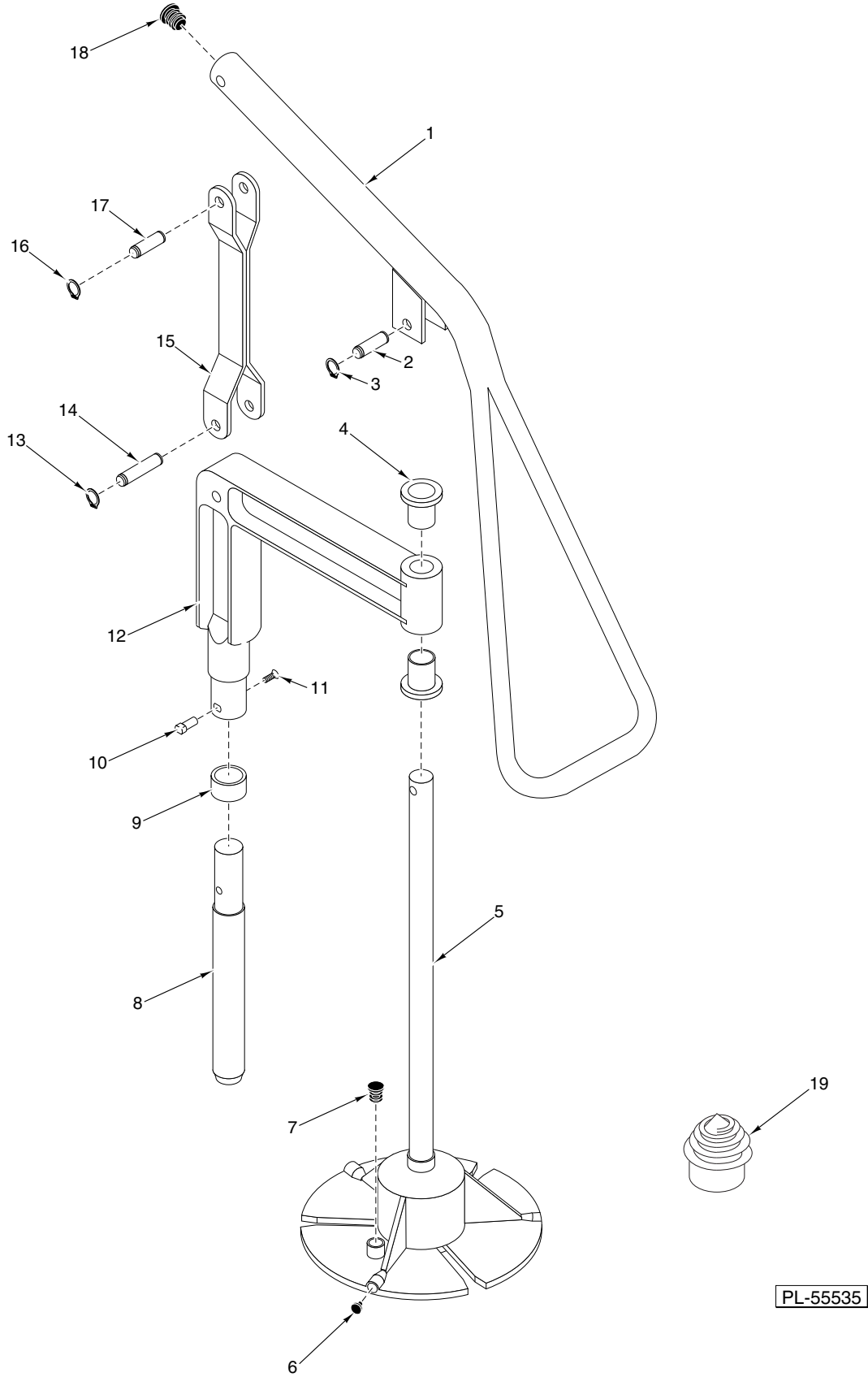


PL-55534

**MOTOR AND GEARING**

**MOTOR AND GEARING**

ILLUS. PL-55534	PART NO.	NAME OF PART	AMT.
1	00-478812	Gear – Drive .....	1
2	00-478871	Ring – Seal .....	1
3	BB-017-39	Ball Bearing .....	1
4	00-478810	Ring – Spacer .....	1
5	BB-021-43	Ball Bearing .....	1
6	00-478809	Cover – Bearing .....	1
7	00-478811	Spacer .....	1
8	00-478872	Key .....	1
9	WL-019-75	Lockwasher M5 Helical .....	4
10	SC-118-37	Mach. Screw M5 x 0.8 x 12 mm Slotted Pan Hd. ....	4
11	00-479846	Washer .....	1
12	WL-019-74	Lockwasher M8 Helical .....	1
13	SC-121-16	Cap Screw M8 x 1.25 x 22 mm Hex Hd. ....	1
14	00-478836	Housing – Gear .....	1
15	WL-019-74	Lockwasher M8 Helical .....	3
16	SC 121-56	Cap Screw M8 x 1.25 x 60 mm Hex Hd. ....	3
17	00-478882	Ring – Seal .....	1
18	00-478896	Motor (208-240 V., 60 Hz., 3 Ph. UL) .....	1
19	WL-019-74	Lockwasher M8 Helical .....	4
20	SC-121-16	Cap Screw M8 x 1.25 x 22 mm Hex Hd. ....	4
21	00-478821	Gear – Pinion .....	1
22	00-478847	Washer .....	1
23	WL-019-89	Lockwasher M10 Helical .....	1
24	SC-124-23	Cap Screw M10 x 1.5 x 30 mm Hex Hd. ....	1

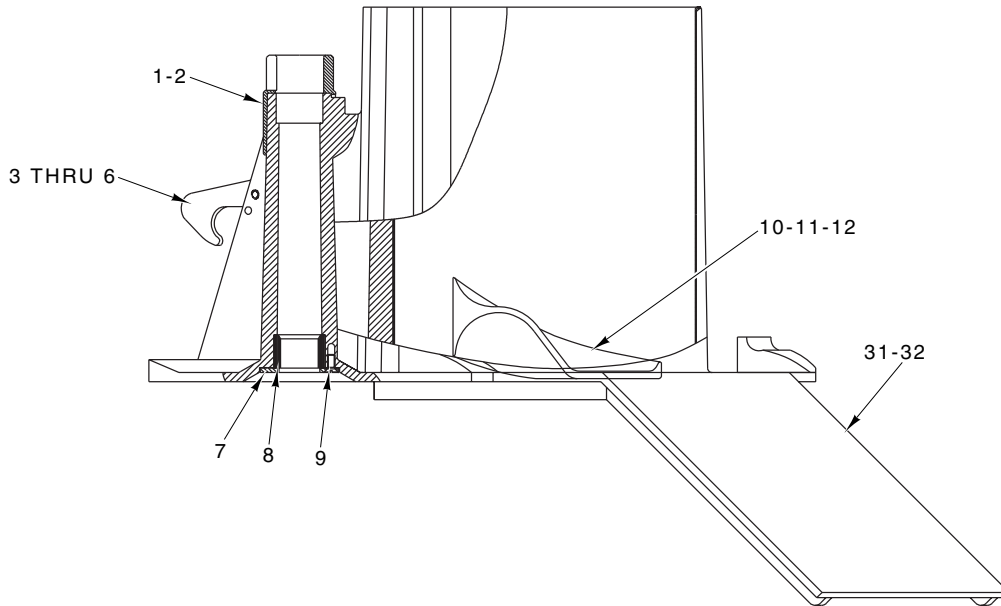


**MANUAL PUSH FEED ASSEMBLY**

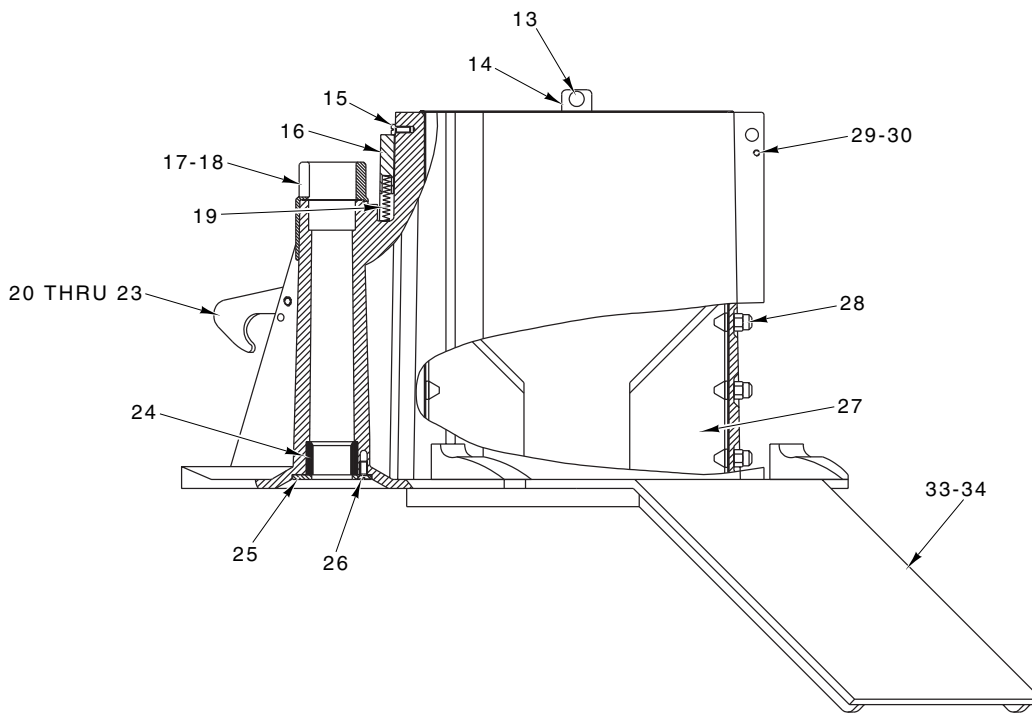
PL-55535

**MANUAL PUSH FEED ASSEMBLY**

ILLUS. PL-55535	PART NO.	NAME OF PART	AMT.
1	00-478816	Lever .....	1
2	00-478870	Pin – Pivot .....	1
3	00-478880	Ring – Locking .....	2
4	00-478825	Bushing – Stand .....	2
5	00-478904	Shaft – Piston Assy. ....	1
6	00-478864	Knob – Guide .....	3
7	00-478888	Plug .....	1
8	00-478814	Stand – Shaft .....	1
9	00-478819	Bushing .....	1
10	00-478856	Pin – Stand .....	1
11	SC-118-36	Mach. Screw M5 x 0.8 x 16 mm Slotted Flat Hd. ....	1
12	00-478835	Frame – Stand .....	1
13	00-478880	Ring – Locking .....	2
14	00-478868	Pin – Pivot .....	1
15	00-478815	Link .....	1
16	00-478880	Ring – Locking .....	2
17	00-478869	Pin – Pivot .....	1
18	00-478888	Plug .....	1
19	00-478939	Screw – Decoring .....	1



**FEED HOPPER CYLINDER**



**MANUAL PUSH FEED CYLINDER**

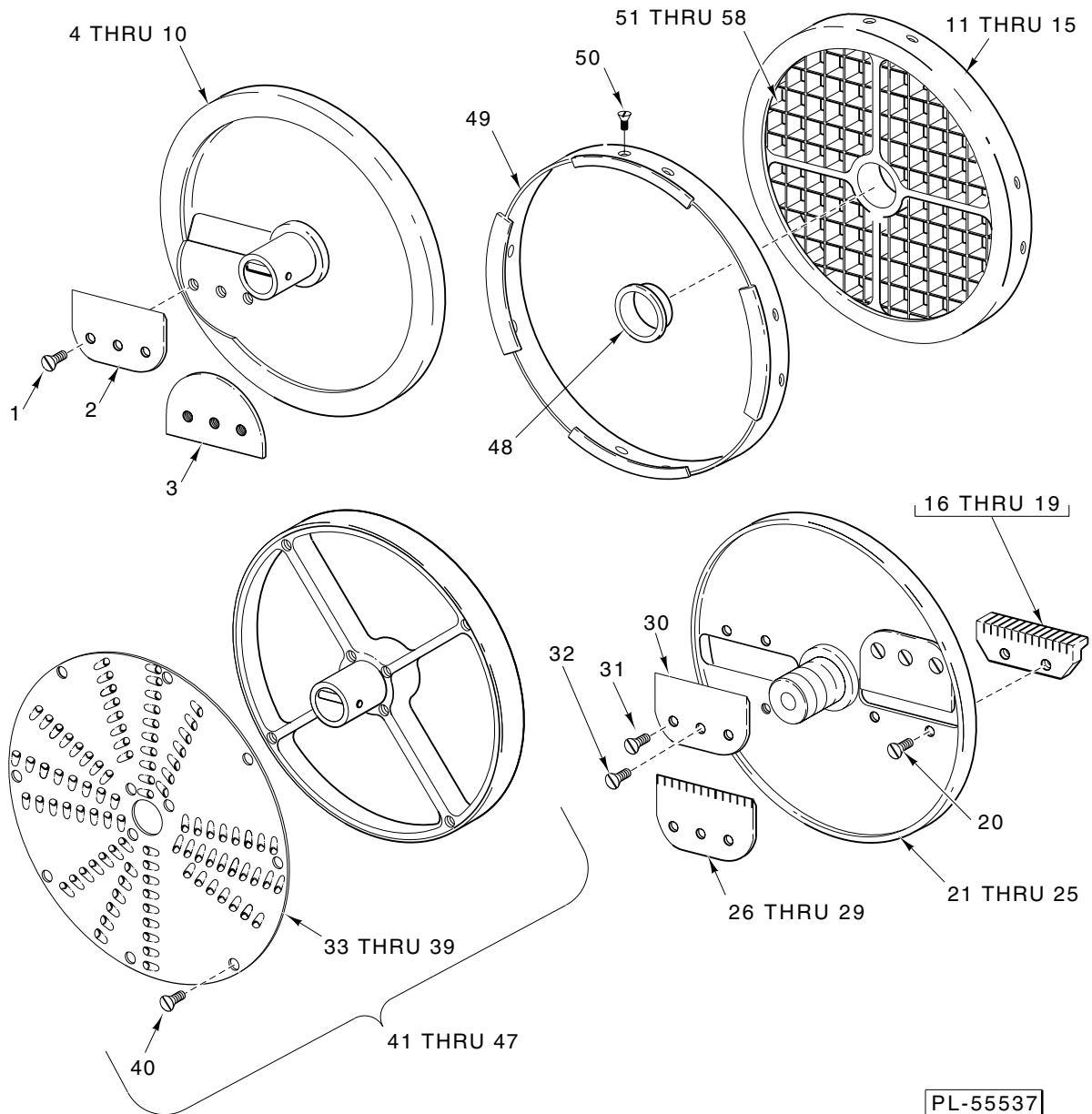
PL-55586

**FEED CYLINDER ASSEMBLIES**



**FEED CYLINDER ASSEMBLIES**

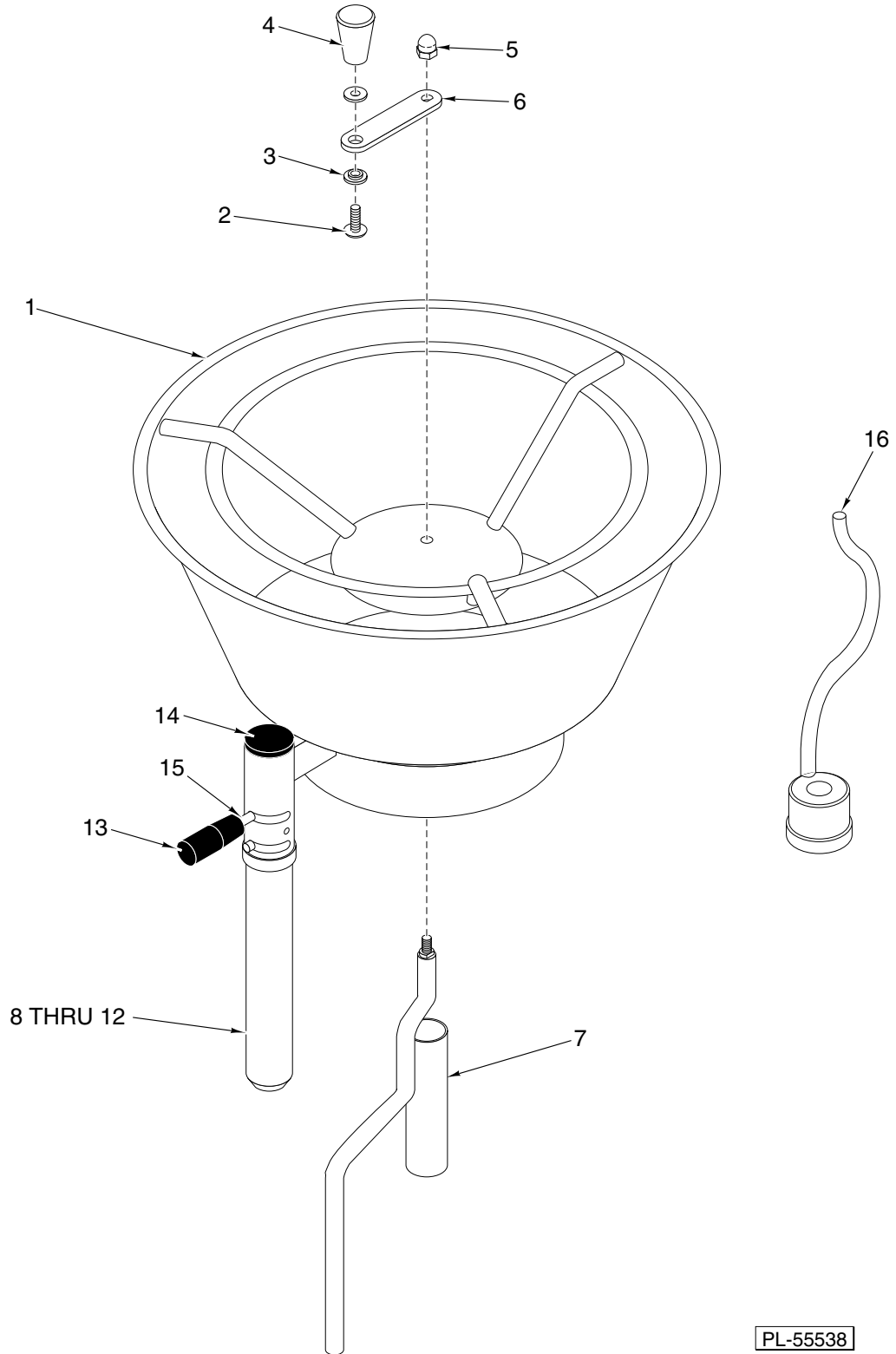
ILLUS. PL-55586	PART NO.	NAME OF PART	AMT.
1	00-478863	Sleeve – Bayonet .....	1
2	SC-124-30	Mach. Screw M5 x 0.8 x 10 mm Slotted Oval Hd. ....	2
3	00-478887	Washer .....	1
4	00-478859	Clutch – Locking .....	1
5	SC-124-31	Mach. Screw M6 x 1 x 16 mm Slotted Truss Hd. ....	1
6	00-478867	Washer .....	2
7	00-478818	Bushing 25/34 .....	1
8	00-478817	Cover – Bushing .....	1
9	SD-038-41	Self-Tapping Screw 4.8 x 13 mm Slotted Oval Hd., Type AB .....	3
10	00-478857	Guide .....	2
11	00-478906	Rod – Threaded .....	4
12	NS-047-34	Nut M6 x 1 Crown .....	4
13	00-439121	Rivet – Plastic .....	2
14	00-478905	Knob – Slice .....	1
15	SD-037-40	Self-Tapping Screw 3.5 x 9.5 mm Slotted Oval Hd., Type AB .....	1
16	00-478822	Stopper – Pusher .....	1
17	00-478863	Sleeve – Bayonet .....	1
18	SC-124-30	Mach. Screw M5 x 0.8 x 10 mm Slotted Oval Hd. ....	1
19	00-478879	Spring .....	1
20	00-478867	Washer .....	1
21	00-478887	Washer .....	1
22	00-478859	Clutch – Locking .....	1
23	SC-124-31	Mach. Screw M6 x 1 x 16 mm Slotted Truss Hd. ....	1
24	00-478818	Bushing 25/34 .....	1
25	00-478817	Cover – Bushing .....	1
26	SD-038-41	Self-Tapping Screw 4.8 x 13 mm Slotted Oval Hd., Type AB .....	3
27	00-478842	Knife .....	3
28	00-478858	Nut – Special Domed .....	9
29	SC-121-19	Mach. Screw M4 x 0.7 x 16 mm Slotted Pan Hd. ....	1
30	NS-200-03	Nut M4 x 0.7 Hex .....	1
31	00-479087	Feed Hopper Cylinder (US) .....	1
32	00-479087-00002	Feed Hopper Cylinder (CANADA) .....	1
33	00-479086	Push Feed Cylinder (US) .....	1
34	00-479086-00001	Push Feed Cylinder (CANADA) .....	1
	00-479094	Knife/Guide Removal Tool .....	1



**ACCESSORIES**

ACCESSORIES

ILLUS. PL-55537	PART NO.	NAME OF PART	AMT.
1	SC-120-82	Mach. Screw M5 x 0.8 x 6 mm Slotted Flat Hd. ....	AR
2	00-439157	Knife – Standard Slicer .....	AR
3	00-439158	Knife – Fine Slicer .....	AR
4	00-439164	Plate Assy. – Fine Slicer 1/16 (Incls. Items 1 & 3) .....	1
5	00-439169	Plate Assy. – Fine Slicer 1/8 (Incls. Items 1 & 3) .....	1
6	00-439170	Plate Assy. – Fine Slicer 9/32 (Incls. Items 1 & 3) .....	1
7	00-439171	Plate Assy. – Fine Slicer 7/32 (Incls. Items 1 & 3) .....	1
8	00-439172	Plate Assy. – Fine Slicer 3/8 (Incls. Items 1 & 3) .....	1
9	00-439298	Plate Assy. – Standard Slicer 3/8 (Incls. Items 1 & 2) .....	1
10	00-439303	Plate Assy. – Fine Slicer 9/16 (Incls. Items 1 & 3) .....	1
11	00-477786	Plate Assy. – 9/32 Dicer (Incls. Items 48, 49, 50, & 51) .....	1
12	00-477787	Plate Assy. – 3/8 Dicer (Incls. Items 48, 49, 50, & 52) .....	1
13	00-477788	Plate Assy. – 1/2 Dicer (Incls. Items 48, 49, 50, & 53) .....	1
14	00-477789	Plate Assy. – 5/8 Dicer (Incls. Items 48, 49, 50, & 54) .....	1
15	00-477790	Plate Assy. – 3/4 Dicer (Incls. Items 48, 50, 55, & 56) .....	1
16	00-439175	Knife – Balk 3/32 Julienne .....	2
17	00-439177	Knife – Balk 3/16 Julienne .....	2
18	00-439179	Knife – Balk 7/32 Julienne .....	2
19	00-439162	Knife – Balk 3/8 Julienne .....	2
20	SC-120-83	Mach. Screw M4 x 0.7 x 6 mm Slotted Flat Hd. ....	4
21	00-439173	Plate Assy. – Crimping (Incls. Items 26 & 31) .....	1
22	00-439174	Plate Assy. – Julienne 3/32 (Incls. Items 16, 20, 30, & 31) .....	1
23	00-439176	Plate Assy. – Julienne 3/16 (Incls. Items 17, 27, 31, & 32) .....	1
24	00-439178	Plate Assy. – Julienne 7/32 (Incls. Items 18, 28, 31, & 32) .....	1
25	00-439180	Plate Assy. – Julienne 3/8 (Incls. Items 19, 29, 31, & 32) .....	1
26	00-439159	Knife – 3/8 Crimping Slicer .....	2
27	00-439160	Knife – 3/8 Julienne .....	2
28	00-439161	Knife – 7/32 Julienne .....	2
29	00-439163	Knife – 3/8 Julienne .....	2
30	00-439157	Knife – Standard Slicer .....	AR
31	SC-120-82	Mach. Screw M5 x 0.8 x 6 mm Slotted Flat Hd. ....	AR
32	SC-121-13	Mach. Screw M4 x 0.7 x 8 mm Slotted Flat Hd. ....	AR
33	00-439143	Insert – Fine Grater .....	1
34	00-439145	Insert – 1/16 Shredder Plate .....	1
35	00-439146	Insert – 3/32 Shredder Plate .....	1
36	00-439147	Insert – 1/8 Shredder Plate .....	1
37	00-439148	Insert – 3/16 Shredder Plate .....	1
38	00-439149	Insert – 7/32 Shredder Plate .....	1
39	00-439150	Insert – 3/16 Shredder Plate .....	1
40	SC-120-85	Mach. Screw M3 x 0.5 x 6 mm Slotted Flat Hd. ....	AR
41	00-439144	Plate Assy. – Fine Grater (Incls. Items 33 & 40) .....	1
42	00-439151	Plate Assy. – Shredder 1/16 (Incls. Items 34 & 40) .....	1
43	00-439152	Plate Assy. – Shredder 3/32 (Incls. Items 35 & 40) .....	1
44	00-439153	Plate Assy. – Shredder 1/8 (Incls. Items 36 & 40) .....	1
45	00-439154	Plate Assy. – Shredder 3/16 (Incls. Items 37 & 40) .....	1
46	00-439155	Plate Assy. – Shredder 7/32 (Incls. Items 38 & 40) .....	1
47	00-439156	Plate Assy. – Shredder 5/16 (Incls. Items 39 & 40) .....	1
48	00-479100	Ring – Center .....	1
49	00-439939	Ring – Outer (Type 1) .....	1
50	SC-121-13	Mach. Screw M4 x 0.7 x 8 mm Slotted Flat Hd. ....	8
51	00-477791	Kit – Knife 9/32 .....	1
52	00-477792	Kit – Knife 3/8 .....	1
53	00-477793	Kit – Knife 1/2 .....	1
54	00-477794	Kit – Knife 5/8 .....	1
55	00-477795	Kit – Knife 3/4 .....	1
56	00-439946	Ring – Outer (Type 2) .....	1
57	00-479556	Plate Assy. – 1 Dicer (Incls. Items 48, 50, 56, & 58) .....	1
58	00-479555	Kit – Knife 1 .....	1
	00-439297	Plate – French Fry 3/8 (Not Shown) .....	1
	00-274372	Rack – Wall .....	1

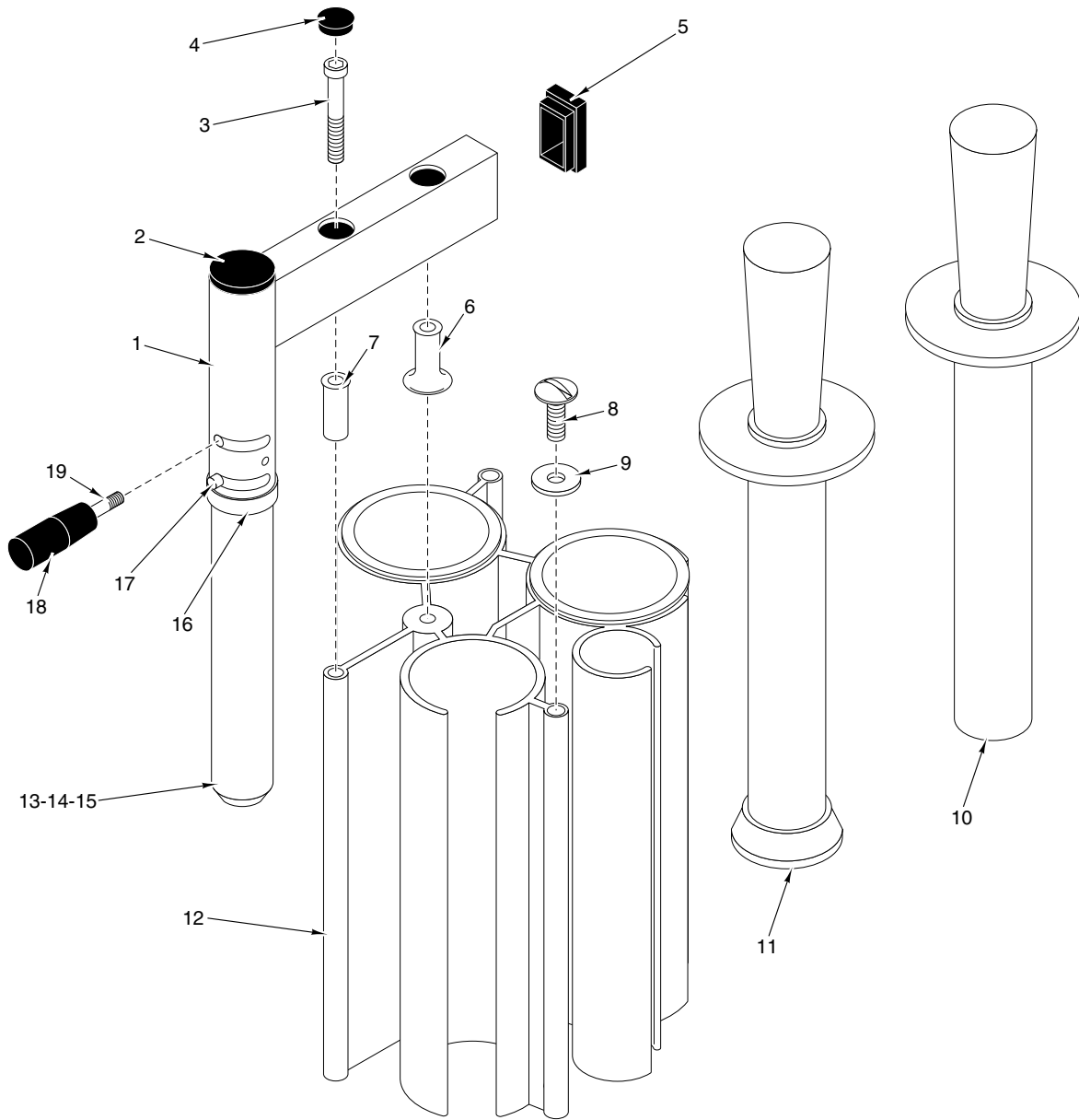


**FEED HOPPER ASSEMBLY**

PL-55538

**FEED HOPPER ASSEMBLY**

ILLUS. PL-55538	PART NO.	NAME OF PART	AMT.
1	00-478848	Insert – Hopper .....	1
2	SC-124-31	Mach. Screw M6 x 1 x 16 mm Slotted Truss Hd. ....	1
3	00-478867	Washer .....	2
4	00-478866	Knob – Crank.....	1
5	NS-047-34	Nut M6 x 1 Crown .....	1
6	00-478861	Crank – Hopper .....	1
7	00-478860	Lever – Stir .....	1
8	00-478824	Shaft .....	1
9	00-478865	Bushing .....	1
10	00-478841	Pin – Bayonet.....	1
11	00-478889	Ball .....	1
12	00-478890	Spring .....	1
13	00-478883	Handle .....	1
14	00-478884	Plug .....	1
15	00-477254	Screw – Handle .....	1
16	00-478862	Agitator – Screw (Use to Secure Cutting Plates).....	1

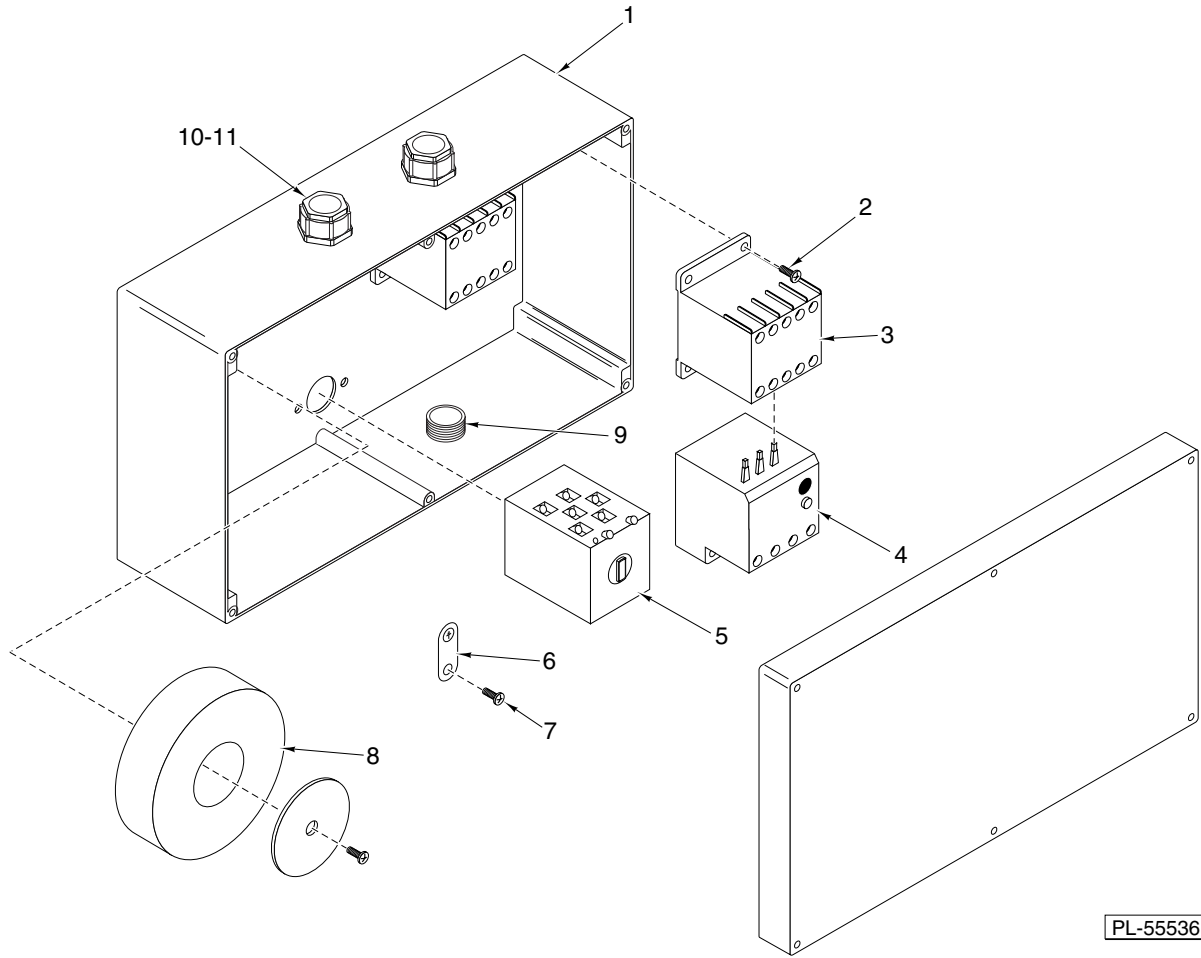


PL-55539

**TUBE FEED ASSEMBLY**

**TUBE FEED ASSEMBLY**

ILLUS. PL-55539	PART NO.	NAME OF PART	AMT.
1	00-479576	Stand – Tube Feeder .....	1
2	00-478884	Plug .....	1
3	SC-117-18	Cap Screw M8 x 1.25 x 40 mm Soc. Hex Hd. ....	2
4	00-479574	Plug .....	2
5	00-479573	Plug – Rectangle .....	1
6	00-479572	Spacer – Flanged .....	1
7	00-479571	Spacer .....	1
8	SC-119-03	Mach. Screw M8 x 1.25 x 16 mm Slotted Mushroom Hd. ....	2
9	00-479570	Washer – Special .....	2
10	00-479567	Plunger – Narrow .....	1
11	00-479568	Plunger – Wide .....	1
12	00-479575	Insert – 4 Tube .....	1
13	00-478824	Shaft .....	1
14	00-478889	Spring .....	1
15	00-478890	Ball .....	1
16	00-478865	Bushing .....	1
17	00-478841	Pin – Bayonet .....	1
18	00-478883	Handle .....	1
19	00-477254	Screw – Handle .....	1
	00-479569	Bolt – Locking (Use to Secure Cutting Plates) .....	1



**ELECTRICAL BOX ASSEMBLY**

ILLUS. PL-55536	PART NO.	NAME OF PART	AMT.
1	00-478899	Box – Electrical (With Lid) .....	1
2	SC-118-28	Mach. Screw M4 x 0.7 x 12 mm Slotted Pan Hd. ....	3
3	00-087713-089-4	Contactor (24 VAC) .....	2
4	00-479102	Relay – Overload .....	1
5	00-479035	Switch – Speed Assy. (Includes Hardware) .....	1
6	00-478892	Plate – Ground .....	1
7	SC-124-29	Mach. Screw M3 x 0.5 x 12 mm Slotted Flat Hd. ....	1
8	00-478907	Transformer .....	1
9	00-478894	Seal – Cable .....	2
10	00-478893	Seal – Cable .....	1
11	00-478895	Nut – Special .....	2