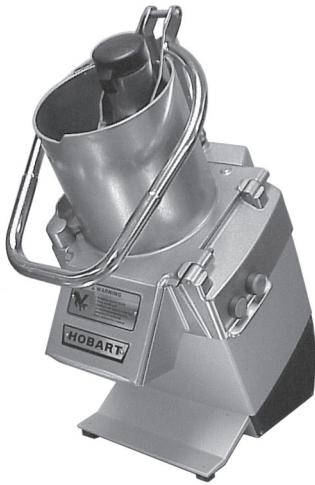




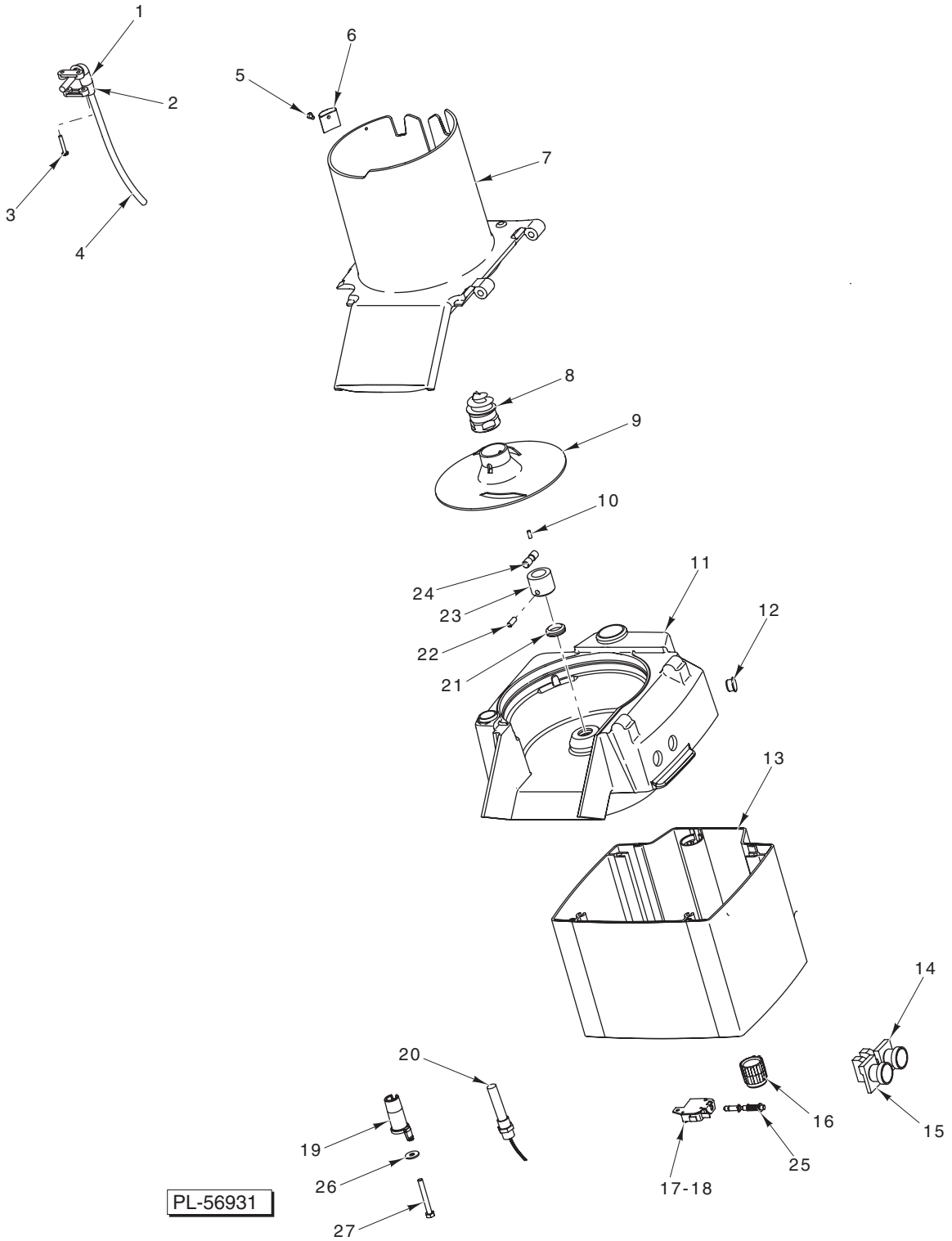
# CATALOG OF REPLACEMENT PARTS



## MODEL FP250 FOOD PROCESSOR

FP250

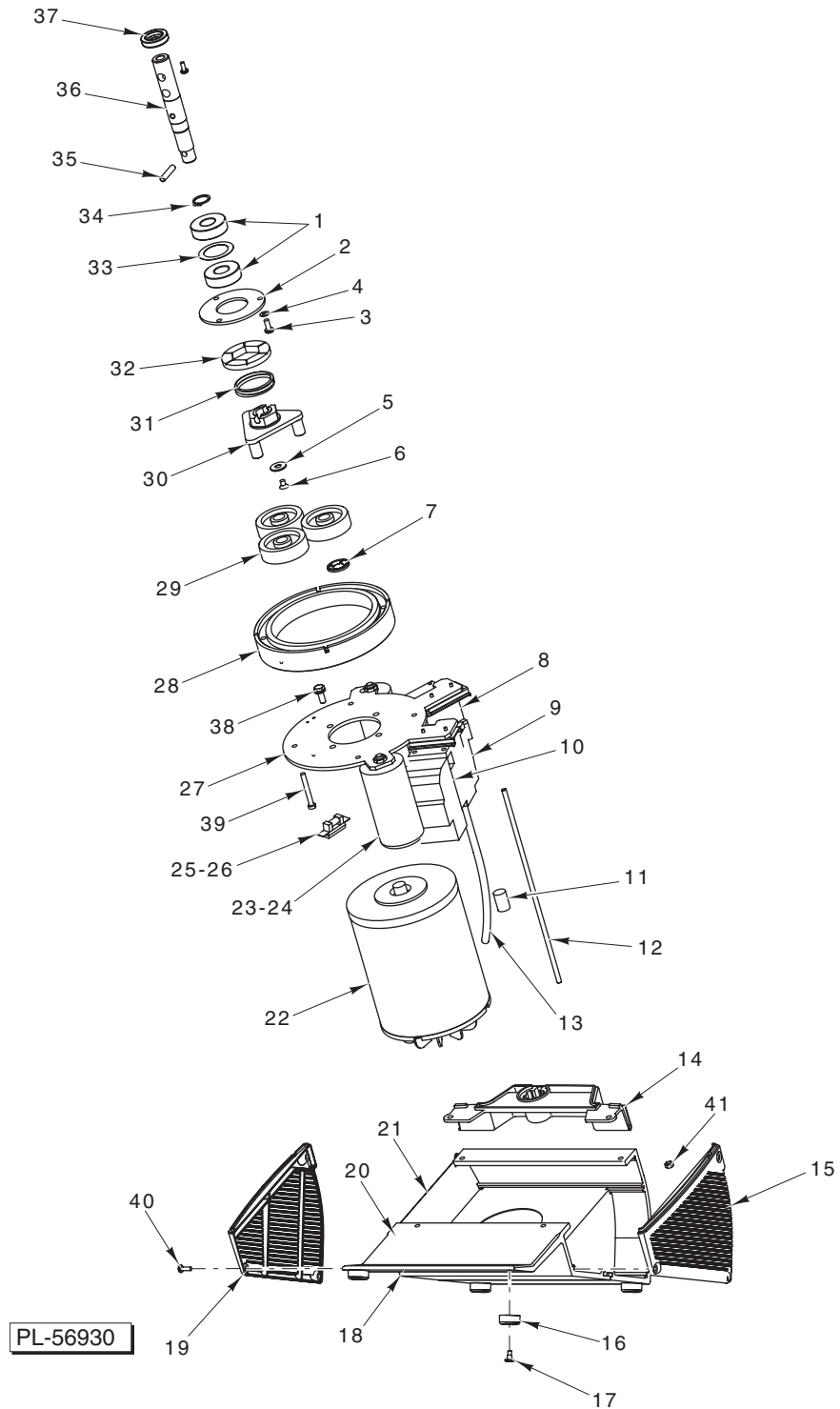
ML-134228



HOUSING

**HOUSING**

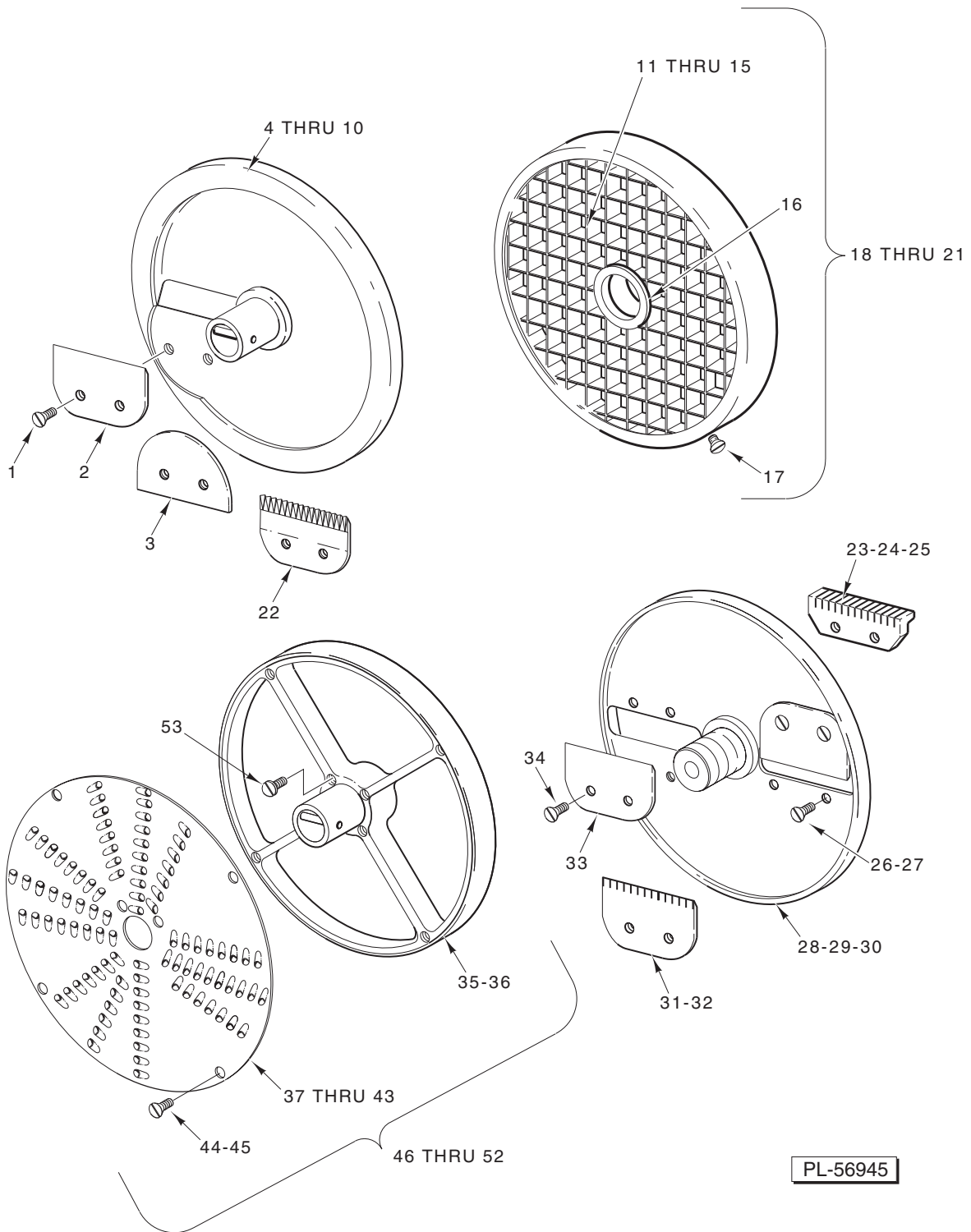
| ILLUS.   | PART NO.  | NAME OF PART   | AMT. |
|----------|-----------|--|------|
| PL-56931 |           |  |      |
| 1        | 00-875641 | Sleeve .....   | 1    |
| 2        | 00-875642 | Clamp – Strain Relief .....                                      | 2    |
| 3        | SC-122-38 | Mach. Screw M4 x 0.7 x 25 mm Phil. Pan Hd. (SST) .....           | 2    |
| 4        | 00-274857 | Cable W/Plug .....   | 1    |
| 5        | SC-123-02 | Mach. Screw M4 x 0.7 x 10 mm Slotted Oval Hd. ....               | 1    |
| 6        | 00-875634 | Support – Piston .....   | 1    |
| 7        | 00-875635 | Feed Hopper Assy. ....   | 1    |
| 8        | 00-436420 | Screw – Decoring .....   | 1    |
| 9        | 00-875636 | Ejector .....  | 1    |
| 10       | SC-121-48 | Set Screw M8 x 1.25 x 12 mm Slotted Hdls., Cup Point (SST) ..... | 1    |
| 11       | 00-875637 | Chamber – Knife .....  | 1    |
| 12       | 00-479574 | Plug .....   | 1    |
| 13       | 00-875643 | Housing Assy. – Machine .....                                    | 1    |
| 14       | 00-875522 | Button – Stop Assy. ....   | 1    |
| 15       | 00-875523 | Button – Start Assy. ....  | 1    |
| 16       | 00-875638 | Bushing – Guide .....  | 1    |
| 17       | 00-875639 | Switch – Safety .....  | 1    |
| 18       | SD-039-26 | Self-Tapping Screw M4 x 10 mm Pan Hd., Type BT (SST) .....       | 2    |
| 19       | 00-875624 | Collar .....   | 1    |
| 20       | 00-477264 | Switch – Reed .....  | 1    |
| 21       | 00-274321 | Washer – Seal .....  | 1    |
| 22       | 00-274323 | Pin .....  | 1    |
| 23       | 00-436418 | Sleeve – Thrust .....  | 1    |
| 24       | 00-436419 | Pin – Carrier .....  | 1    |
| 25       | 00-875640 | Pin – Activator .....  | 1    |
| 26       | WS-030-43 | Washer (SST) .....   | 1    |
| 27       | SC-200-06 | Mach. Screw M6 x 1.0 x 40 mm Slotted Pan Hd. ....                | 1    |



**MOTOR AND BASE**

**MOTOR AND BASE**

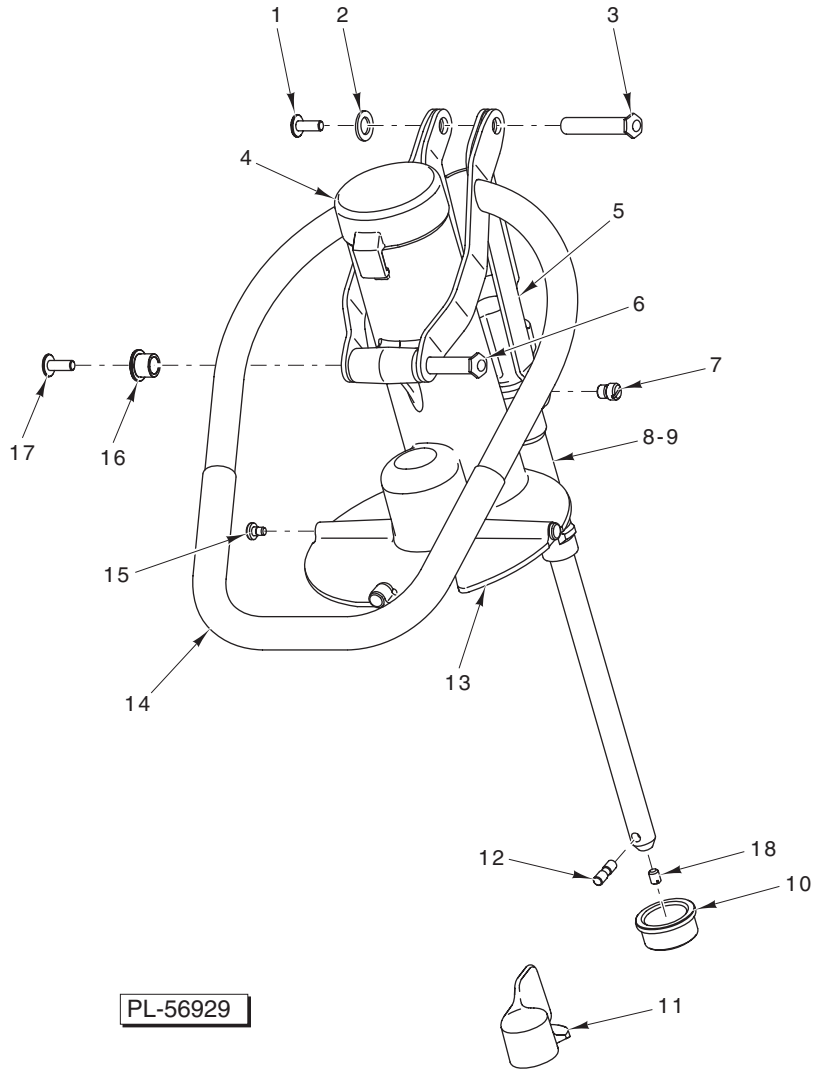
| ILLUS.   | PART NO.        | NAME OF PART  | AMT. |
|----------|-----------------|---|------|
| PL-56930 |                 |   |      |
| 1        | BB-017-09       | Bearing – Ball .....  | 2    |
| 2        | 00-274403       | Shim – Brake .....  | 1    |
| 3        | SC-120-92       | Mach. Screw M5 x 0.8 x 12 mm Slotted Cheese Hd. (SST) .....             | 3    |
| 4        | WL-019-75       | Lockwasher M5 Helical .....   | 3    |
| 5        | 00-274376       | Washer – Spring .....   | 1    |
| 6        | SC-120-93       | Mach. Screw M5 x 0.8 x 10 mm Hex Flat Hd. (SST) .....                   | 1    |
| 7        | 00-274398       | Washer – Planetary .....  | 3    |
| 8        | 00-087713-089-1 | Contactora (110 V.) .....   | 1    |
| 9        | 00-875526       | Contactora (110 V.) .....   | 1    |
| 10       | 00-875654       | Relay – Overload .....  | 1    |
| 11       | 00-274344       | Circuit – RC .....  | 1    |
| 12       | 00-875656       | Kit – Draw Bar .....  | 1    |
| 13       | 00-875657       | Kit – Wiring .....  | 1    |
| 14       | 00-875644       | Handle .....  | 1    |
| 15       | 00-875645       | Louver – Right .....  | 1    |
| 16       | 00-478891       | Foot – Rubber .....   | 4    |
| 17       | 00-478943       | Screw – Special .....   | 4    |
| 18       | 00-875627       | Base .....  | 1    |
| 19       | 00-875628       | Louver – Left .....   | 1    |
| 20       | 00-875666       | Plate – Fan (Outlet) .....  | 1    |
| 21       | 00-875665       | Plate – Fan (Inlet) .....   | 1    |
| 22       | 00-875626       | Motor .....   | 1    |
| 23       | 00-875655       | Capacitor .....   | 1    |
| 24       | 00-875663       | Capacitor .....   | 1    |
| 25       | 00-477269       | Holder – Fuse .....   | 1    |
| 26       | 00-477268       | Fuse .....  | 1    |
| 27       | 00-875625       | Plate – Motor .....   | 1    |
| 28       | 00-274397       | Ring – Planetary .....  | 1    |
| 29       | 00-274402       | Wheel – Planetary .....   | 3    |
| 30       | 00-274393       | Carrier – Planet .....  | 1    |
| 31       | 00-274394       | Spring – Pressure .....   | 1    |
| 32       | 00-274336       | Disk – Brake .....  | 1    |
| 33       | 00-274399       | Spacer – Bearing .....  | 1    |
| 34       | 00-274400       | Clip – Bearing .....  | 1    |
| 35       | RP-006-24       | Pin – Roll .....  | 1    |
| 36       | 00-436416       | Shaft – Knife .....   | 1    |
| 37       | 00-274333       | Washer – Rubber Seal .....  | 1    |
| 38       | SC-118-58       | Cap Screw M6 x 1.0 x 12 mm Hex Hd. (SST) .....                          | 4    |
| 39       | SC-120-91       | Mach. Screw M5 x 0.8 x 40 mm Slotted Cheese Hd. (SST) .....             | 4    |
| 40       | SD-038-39       | Self-Tapping Screw 3.5 mm x 13 mm Slotted Oval Hd., Type AB (SST) ..... | 6    |
| 41       | NS-048-90       | Nut – Stop M5 x 0.8 (SST) .....   | 4    |



**ACCESSORIES**

ACCESSORIES

| ILLUS.<br>PL-56945 | PART NO.        | NAME OF PART   | AMT. |
|--------------------|-----------------|--|------|
| 1                  | SC-120-82       | Mach. Screw M5 x 0.8 x 6 mm Slotted Flat Hd. (SST)                     | AR   |
| 2                  | 00-274317       | Knife – Standard Slicer  | AR   |
| 3                  | 00-274318       | Knife – Fine Slicer  | AR   |
| 4                  | 00-477570       | Plate Assy. 1/8 Fine Slicer (Incls. Items 1 & 3)                       | 1    |
| 5                  | 00-436411-00001 | Plate Assy. 1/16 Fine Slicer (Incls. Items 1 & 3)                      | 1    |
| 6                  | 00-436412-00004 | Plate Assy. 3/16 Fine Slicer (Incls. Items 1 & 3)                      | 1    |
| 7                  | 00-436412-00001 | Plate Assy. 5/32 Fine Slicer (Incls. Items 1 & 3)                      | 1    |
| 8                  | 00-436412-00002 | Plate Assy. 7/32 Fine Slicer (Incls. Items 1 & 3)                      | 1    |
| 9                  | 00-436412-00003 | Plate Assy. 3/8 Fine Slicer (Incls. Items 1 & 3)                       | 1    |
| 10                 | 00-436460       | Plate Assy. 3/16 Crimping Slicer (Incls. Items 1 & 22)                 | 1    |
| 11                 | 00-477782       | Kit – Dicing Grid Knife 3/32   | 1    |
| 12                 | 00-477783       | Kit – Dicing Grid Knife 3/8  | 1    |
| 13                 | 00-477784       | Kit – Dicing Grid Knife 5/8  | 1    |
| 14                 | 00-477785       | Kit – Dicing Grid Knife 3/4  | 1    |
| 15                 | 00-435116       | Kit – French Fry Knife   | 1    |
| 16                 | 00-477716       | Ring – Center Grid   | 1    |
| 17                 | SC-120-83       | Mach. Screw M4 x 0.7 x 6 mm Slotted Flat Hd. (SST)                     | 4    |
| 18                 | 00-477712       | Plate Assy. – Dicer 3/32 (Incls. Items 11, 16, & 17)                   | 1    |
| 19                 | 00-477713       | Plate Assy. – Dicer 3/8 (Incls. Items 12, 16, & 17)                    | 1    |
| 20                 | 00-477714       | Plate Assy. – Dicer 5/8 (Incls. Items 13, 16, & 17)                    | 1    |
| 21                 | 00-477715       | Plate Assy. – Dicer 3/4 (Incls. Items 14, 16, & 17)                    | 1    |
| 22                 | 00-435128       | Knife – Crimping Slicer  | AR   |
| 23                 | 00-437550       | Knife – Balk 3/16 (Use With Item 31)                                   | 1    |
| 24                 | 00-437549       | Knife – Balk 3/32 (Use With Item 33)                                   | 1    |
| 25                 | 00-437552       | Knife – Balk 5/16 (Use With Item 32)                                   | 1    |
| 26                 | SC-118-26       | Mach. Screw M4 x 0.7 x 10 mm Slotted Flat Hd. (SST)                    | AR   |
| 27                 | SC-120-83       | Mach. Screw M4 x 0.7 x 6 mm Slotted Flat Hd. (SST)                     | AR   |
| 28                 | 00-437252       | Plate Assy. – Julienne 3/32 (Incls. Items 24, 26, 33, & 34)            | 1    |
| 29                 | 00-436423-00001 | Plate Assy. – Julienne 3/16 (Incls. Items 23, 27, 31, & 34)            | 1    |
| 30                 | 00-437254       | Plate Assy. – Julienne 5/16 (Incls. Items 25, 27, 32, & 34)            | 1    |
| 31                 | 00-294968       | Knife – Julienne 3/16 (Use With Item 23)                               | AR   |
| 32                 | 00-294968-00003 | Knife – Julienne 5/16 (Use With Item 25)                               | AR   |
| 33                 | 00-274317       | Knife – Standard Slicer (Use With Item 24 for 3/32 Julienne)           | AR   |
| 34                 | SC-120-82       | Mach. Screw M5 x 0.8 x 6 mm Slotted Flat Hd. (SST)                     | AR   |
| 35                 | 00-436415       | Frame (For 1/16, 3/32, 1/8, 3/16, 7/32 Shredder Inserts & Fine Grater) | 1    |
| 36                 | 00-436414       | Frame (For 5/16 Shredder Inserts)                                      | 1    |
| 37                 | 00-435734       | Insert – 1/16 Shredder Plate   | 1    |
| 38                 | 00-274320       | Insert – 3/32 Shredder Plate   | 1    |
| 39                 | 00-274409       | Insert – 1/8 Shredder Plate  | 1    |
| 40                 | 00-274343       | Insert – 3/16 Shredder Plate   | 1    |
| 41                 | 00-274410       | Insert – 5/16 Shredder Plate   | 1    |
| 42                 | 00-435735       | Insert – 7/32 Shredder Plate   | 1    |
| 43                 | 00-436462       | Insert – Fine Grater   | 1    |
| 44                 | SD-037-39       | Self-Tapping Screw 2.9 mm x 13 mm Slotted Flat Hd., Type AB (SST)      | AR   |
| 45                 | SD-038-39       | Self-Tapping Screw 3.5 mm x 13 mm Slotted Oval Hd., Type AB (SST)      | 4    |
| 46                 | 00-436484       | Plate Assy. – Fine Grater (Incls. Items 35, 43, & 44)                  | 1    |
| 47                 | 00-436407-00001 | Plate Assy. – Shredder 1/16 (Incls. Items 35, 37, & 44)                | 1    |
| 48                 | 00-436407-00002 | Plate Assy. – Shredder 3/32 (Incls. Items 35, 38, & 44)                | 1    |
| 49                 | 00-436407-00003 | Plate Assy. – Shredder 1/8 (Incls. Items 35, 39, & 44)                 | 1    |
| 50                 | 00-436407-00004 | Plate Assy. – Shredder 3/16 (Incls. Items 36, 40, 44, & 45)            | 1    |
| 51                 | 00-436407-00005 | Plate Assy. – Shredder 7/32 (Incls. Items 36, 42, 44, & 45)            | 1    |
| 52                 | 00-436407-00006 | Plate Assy. – Shredder 5/16 (Incls. Items 36, 41, 44, & 45)            | 1    |
| 53                 | SD-038-39       | Self-Tapping Screw 3.5 mm x 13 mm Slotted Oval Hd., Type AB (SST)      | 4    |
|                    | 00-274372       | Rack – Wall (Incls. Label)   | 1    |
|                    | 00-274329       | Brush – Cleaning   | 1    |
|                    | 00-436421       | Wrench – Decoring Screw  | 1    |



**MANUAL PUSH FEED AND PLUNGER**

| ILLUS.   | PART NO.  | NAME OF PART   | AMT. |
|----------|-----------|--|------|
| PL-56929 |           |  |      |
| 1        | 00-875614 | Screw – Link .....                                       | 2    |
| 2        | 00-875615 | Washer (Plastic) .....                                   | 2    |
| 3        | 00-875616 | Shaft (L 45) .....                                       | 1    |
| 4        | 00-875629 | Plunger (Hobart) .....                                   | 1    |
| 5        | 00-875630 | Link .....   | 1    |
| 6        | 00-875618 | Shaft (L56) .....  | 2    |
| 7        | 00-875631 | Screw – Link .....                                       | 2    |
| 8        | 00-875632 | Sleeve – Link .....                                      | 1    |
| 9        | 00-875633 | Bushing .....  | 2    |
| 10       | 00-875622 | Bushing .....  | 1    |
| 11       | 00-875623 | Handle – Locking .....                                   | 1    |
| 12       | 00-875621 | Pin .....  | 1    |
| 13       | 00-875620 | Plate – Feeder .....                                     | 1    |
| 14       | 00-875619 | Handle – Pusher .....                                    | 1    |
| 15       | 00-478905 | Knob – Slide .....                                       | 3    |
| 16       | 00-875617 | Bushing .....  | 1    |
| 17       | 00-875614 | Screw – Link .....                                       | 2    |
| 18       | SC-128-58 | Set Screw M6 x 1.0 x 8 mm Hex Hdls., Cup Pt. (SST) ..... | 1    |