

CATALOG OF REPLACEMENT PARTS



SALAMANDER-BROILERS

MODELS

<i>RB36</i>	<i>ML-768183</i>
<i>CRB36</i>	<i>ML-768187</i>
<i>FRB36</i>	<i>ML-768186</i>
<i>IRB36</i>	<i>ML-768188</i>
<i>CIRB36</i>	<i>ML-768190</i>
<i>FIRB36</i>	<i>ML-768189</i>



For additional information on Wolf Range or to locate an authorized parts and service provider in your area, visit our website at www.wolfrange.com

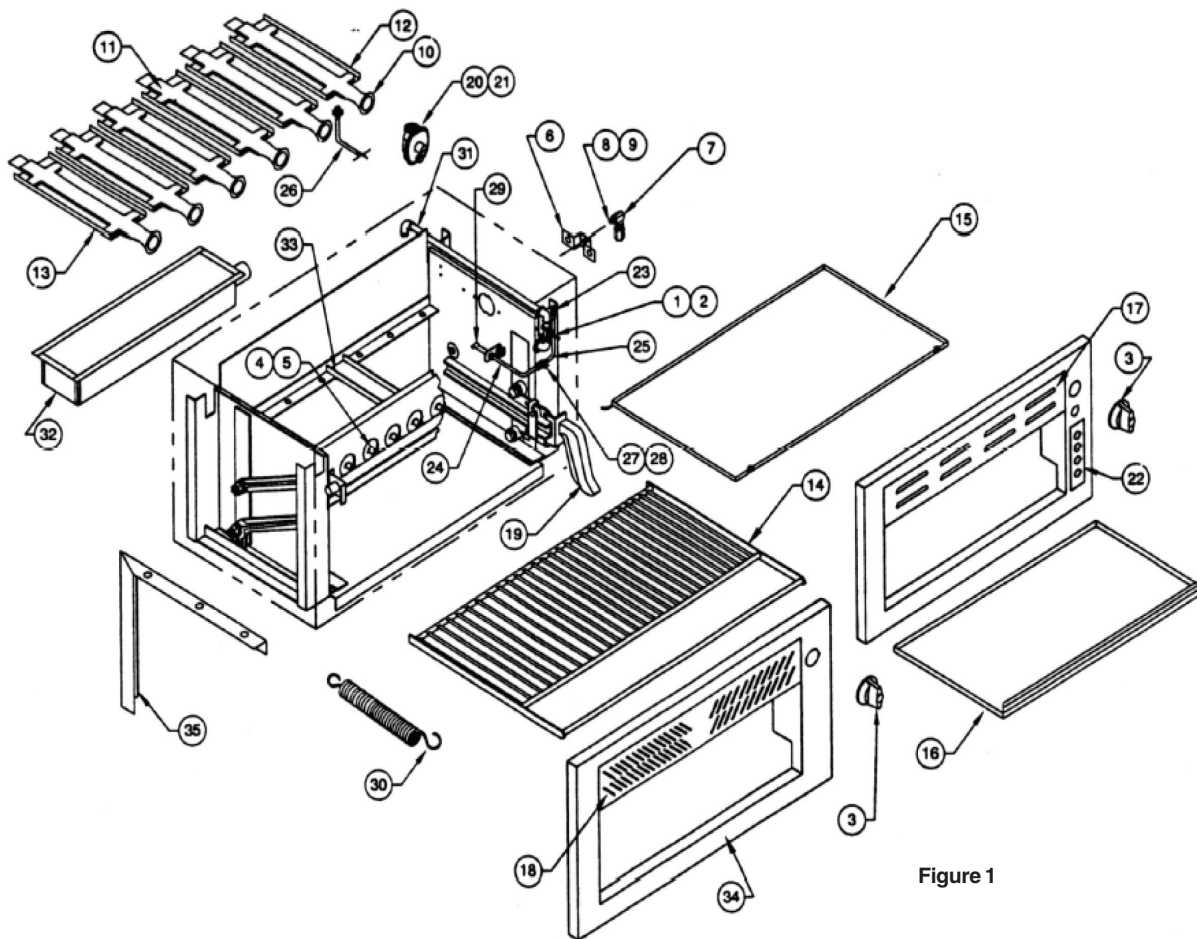


Figure 1

REPLACEMENT PARTS LIST

ILLUS.	PART NO.	NAME OF PART	AMT.
Figure 1			
1	00-712020	Shut-Off Valve (Canada)	1
2	00-712043	Shut-Off Valve	1
3	00-719256-00002	Shut-Off Valve, Knob (Black)	1
4	00-719951-00053	Orifice (Nat. Gas) (Cast Iron Burners)	1
5	00-719951-00061	Orifice (LP Gas) (Cast Iron Burners)	1
	00-719206	Hood Fitting for Cast Iron Burner Orifice	6
6	00-753363	Orifice Bracket	1
7	00-713944	90° Elbow	1
8	00-713967-00041	Infrared Burner Orifice (Nat. Gas)	1
9	00-713967-00052	Infrared Burner Orifice (LP Gas)	1
10	00-719265	Air Shutter	1
11	00-712001-000A2	Burner Assy. (Cast iron)	6
	00-712001	Burner Only (Cast Iron)	6
12	00-702069-00002	Burner Radiant Only (RH) (SS) (Cast Iron Burner)	6
13	00-702070-00002	Burner Radiant Only (LH) (SS) (Cast Iron Burner)	6
	00-719352	Radiant Pin (Cast Iron Burner)	4
	00-730403	Cotter Pin (Cast Iron Burner)	1
14	00-702317-0000A	Broiler Rack Assy.	1
15	00-702319-0000A	Broiler Rack Drip Tray	1

REPLACEMENT PARTS LIST (CONT.)

ILLUS.	PART NO.	NAME OF PART	AMT.
Figure 1			
16	00-702321-0000A	Drip Pan Lower	1
17	00-702022-00001	Louver Panel (SS)	1
18	00-753266-00001	Louver Panel (SS) (IR)	1
19	00-702316-0000A	Trigger Handle Assy. Complete	1
20	00-408279-00025	Regulator (Nat. Gas)	1
21	00-408279-00021	Regulator (LP Gas)	1
22	00-712004-000PL	Index Plate	1
23	00-719153	90 Deg. Elbow $\frac{1}{8}$ " IPT X $\frac{3}{16}$ " CC	1
24	00-719122	Pilot Tube $\frac{3}{16}$ "	1
25	00-753381	$\frac{1}{4}$ " Pilot Tubing - 7- $\frac{1}{2}$ " Long	1
26	00-719136-0000A	Pilot Tip & Tube Assy. (Cast Iron Burners Only)	1
27	00-715039	Pilot Valve	1
28	00-715086	Pilot Adjustment Fitting	1
29	00-718327	Infrared Burner Pilot Assy.	1
	00-715007	LP Gas Pilot Orifice	1
30	00-712017	Rack Elevator Spring	1
31	00-753361-0000A	Manifold Assy.	1
32	00-712365	Infrared Burner	1
33	00-753366-0000A	Heat Deflector Assy.	1
34	00-702411-0000A	Front Frame (SS)	1
35	00-702415-00APL	Wall Mounting Bracket	2
	00-712013	Sub-Manifold for Cast Iron Burners	1
	00-753368-0000A	Infrared Burner Rest	1
	00-851614-00002	$\frac{3}{8}$ " X 12" Flex Tube	1
	00-722229	$\frac{1}{4}$ " X 18" Flex Tube	1

**RECOMMENDED SPARE PARTS
STANDARD RB36 / INFRA RED IRB36**

PART NO.	NAME OF PART	AMT.
00-712043	Burner Valve	2
00-719256-00002	Black Knob	2
00-712001-000A2	Cast Iron Burner Assy. W/Radiants	2
00-712001	Cast Iron Burner (Only)	2
00-702069-00002	Right Radiant (Only)	2
00-702070-00002	Left Radiant (Only)	2
00-719352	Mounting Pins (RH & LH Radiants)	2
00-712365	IR Infra Red Burner	2
00-718327	Pilot Assy. (Infra Red Burner)	2
00-711339-0000N	Pilot Orifice (Nat. Gas)	2
00-711339	Pilot Orifice (LP Gas)	2
00-408279-00025	Regulator (Nat. Gas)	2
00-408279-00021	Regulator (LP Gas)	2