

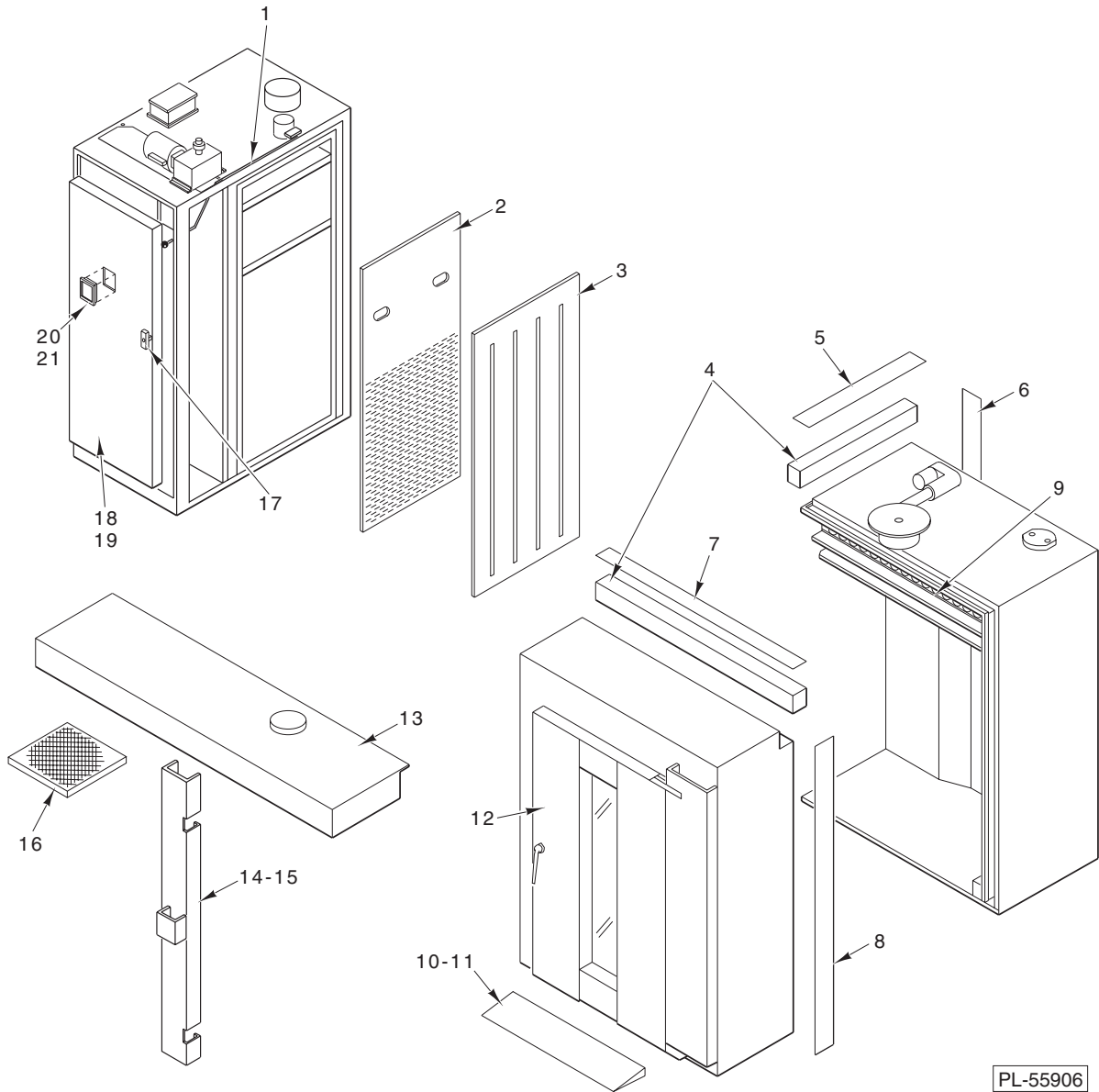


CATALOG OF

REPLACEMENT PARTS

**MODEL DRO2G
RACK OVEN**

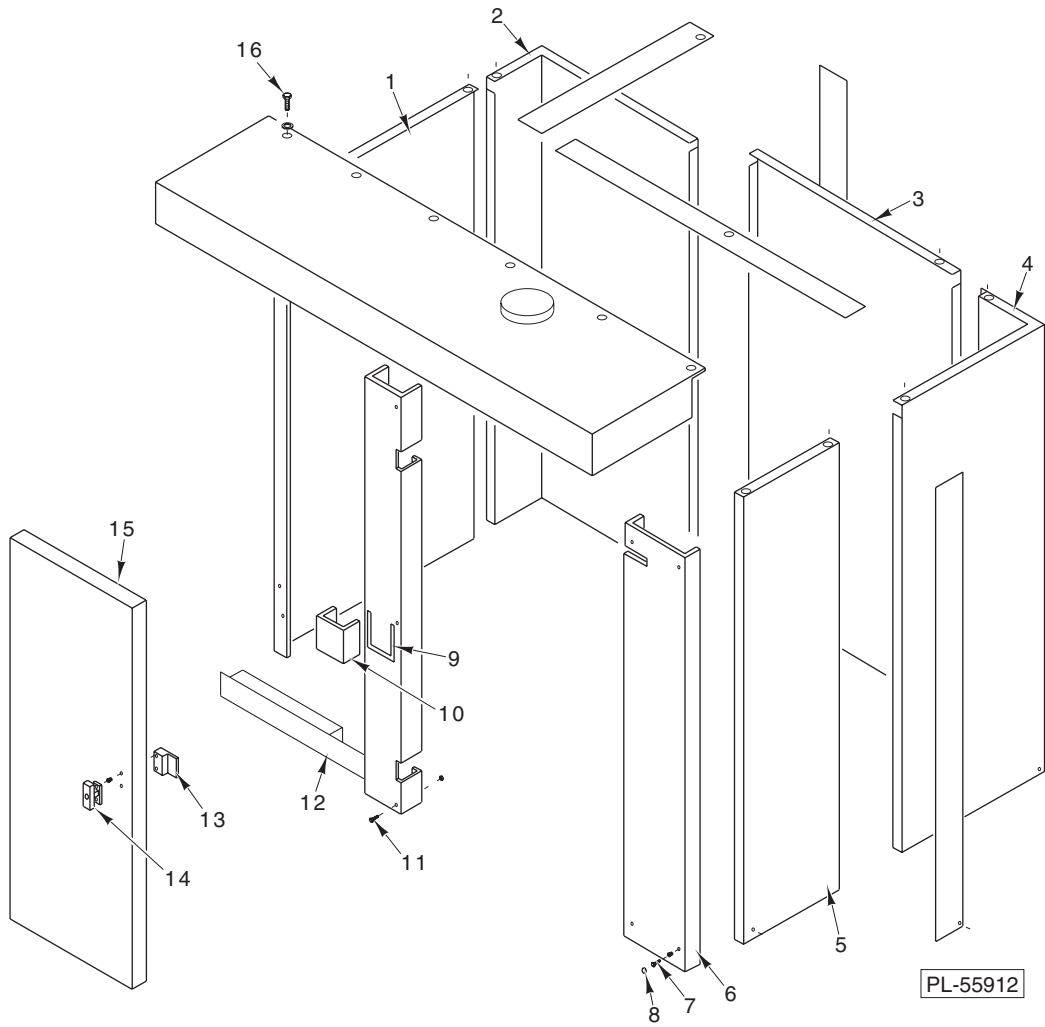




ROTARY OVEN ASSEMBLY

ROTARY OVEN ASSEMBLY

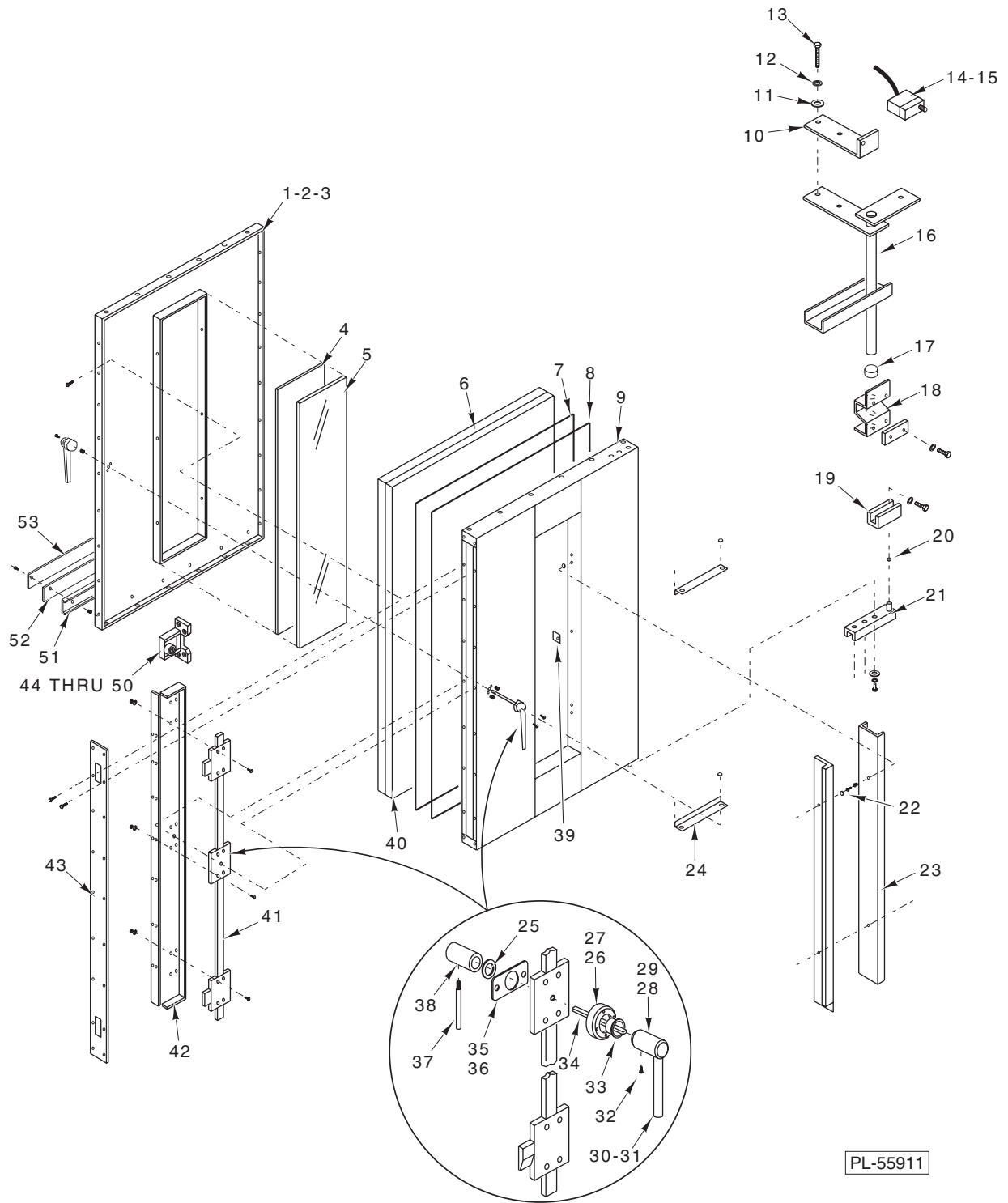
ILLUS.	PART NO.	NAME OF PART	AMT.
PL-55906			
1	00-630172-00031	Rod – Damper	1
2	00-630130-00002	Plate – Return Air Perforated	1
3	00-630131	Adjustable Slotted Plate Assy.	1
4	00-630130-00038	Strip – Insulation	2
5	00-630130-00007	Strip (Right and Left Section)	1
6	00-630130-00010	Strip – Vertical (Back)	1
7	00-630130-00006	Strip (Back and Front Section)	1
8	00-630130-00011	Strip – Vertical (Right)	1
9	00-837002-00001	Gasket – Fiberglass	AR
10	00-630171-00013	Ramp Assy.	1
11	00-630161-00002	Mach. Screw 8-32 x 1/2 Slotted Hd.	4
12	00-630113	Door Assy.	1
13	00-630197	Hood Assy.	1
14	00-630130-00009	Panel – Vertical Filler (Left)	1
15	00-630174-00062	Panel – Vertical Filler (Right)	1
16	00-630152-00007	Filter	3
17	00-630151-00023	Handle – Burner Door	1
18	00-630108	Burner Door Assy. (With Sysmac Control)	1
19	00-630193	Burner Door Assy. (With Electronic Control)	1
20	00-630142-00088	Electronic Control Box Assy.	1
21	00-630143-00003	Control-Oven Programmable	1
	00-630161-00011	Plug – Button	1
	00-630151-00057	Key – Allen (For Electrical Box)	1
	00-791219	Facia – Top	1
	00-630161-00011	Plug – Button	1
	00-630161-00001	Wedge – Oven	36
	01-009485	Socket – Light (Rear Glass Unit)	1



FILLER PIECES ASSEMBLY

FILLER PIECES ASSEMBLY

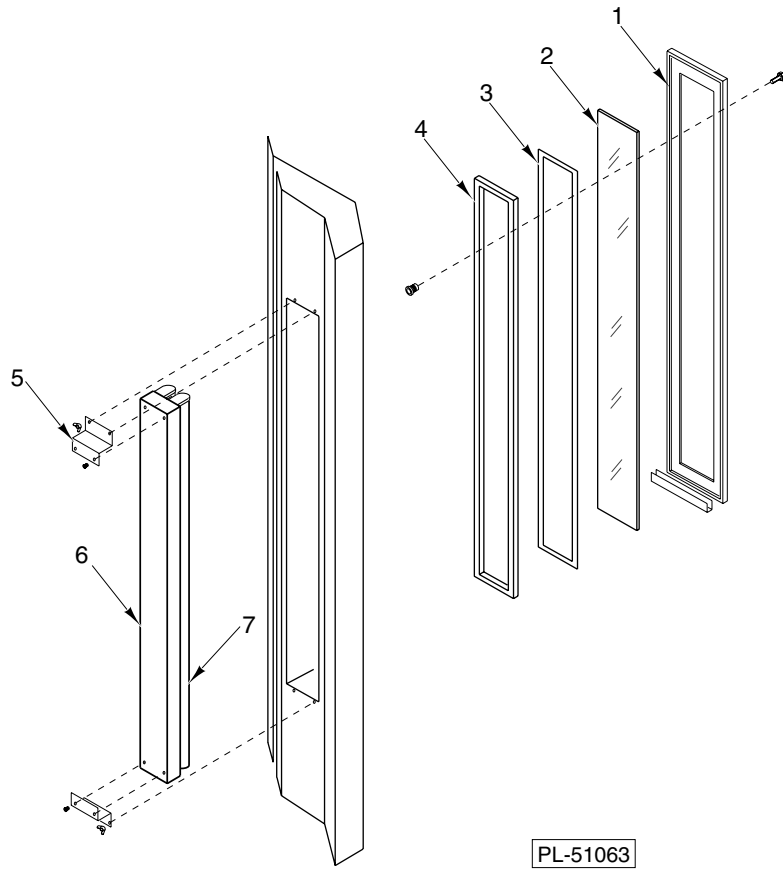
ILLUS. PL-55912	PART NO.	NAME OF PART	AMT.
1	00-630101-00001	Side – Left Exterior	1
2	00-630191-00002	Back – Left Exterior	1
3	00-630125-00002	Clad – External Back	1
4	00-630125-00001	Clad – External Right Corner	1
5	00-630111-00001	Clad – External	1
6	00-630130-00008	Panel – Vertical Filler (Right)	1
7	00-630161-00002	Mach. Screw 8-32 x 1/2 Slotted Hd.	4
8	00-630161-00011	Button – Plug 1/2 (SST)	3
9	00-630151-00054	Tape – Double Adhesive (1/2 x 0.050 In. Thick)	1
10	00-630130-00028	Holder – Gloves	1
11	00-630171-00053	Mach. Screw 8-32 x 4	2
12	00-630191-00003	Panel – Burner Vent	1
13	00-630151-00024	Latch – Adjustable (For Burner Door)	1
14	00-630151-00023	Handle – Burner Door	1
15	00-630171-00039	Door – Burner Section	1
16	-	Screw 5/16-18 x 3/4 Hex Hd.	6
	00-630152-00023	Label – Hood	1



DOOR ASSEMBLY (OVEN)

ASSEMBLY (OVEN)

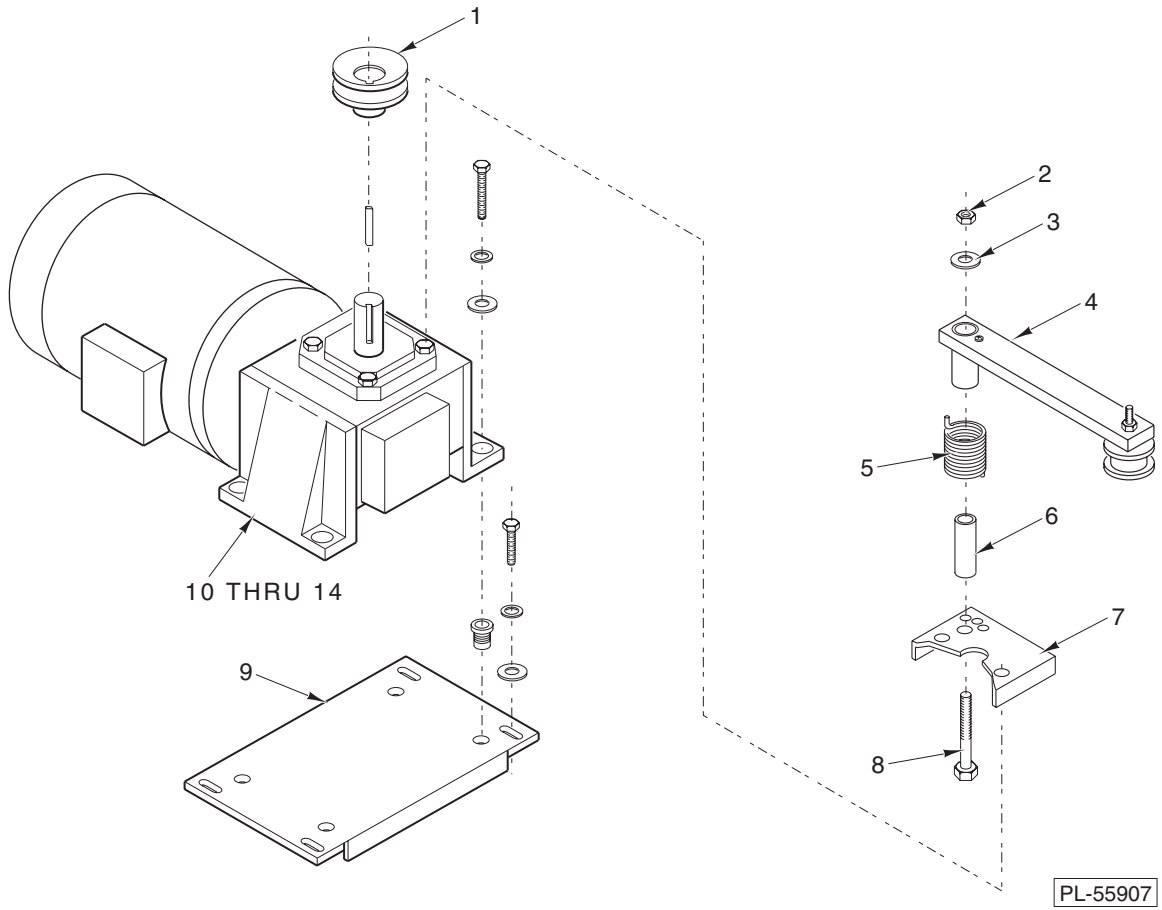
ILLUS. PL-55911	PART NO.	NAME OF PART	AMT.
1	00-630113-00005	Clad – Door (Back)	1
2	00-630151-00004	Gasket – Silicone (76 In.) (Sides)	
3	00-630151-00005	Gasket – Silicone (42 ⁵ / ₈ In.)	1
4	00-630151-00048	Silicone – Heat Resistant	AR
5	00-630151-00019	Glass – Heat Reflective 12 x 57 ¹ / ₄ x ³ / ₁₆	1
6	00-630151-00029	Rock Wool 2 Ft. x 4 Ft. x 1 ¹ / ₂ In.	2
7	00-630151-00043	Gasket – Fiberglass 1 In. x ¹ / ₁₆ In. (Comes in 100 Ft. Roll)	AR
8	00-630151-00053	Tape – Double Adhesive 1 In. (Comes in 100 Ft. Roll)	AR
9	00-630171-00007	Outside Clad Assy.	1
10	00-630130-00082	Bracket – Switch	1
11	00-630161-00009	Washer – Flat ⁵ / ₁₆	1
12	00-630161-00048	Lockwasher ³ / ₈	1
13	00-630161-00030	Bolt ⁵ / ₁₆ -16 x ³ / ₄ Hex Hd. (SST)	1
14	00-630142-00090	Switch – Micro	1
15	00-630142-00091	Case – Switch	1
16	00-630171-00041	Top Hinge & Shaft Assy.	1
17	00-630113-00011	Bushing – Door	1
18	00-630213-00001	Bracket – Top Hinge (On Door Jamb)	1
19	00-630113-00013	Bracket – Door Jamb (Bottom Hinge)	1
20	00-630113-00011	Bushing – Door	1
21	00-630171-00010	Bottom Hinge & Shaft Assy.	1
22	00-630161-00011	Button – Plug ¹ / ₂ (SST)	4
23	00-630171-00011	Vertical Moulding & Retaining Strip Assy.	2
24	00-630113-00022	Molding – Horizontal	2
25	00-630113-00040	Spacer – Inside Handle	1
26	00-630113-00037	Plate – Mounting Outside Handle	1
27	00-630161-00009	Screw 8-32 Oval Hd.	4
28	00-630113-00035	Base – Handle Outside (Previous Construction)	1
29	00-630152-00062	Shaft – Handle (Current Construction)	1
30	00-630113-00036	Shaft – Handle Outside (Previous Construction)	1
31	00-630152-00061	Handle – Outside (Current Construction)	1
32	00-630161-00080	Screw – Handle Outside	1
33	00-630113-00038	Collar – Handle Outside	1
34	00-630113-00039	Shaft – Handle	1
35	00-630113-00034	Plate – Mounting Inside Handle	1
36	00-630161-00002	Mach. Screw 8-32 x ¹ / ₂	2
37	00-630113-00033	Shaft – Inside Handle	1
38	00-630113-00032	Base – Inside Handle	1
39	00-630113-00026	Strip – Retaining	6
40	00-630113-00025	Strip – Spacing Masonite 2 x 73 ¹ / ₄	4
41	00-630151-00022	Mechanism – Handle (Main Door)	1
42	00-630113-00009	Panel – Mobile Locking Device	1
43	00-630113-00010	Cover – Locking Device	1
44	00-630440-00001	Bracket – Switch	1
45	00-630151-00090	Bearing – Roller	1
46	00-630161-00080	Cap Screw ⁵ / ₁₆ -18 x 1 Hex Hd.	1
47	00-837018-00044	Plate	1
48	SC-041-11	Screw ⁵ / ₁₆ -18 x ³ / ₄ Hex Hd. (SST)	2
49	WS-017-08	Washer (SST)	2
50	NS-048-56	Lock Nut ⁵ / ₁₆ -18	1
51	00-630113-00017	Angle – Retainer Door Wiper	1
52	00-630113-00019	Wiper – Door (Silicone)	1
53	00-630113-00018	Retainer – Door Wiper	1
	00-630113-0000G	Door – Assy. (Left Hand Open)	1
	00-630113-0000D	Door – Assy. (Right Hand Open)	1
	00-630130-00024	Label – Warning	1



LIGHT FIXTURE ASSEMBLY

LIGHT FIXTURE ASSEMBLY

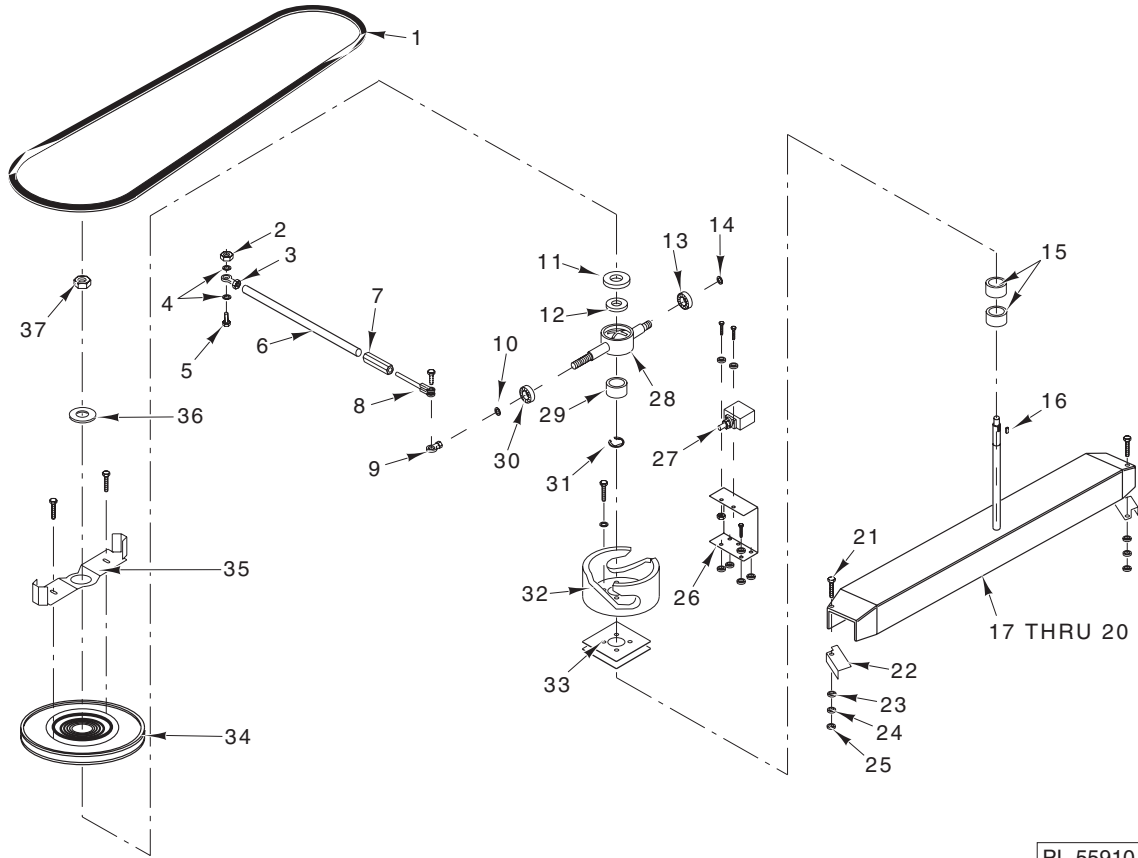
ILLUS.	PART NO.	NAME OF PART	AMT.
PL-51063			
1	00-630114-00001	Retainer – Glass	2
2	00-630151-00018	Glass – Heat Reflective 6 In. Wide x 50 In. Lg. x 3/16 Thk.	1
3	00-630151-00053	Tape – Double Adhesive 1 In. (Comes in 100 Ft. Roll)	AR
4	00-630151-00043	Gasket – Fiberglass 1 In. x 1/16 In. (Comes in 100 Ft. Roll)	AR
5	00-630114-00002	Bracket – Fluorescent	2
6	00-630141-00028	Fixture – Fluorescent (Incls. Ballast)	1
7	00-630141-00029	Tube – Fluorescent Sylvania 48 In. (F40CW)	2



RACK ROTATING DRIVE ASSEMBLY

RACK ROTATING DRIVE ASSEMBLY

ILLUS.	PART NO.	NAME OF PART	AMT.
PL-55907			
1	00-630151-00026	Pulley (2 ¹ / ₂ In.)	1
2	00-630161-00033	Nut ³ / ₈ (SST)	1
3	00-630161-00034	Washer	1
4	00-630171-00005	Belt Tightener Assy.	1
5	00-630151-00003	Spring – Torsion	1
6	00-630106-00002	Bushing	1
7	00-630171-00006	Support – Belt Tightener	1
8	00-630161-00069	Bolt ³ / ₈ -16 x 3 ¹ / ₂ (SST)	1
9	00-630106-00001	Bracket – Motor Rotating Drive	1
10	00-630152-00058	Reducer	1
11	00-630106-00008	Bracket – Motor	2
12	00-630161-00014	Bolt ³ / ₈ -16 x 3 Hex Hd.	8
13	00-630161-00048	Washer	8
14	00-630106-00009	Support – Belt Tension	1

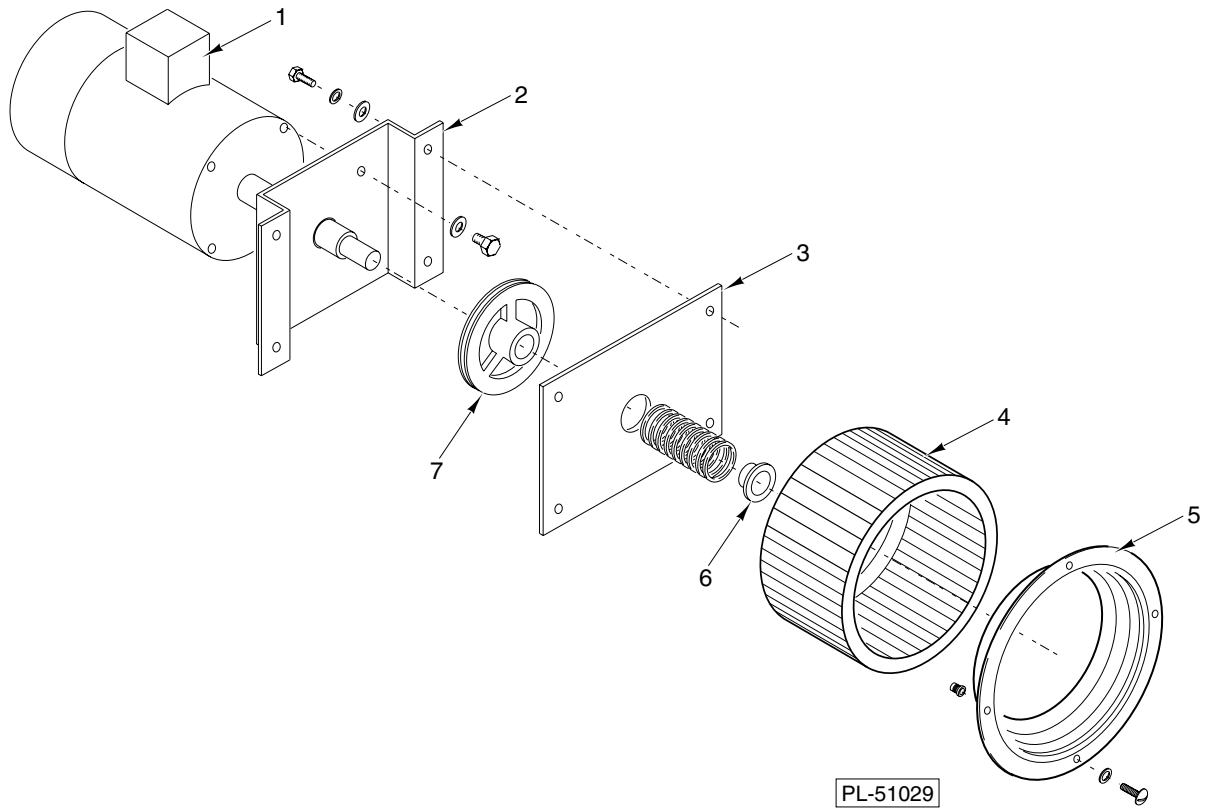


PL-55910

LIFTING DEVICE ASSEMBLY

LIFTING DEVICE ASSEMBLY

ILLUS. PL-55910	PART NO.	NAME OF PART	AMT.
1	00-630151-00001	Belt	1
2	00-630161-00006	Lock Nut 1/2-20	1
3	00-630151-00055	Joint – Ball Female 1/2	1
4	00-630161-00010	Washer	2
5	00-630161-00004	Bolt Hex 1/2 x 20 x 2 1/4	1
6	00-630152-00009	Rod	1
7	00-630152-00040	Coupling – Rod	1
8	00-630152-00041	Connector – Rod	1
9	00-630151-00055	Joint – Ball Female 1/2	1
10	00-630151-00012	Ring – Snap External 25/32	1
11	00-630121-00002	Sleeve – Lifting Device Spacing	1
12	00-630151-00015	Bearing – Thrust	1
13	00-630151-00010	Bearing – Ball	1
14	00-630151-00012	Ring – Snap External 25/32	1
15	00-630153-00051	Bushing	2
16	00-630151-00014	Key 3/8 x 3/8 x 2	1
17	00-630123	Device – Lifting Assy. (Style C)	1
18	00-630171-00056	Device – Lifting Assy. (Style C) (17/8 In. Longer)	1
19	00-630128-00001	Device – Lifting Assy. (Style A)	1
20	00-630129	Device – Lifting Assy. (Style B)	1
21	00-630161-00047	Mach. Screw 1/4-20 x 1 Flat Hd. (SST)	2
22	00-630123-00004	Device – Locking	2
23	00-630123-00005	Bushing – Locking Device	2
24	00-630161-00008	Washer	2
25	00-630161-00036	Lock Nut 1/4-20	2
26	00-630121-00006	Bracket – Limit Switch	1
27	00-630141-00016	Switch – Limit	1
28	00-630122	Pivot Bracket Assy.	1
29	00-630122-00004	Bushing	1
30	00-630151-00010	Bearing – Ball	1
31	00-630151-00013	Ring – Snap External 1 3/8	1
32	00-630121-00007	Bracket – Carriage Lift	1
33	00-630124-00003	Shim	10
34	00-630151-00016	Pulley 14 In. Dia.	1
35	00-630121-00008	Bracket – Limit Switch Pulley	1
36	00-630121-00001	Washer – Lifting Device	1
37	00-630161-00013	Lock Nut 1-14	1

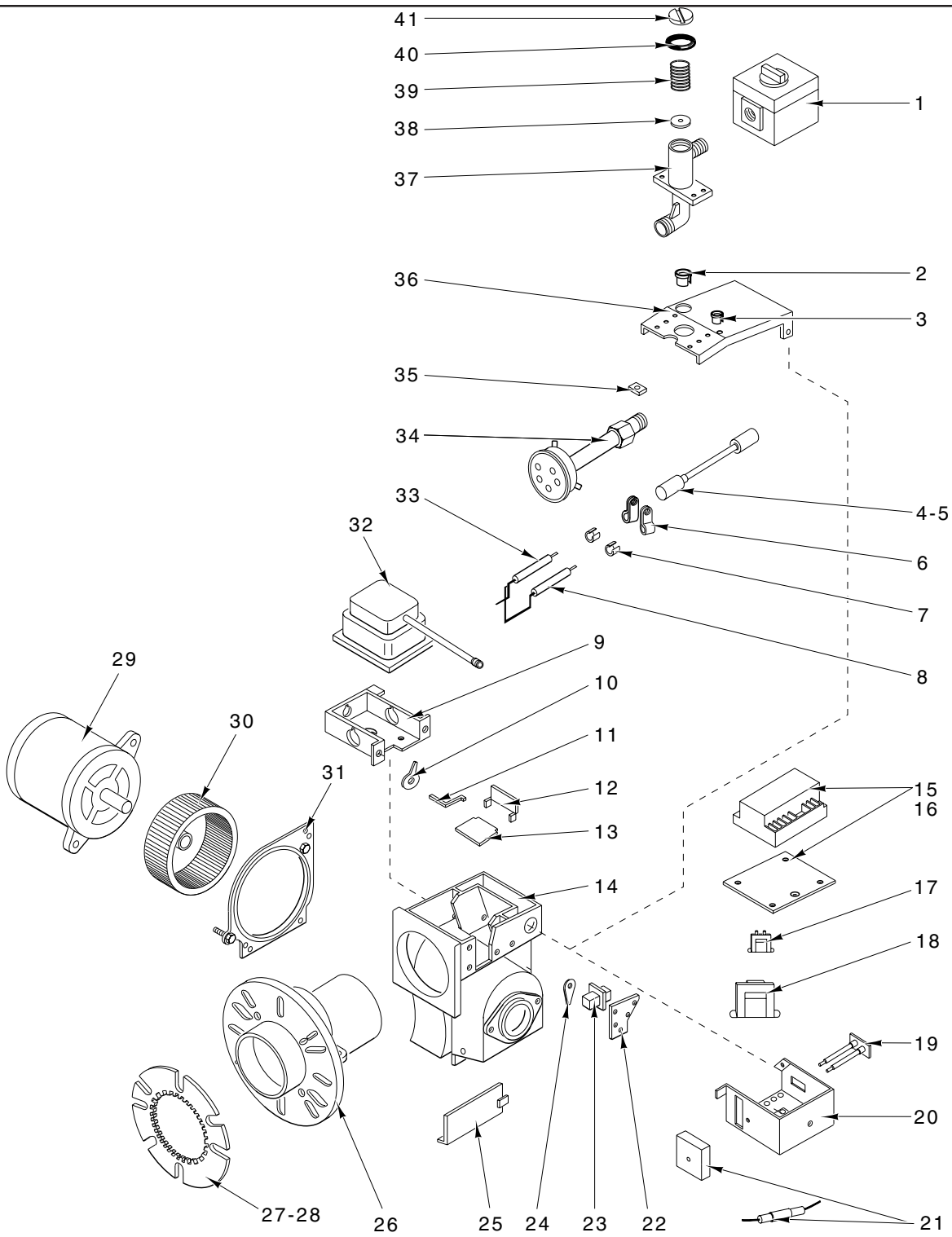


LIFTING DEVICE ASSEMBLY

BLOWER AND DRIVE ASSEMBLY

ILLUS.	PART NO.	NAME OF PART	AMT.
PL-51029			
1	00-630141-00031	Motor – Fan 3 Hp.	1
2	00-630105-00001	Support – Fan Motor	1
3	00-630171-00004	Plate & Spring Assy.	1
4	00-630151-00020	Wheel (Clockwise)	1
5	00-630151-00021	Ring – Inlet	1
6	00-630105-00003	Bushing – Fan Oilite	1
7	00-630151-00017	Pulley – 6 In. (1 ¹ / ₈ Shaft, 1 ¹ / ₄ Keyway)	1

MODEL DRO2G RACK OVEN REPLACEMENT PARTS

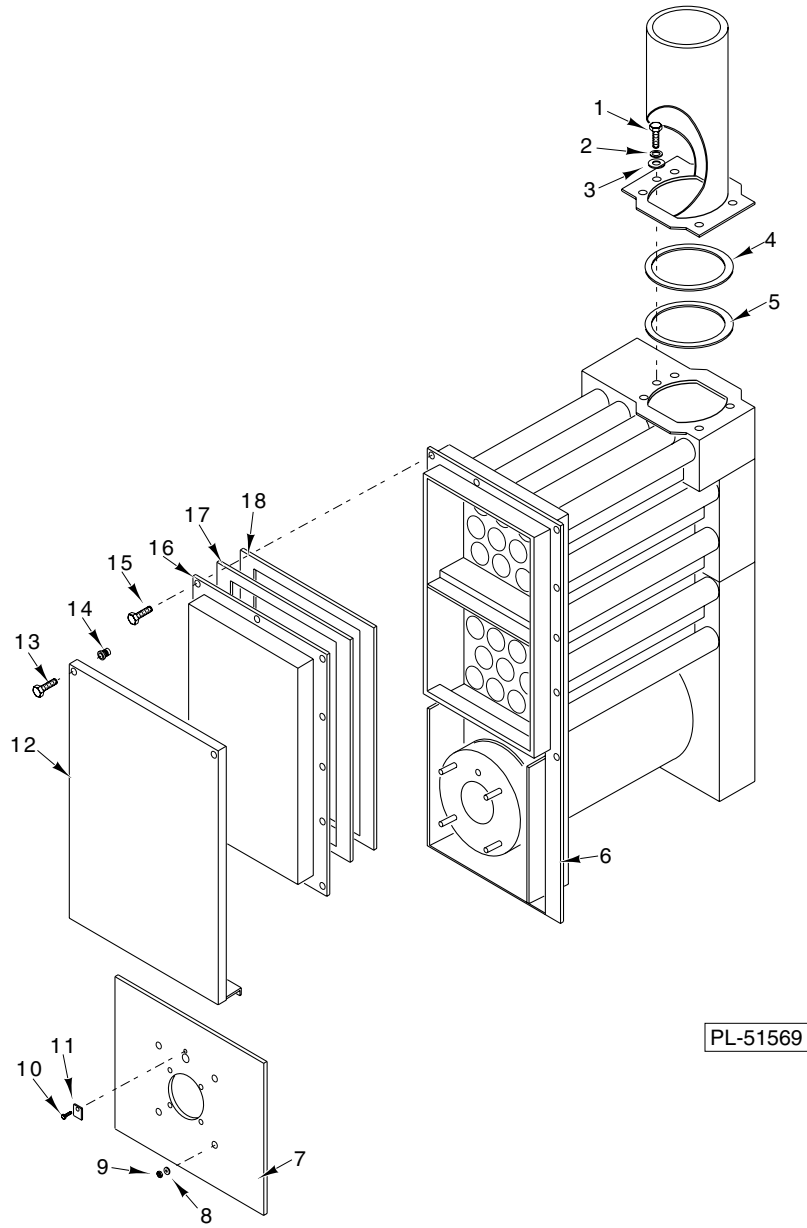


PL-55909

**400 GAS BURNER
HSG (WAYNE)**

**400 GAS BURNER
HSG (WAYNE)**

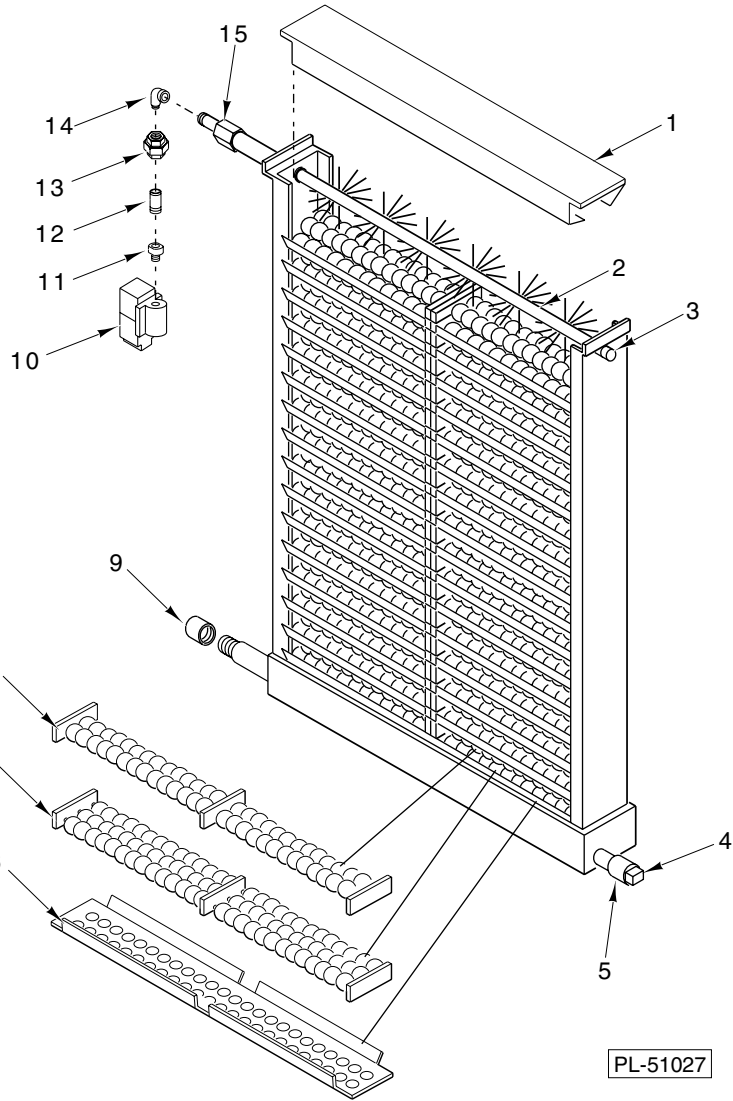
ILLUS.	PART NO.	NAME OF PART	AMT.
PL-55909			
1	00-688287	Valve – Gas 7000DERHC	1
2	00-688282	Bushing – Strain Relief/Ignition Wire	1
3	00-688281	Bushing – Strain Relief/Sensor Wire	1
4	00-688279	Wire – Ignition 8 In.	1
5	00-688278	Wire – Sensor 11 In.	1
6	00-688277	Support – Electrode Bracket (Incls. Items 7, 34 & Set Screws)	2
7	00-688274	Bushing – Insulator	2
8	00-688273	Sensor Probe Assy.	1
9	00-688270	Box – Junction	1
10	00-688263	Pointer – Damper Indicator	1
11	00-688267	Arm – Adjustment Off-Cycle Damper	1
12	00-688269	Bracket – Off-Cycle Damper Mounting	1
13	00-688268	Plate – Off-Cycle Damper	1
14	00-688250	Housing – Burner	1
15	00-688262	Control – Primary Safety Without 30 Sec. Prepurge (S89E-1033) (See TSB-806)	1
16	00-616973	Controller (S89F)	1
17	00-688261	Relay – Motor	1
18	00-688260	Transformer (24 V.)	1
19	00-688266	Strip – Thermostat Terminal	1
20	00-688258	Box – Control	1
21	00-688259	Timer With Resistor Wire Assy. (See TSB-806)	1
22	00-688265	Switch Mounting Plate Slot Cover Assy.	1
23	00-688265	Switch – Air Proving	1
24	00-688263	Pointer – Damper Indicator	1
25	00-688257	Damper – Combustion Air Inlet	1
26	00-688251	Tube – Air (6 ¹ / ₄ In.)	1
27	00-688253	Gasket – Flange	1
28	00-688252	Adjustable Flange Assy.	1
29	00-688256	Motor – Split Phase ¹ / ₇ or ¹ / ₈ Hp., 3450 RPM, 115 V./60	1
30	00-688254	Wheel – Blower 5 ¹ / ₂ In. O.D.	1
31	00-688255	Plate – Side	1
32	00-688271	Transformer – Ignition (7500 V.)	1
33	00-688272	Electrode Assy.	1
34	00-688275	Manifold – Chamber 6 ¹ / ₄ In.	1
35	00-688276	Clip – Electrode Bracket	1
36	00-688280	Plate – Top/Housing Cover	1
37	00-688283	Housing – Orifice	1
38	00-688289	Orifice (0.468 In. Drill)	1
39	00-688284	Spring – Orifice	1
40	00-688285	Gasket – Orifice	1
41	00-688286	Cap – Orifice	1
	00-618897	Regulator – Pressure Valve	1
	00-663657	Burner – Gas (Complete)	1
	00-630143-00023	Kit – Propane	1
	00-687940	Kit – Pressure Switch	1



**HEAT EXCHANGER
(GAS)**

**HEAT EXCHANGER
(GAS)**

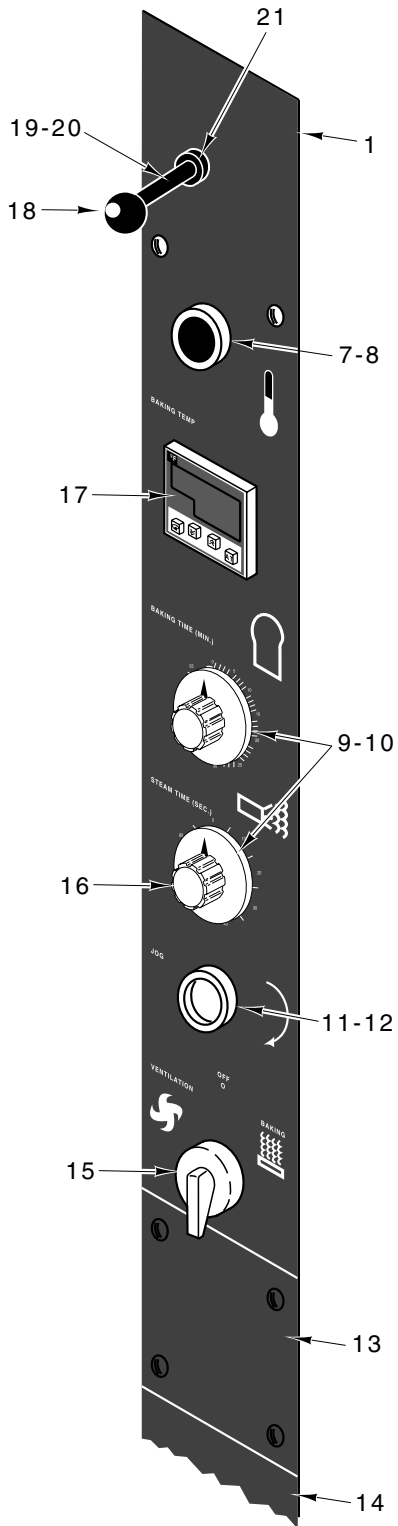
ILLUS. PL-51569	PART NO.	NAME OF PART	AMT.
1	00-630161-00030	Bolt ⁵ / ₁₆ -18 x ³ / ₄ Hex Hd.	4
2	00-630161-00048	Lockwasher	4
3	00-630161-00009	Washer	4
4	00-630151-00043	Gasket – Fiberglass 1 In. x ¹ / ₁₆ In. (Comes in 100 Ft. Roll)	AR
5	00-630151-00053	Tape – Double Adhesive 1 In. (Comes in 100 Ft. Roll)	AR
6	00-630196	Heat Exchanger Assy.	1
7	00-630171-00042	Plate Assy.	1
8	00-630161-00034	Washer	4
9	00-630161-00033	Nut ³ / ₈ Hex	4
10	00-630161-00030	Bolt ⁵ / ₁₆ -18 x ³ / ₄ Hex Hd.	1
11	00-630102-00022	Port – Observation	1
12	00-630196-00021	Panel – Front Box Protection	1
13	00-630161-00046	Mach. Screw 8-32 x 2 Slotted Hd.	2
14	00-630161-00032	Tric Nut 8-32	2
15	00-630161-00030	Bolt ⁵ / ₁₆ -18 x ³ / ₄ Hex Hd.	12
16	00-630171-00043	Heat Exchanger Cover Assy.	1
17	00-630151-00043	Gasket – Fiberglass 1 In. x ¹ / ₁₆ In. (Comes in 100 Ft. Roll)	AR
18	00-630151-00053	Tape – Double Adhesive 1 In. (Comes in 100 Ft. Roll)	AR
	00-616595	Inducer – Draft (0-15 Ft.)	1
	00-630143-00020	Inducer – Draft (16-100 Ft.)	1
	00-616597	Damper – Barometric	1
	00-684320	Switch – Pressure Safety	1



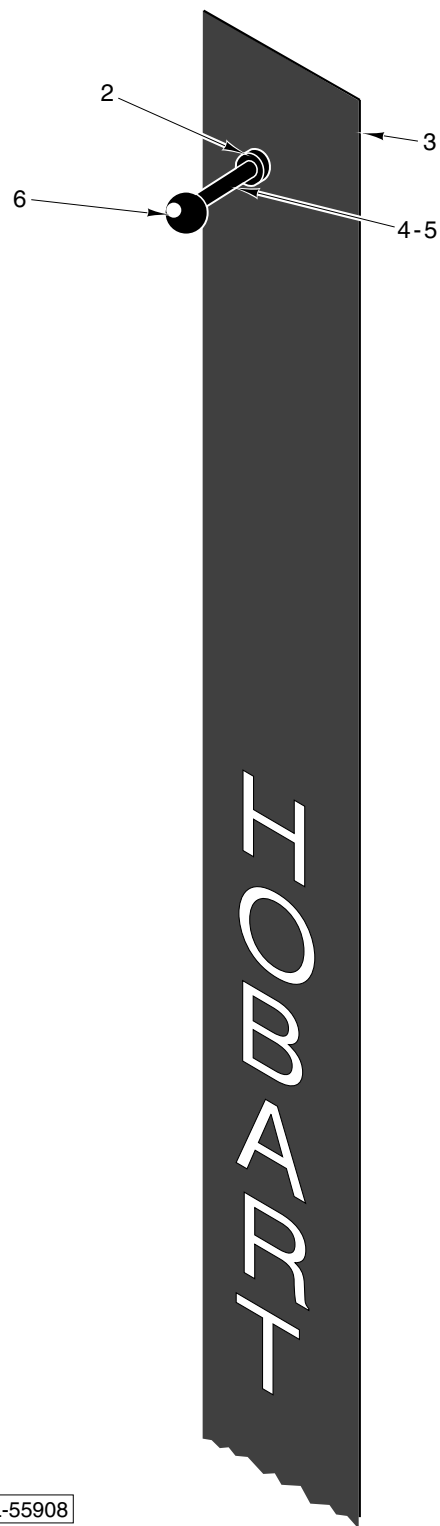
STEAM GENERATOR ASSEMBLY

STEAM GENERATOR ASSEMBLY

ILLUS. PL-51027	PART NO.	NAME OF PART	AMT.
1	00-630109-00021	Cover – Heat Accumulator	1
2	00-630171-00003	Steam Pipe Assy. (37 In. Lg.)	1
3	00-630151-00037	Cap ³ / ₈ NPT Female (SST)	1
4	00-630151-00039	Plug – Sq. Hd. 1 NPT Male (SST)	1
5	00-630161-00061	Coupling – Female 1 In. NPT	1
6	00-630103-00007	Baffle – Steam Generator	16
7	00-630103-00002	Accumulator – Heat 3 Rows	32
8	00-630103-00001	Accumulator – Heat 2 Rows	32
9	00-630161-00061	Coupling – Female 1 In. NPT	1
10	00-630141-00034	Valve – Solenoid	1
11	00-630151-00035	Bushing – Hex ³ / ₈ NPT Internal, ¹ / ₂ NPT External (SST)	1
12	00-630151-00034	Nipple ³ / ₈ NPT (SST)	1
13	00-630151-00033	Union ³ / ₈ NPT Female (SST)	1
14	00-630151-00032	Elbow ³ / ₈ NPT Male-Female (SST)	1
15	00-630103-00003	Retainer – Steam Pipe	1
	01-100V17-00330	Regulator – Pressure Water (Panera Bread)	1
	01-100V17-00089	Valve – Ball (Bronze) (Panera Bread)	1
	01-100V17-00204	Gauge – Pressure (Panera Bread)	1
	01-100V17-00275	Strainer (Brass) (Panera Bread)	1
	01-100V17-00274	Valve – Solenoid ¹ / ₂ (Panera Bread)	1



MECHANICAL CONTROL



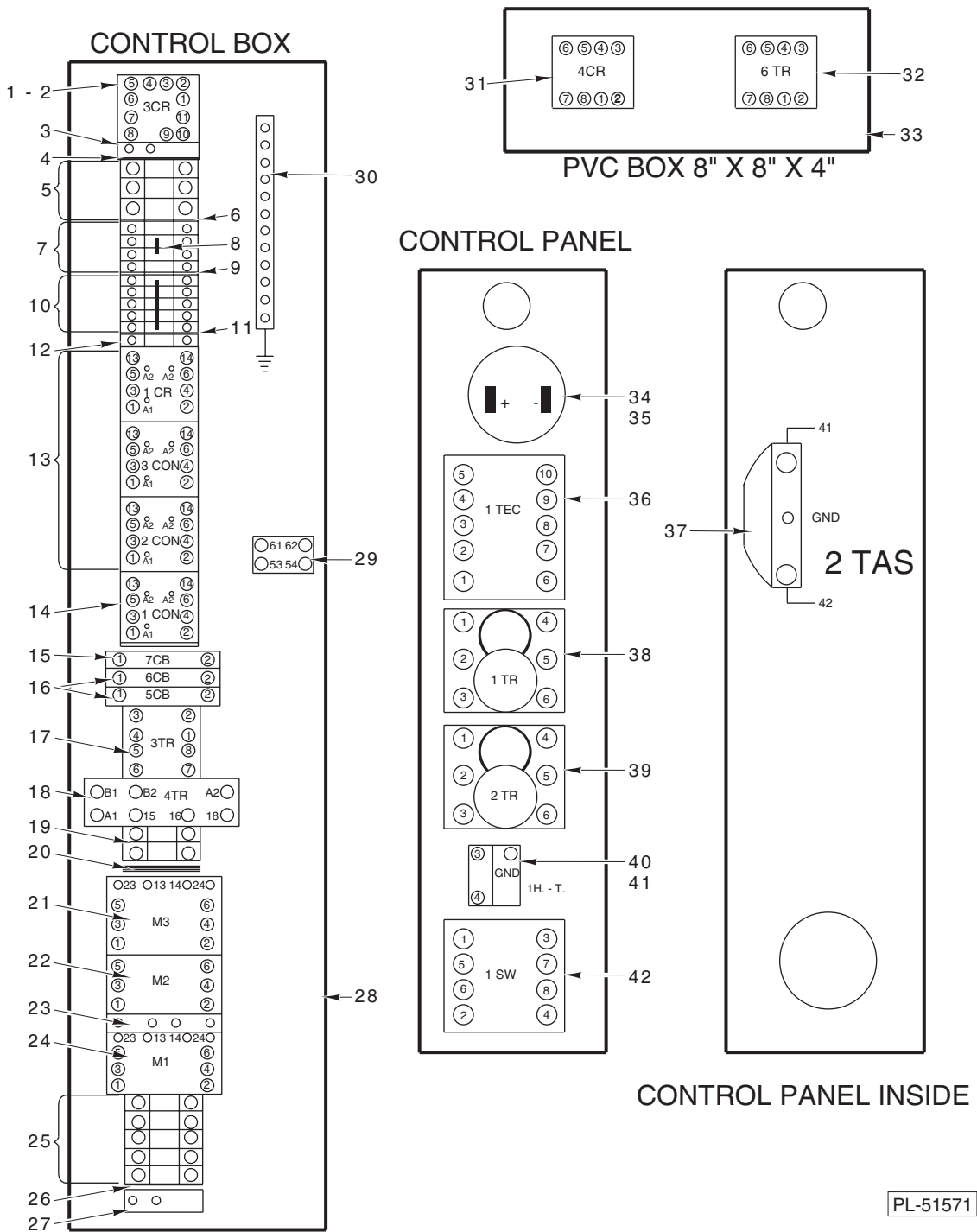
ELECTRONIC CONTROL

CONTROL PANEL

PL-55908

CONTROL PANEL

ILLUS. PL-55908	PART NO.	NAME OF PART	AMT.
1	00-630171-00016	Panel – Control Box	1
2	00-630151-00052	Bushing – Snap	1
3	00-630171-00040	Panel – Hobart (Use W/Electronic Control)	1
4	00-630171-00017	Damper Activating Stem Assy.	1
5	00-630109-00045	Plate – Adjustable (For Damper Control Stem)	1
6	00-630161-00015	Ball – Plastic (With Brass Insert 3/8-16) (1 5/8 O.D.)	1
7	00-630141-00001	Switch – High Limit Control	1
8	00-630141-00003	Buzzer – Sonalert	1
9	00-630141-00005	Timer – SAIA (KKH 20200 B5J2 U00) (Min.)	1
10	00-630153-00039	Knob – Timer	2
11	00-630141-00037	Button – Jog	1
12	00-630141-00067	Clock – Contact Jog Button	1
13	00-630171-00015	Panel – Center	1
14	00-630171-00014	Panel – Lower	1
15	00-630141-00007	Selector – Main Power Switch	1
16	00-630141-00006	Timer – SAIA (KKH 20200 E3J1U00) (Sec.)	1
17	00-630141-00002	Thermostat – Electronic	1
18	00-630161-00015	Ball – Plastic (With Brass Insert 3/8-16) (1 5/8 O.D.)	1
19	00-630171-00017	Damper Activating Stem Assy.	1
20	00-630109-00045	Plate – Adjustable (For Damper Control Stem)	1
21	00-630151-00052	Bushing – Snap	1



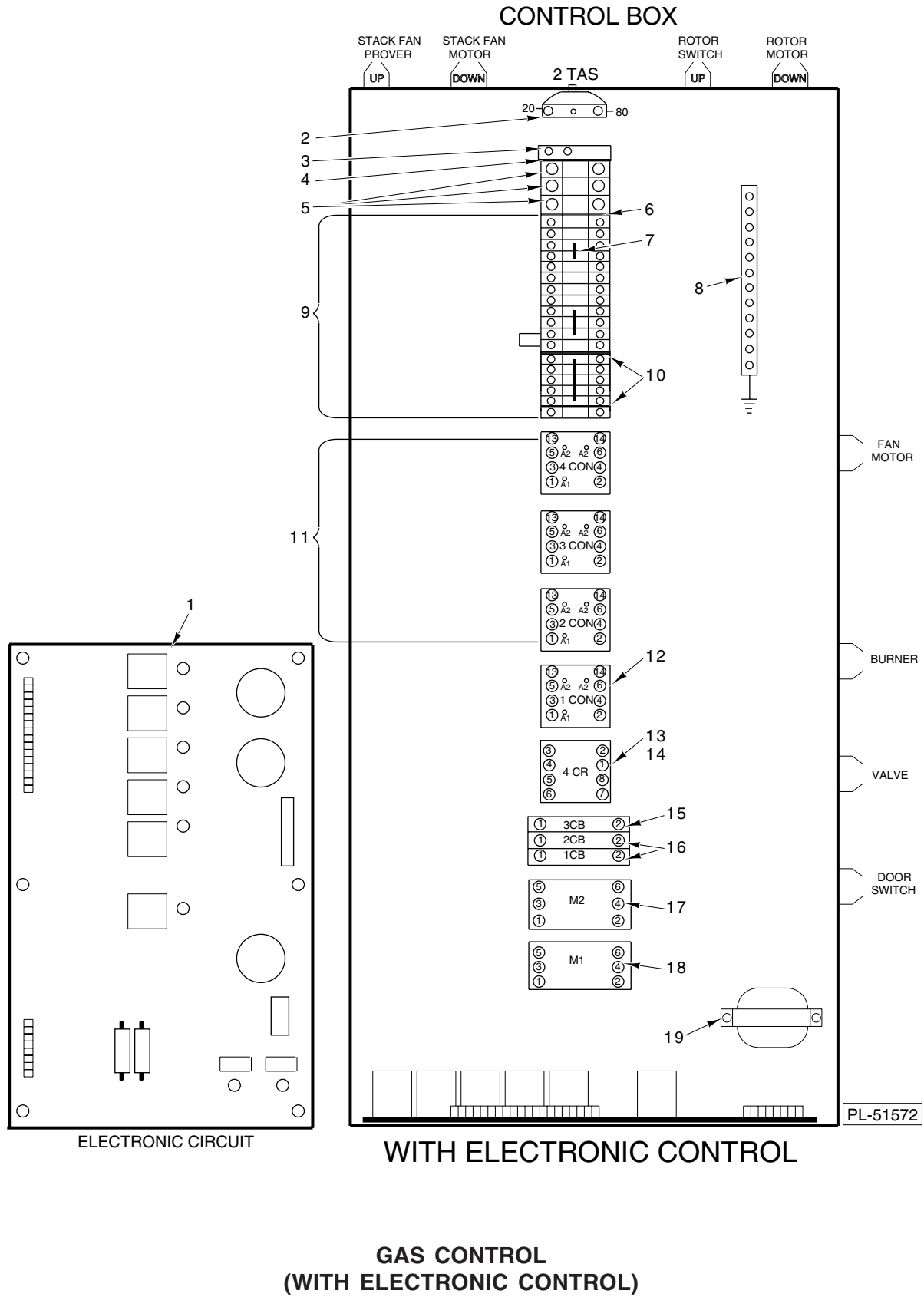
WITH MECHANICAL CONTROL

**GAS CONTROL
(STANDARD)**

PL-51571

**GAS CONTROL
(STANDARD)**

ILLUS.	PART NO.	NAME OF PART	AMT.
PL-51571			
1	00-630141-00042	Relay 3 Pole	1
2	00-630141-00043	Socket – Relay (11 Pins)	1
3	00-630141-00072	End – Stop	1
4	00-630141-00070	End – Section	1
5	00-630141-00071	Block – Terminal	3
6	00-630141-00070	End – Section	1
7	00-630141-00069	Connector	4
8	00-630141-00076	Bar – Jumper (10 Pole)	2
9	00-630141-00070	End – Section	1
10	00-630141-00069	Connector	5
11	00-630141-00070	End – Section	1
12	00-630141-00069	Connector	1
13	00-630141-00012	Contact (12 Amp.)	3
14	00-630141-00013	Contact (9 Amp.)	1
15	00-630141-00015	Breaker (10 Amp.)	1
16	00-630141-00014	Breaker (6 Amp.)	2
17	00-630141-00017	Timer – Omron (H3G-8ACI20-30S)	1
18	00-630141-00019	Timer (30 Min.)	1
19	00-630141-00069	Connector	1
20	00-630141-00070	End – Section	1
21	00-630141-00008	Starter – Manual (1.6 Amp.)	1
22	00-630141-00009	Starter – Manual	1
23	00-630141-00011	Contact – Aux.	1
24	00-630141-00010	Starter – Manual (10 Amp.)	1
25	00-630141-00069	Connector	5
26	00-630141-00070	End – Section	1
27	00-630141-00072	End – Stop	1
28	00-630141-00018	Socket – Relay (8 Pins)	1
29	00-630141-00040	Contact – Aux.	1
30	00-630141-00021	Bar – Grounding	1
31	00-630141-00020	Relay	1
32	00-630141-00039	Timer (0-10 Sec.)	1
33	00-630141-00018	Socket – Relay (8 Pins)	1
34	00-630141-00003	Buzzer – Sonalert	1
35	00-630184-00036	Buzzer (W/Ribbon Cable)	1
36	00-630141-00002	Thermostat – Electronic	1
37	00-630141-00001	Switch – High Limit Control	1
38	00-630141-00005	Timer – SAIA (KKH 20200 B5J2 U00) (Min.)	1
39	00-630141-00006	Timer – SAIA (KKH E3J1U00) (Sec.)	1
40	00-630141-00037	Button – Jog	1
41	00-630141-00067	Clock – Contact Jog Button	1
42	00-630141-00007	Selector – Main Power Switch	1



**GAS CONTROL
(WITH ELECTRONIC CONTROL)**

ILLUS.	PART NO.	NAME OF PART	AMT.
PL-51572			
1	00-630142-00097	Board – Relay (For Electronic Control)	1
2	00-630141-00001	Switch – High Limit Control	1
3	00-630141-00072	End – Stop	1
4	00-630141-00070	End – Section	1
5	00-630141-00071	Block – Terminal	3
6	00-630141-00070	End – Section	1
7	00-630141-00076	Bar – Jumper (10 Pole)	1
8	00-630141-00021	Bar – Grounding	1
9	00-630141-00069	Connector	18
10	00-630141-00070	End – Section	2
11	00-630141-00012	Contactactor (12 Amp.)	3
12	00-630141-00013	Contactactor (9 Amp.)	1
13	00-630141-00020	Relay	1
14	00-630141-00018	Socket – Relay (8 Pins)	1
15	00-63011-00015	Breaker (10 Amp.)	1
16	00-630141-00014	Breaker (8 Amp.)	2
17	00-630141-00008	Starter – Manual (1.6 Amp.)	1
18	00-630141-00010	Starter – Manual (10 Amp.)	1
19	00-630142-00085	Transformer (120/12-12)	1
	00-630142-00098	Cable – Flat (For Electronic Control) (Male)	1
	00-636171-00094	Control Box Assy.	1
	01-009439	Varistor (130 V.)	1
	00-630141-00074	Rod – Nylon	2
	00-630143-00049	Relay	1
	00-630143-00015	Probe – Relay (176 In.)	1
	00-630142-00089	Cable – Flat (Female)	1
	00-630142-00089	Cable – Flat (Female)	1
	00-630143-00003	Control – Oven Programmable	1

