

AM50E DISHWASHERS
PARTS MANUAL



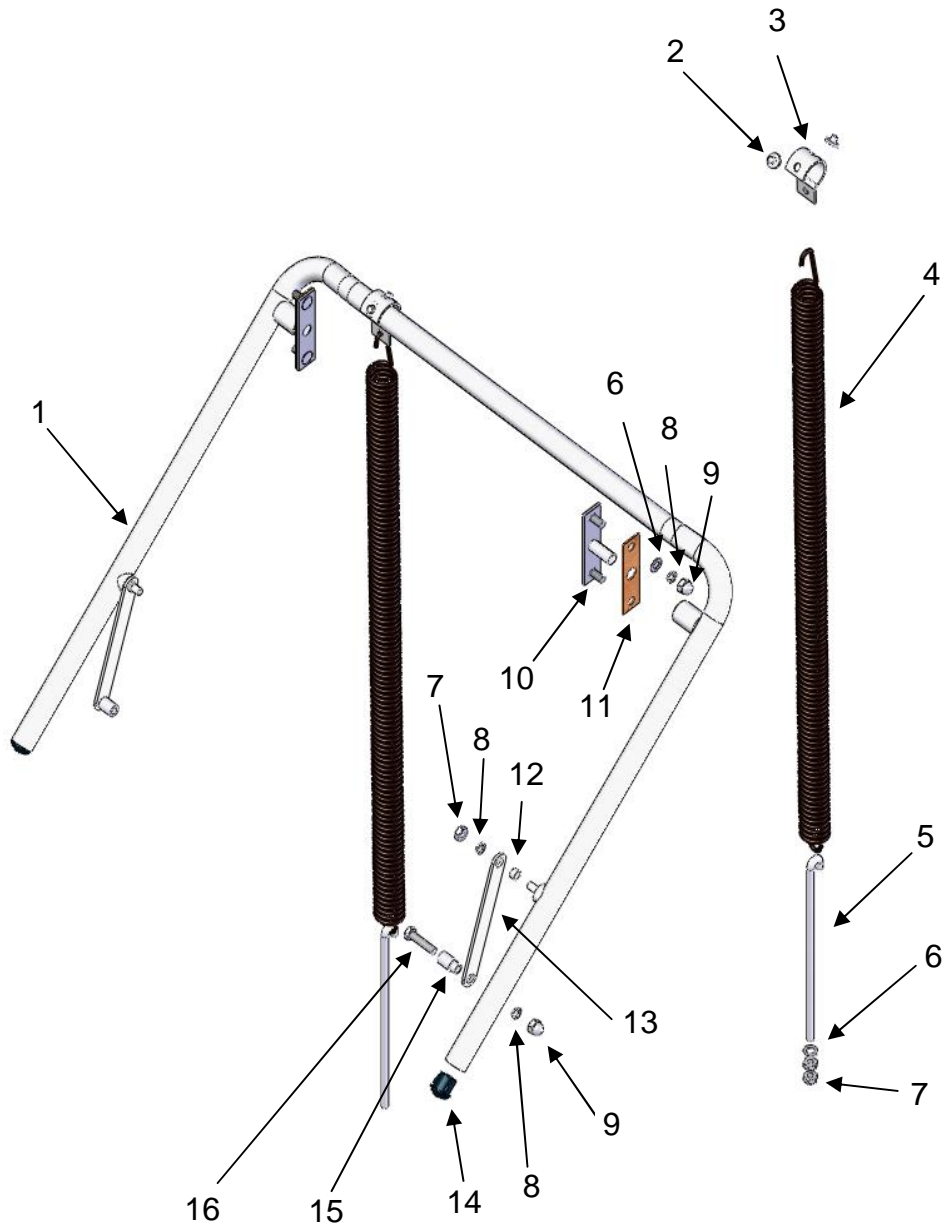
HOBART FOOD EQUIPMENT CO.,LTD

FORM 7153072E

CONTENTS

DOOR LIFT.....	1
WASH CHAMBER AND DOORS.....	3
WASH AND RINSE SYSTEM.....	5
WASH TANK.....	7
LOWER FRAME ASSEMBLY.....	9
WATER INLET AND BOOSTER.....	11
WATER INLET AND BOOSTER (OPEN BOOSTER).....	13
CONTROL BOX.....	15
ENCLOSURE PANELS.....	17
SPARE PARTS.....	19

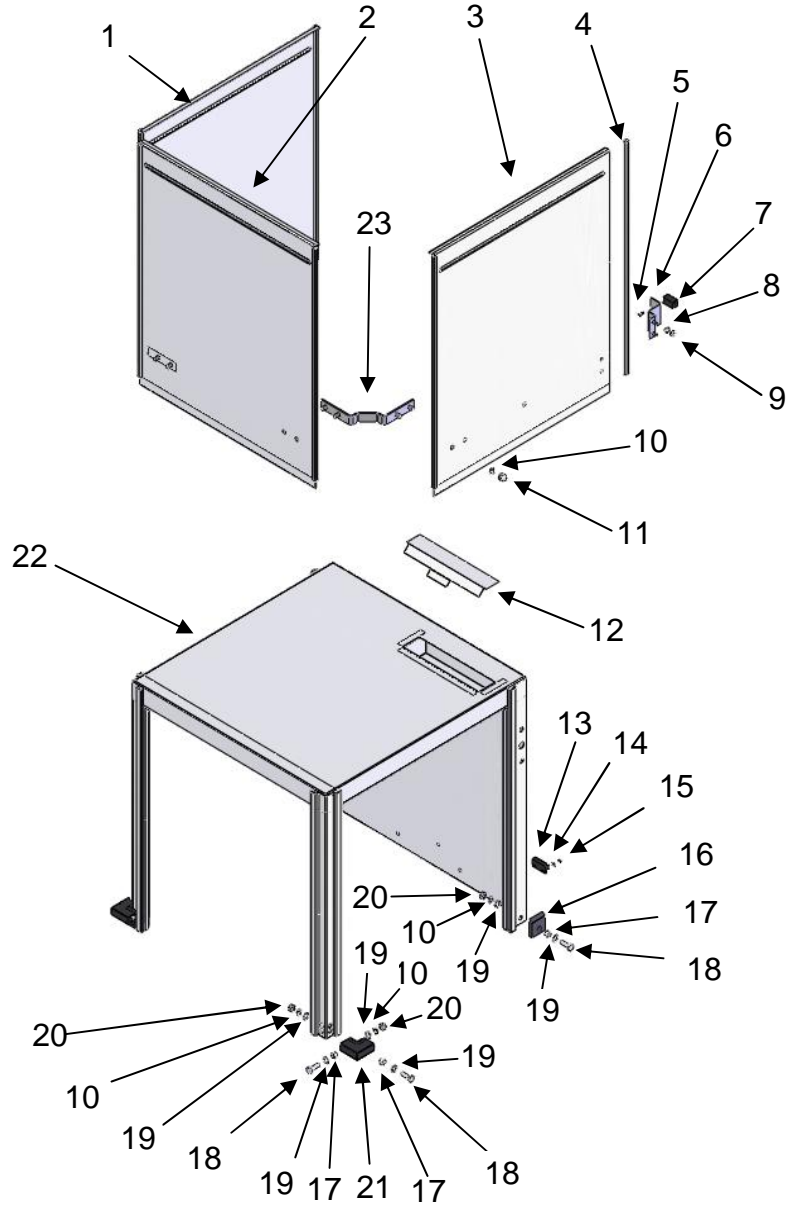
DOOR LIFT



DOOR LIFT

	PART NO.	NAME OF PART	AMT.
1	743251	Door Lift Assy	1
2	119055	Button-Bearing	4
3	79008	Hanger-Spring	2
4	743258	Spring	2
5	743282	Hook-Spring	2
6	WS-M8	Washer M8	34
7	NS-M8	Nut M8	20
8	WL-M8	Lock Washer M8	24
9	NC-M8	Nut M8 Crown	14
10	743268	Bearing Bracket & Pin Assy	2
11	473432	Gasket-Door Lift	2
12	74068	Spacer-Door	2
13	119011	Link-Door	2
14	474831	Plug-Handle	2
15	119046	Pin-Door Lift	2
16	SCH-M8-35	Bolt M8x35	2

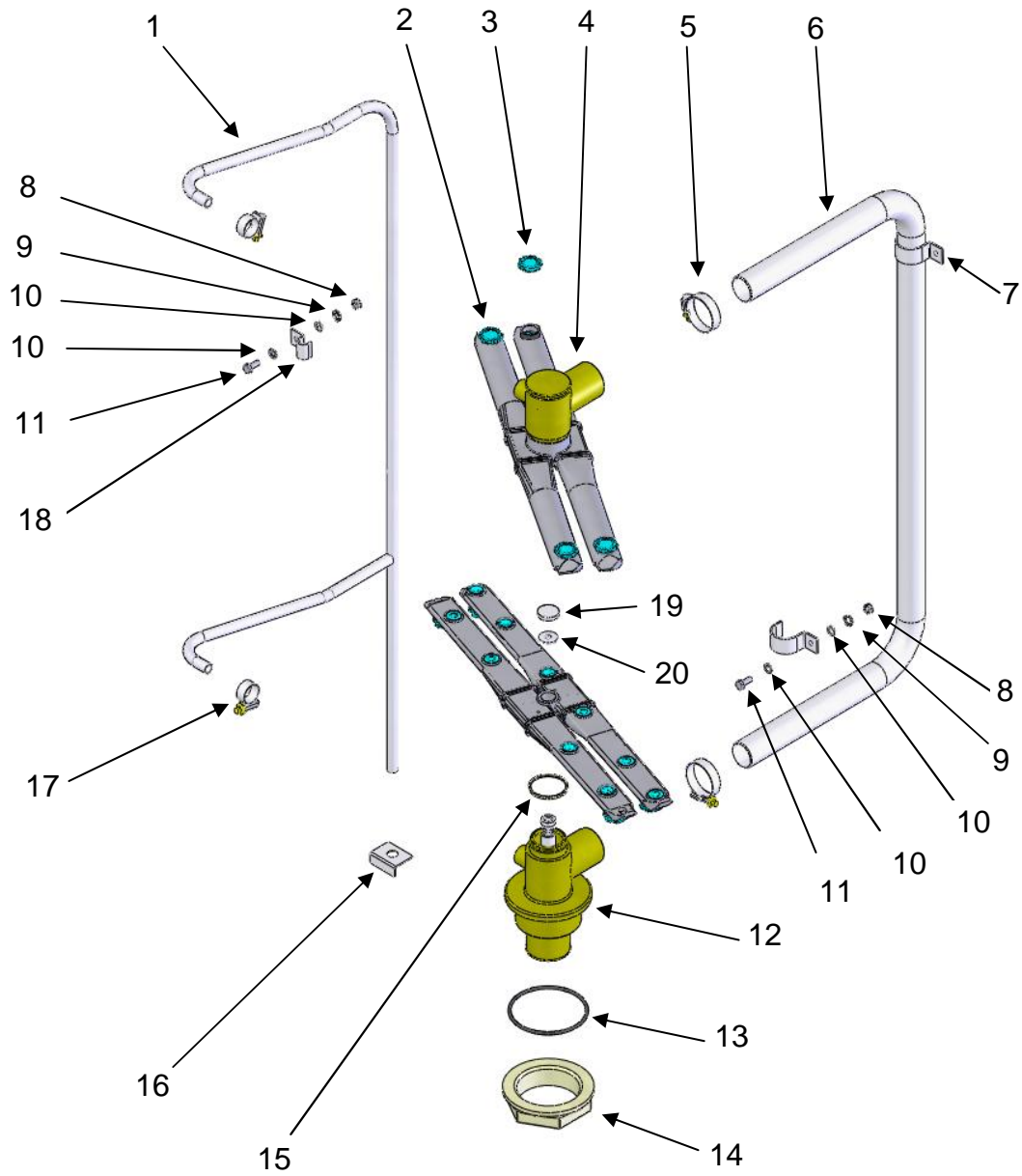
WASH CHAMBER AND DOORS



WASH CHAMBER AND DOORS

	PART NO.	NAME OF PART	AMT.
1	743256	Door-Left	1
2	743250	Door Front	1
3	743257	Door-Right	1
4	112378-23	Guide-Door	7
5	SDT-M3-12	Bolt Self Screw M3x12	2
6	743368	Bracket-Magnet	1
7	743269	Magnet	1
8	WL-M6	Lock Washer M6	12
9	NS-M6	Nut M6	20
10	WL-M8	Lock Washer M8	24
11	NC-M8	Nut M8 Crown	14
12	7153041	Vent Flapper	1
13	743271	Reed Switch-Door	1
14	WS-M3	Washer M3	2
15	NS-M3	Nut M3	2
16	743316	Insert- Tank Corner (Rear)	2
17	743306	Spacer-Tank & Chamber	6
18	SCH-M8-25	Bolt M8x25	10
19	WS-M8	Washer M8	34
20	NS-M8	Nut M8	20
21	7153035	Insert- Tank & Chamber (Front)	2
22	743252	Chamber	1
23	743305	Bracket-Door Lift	2

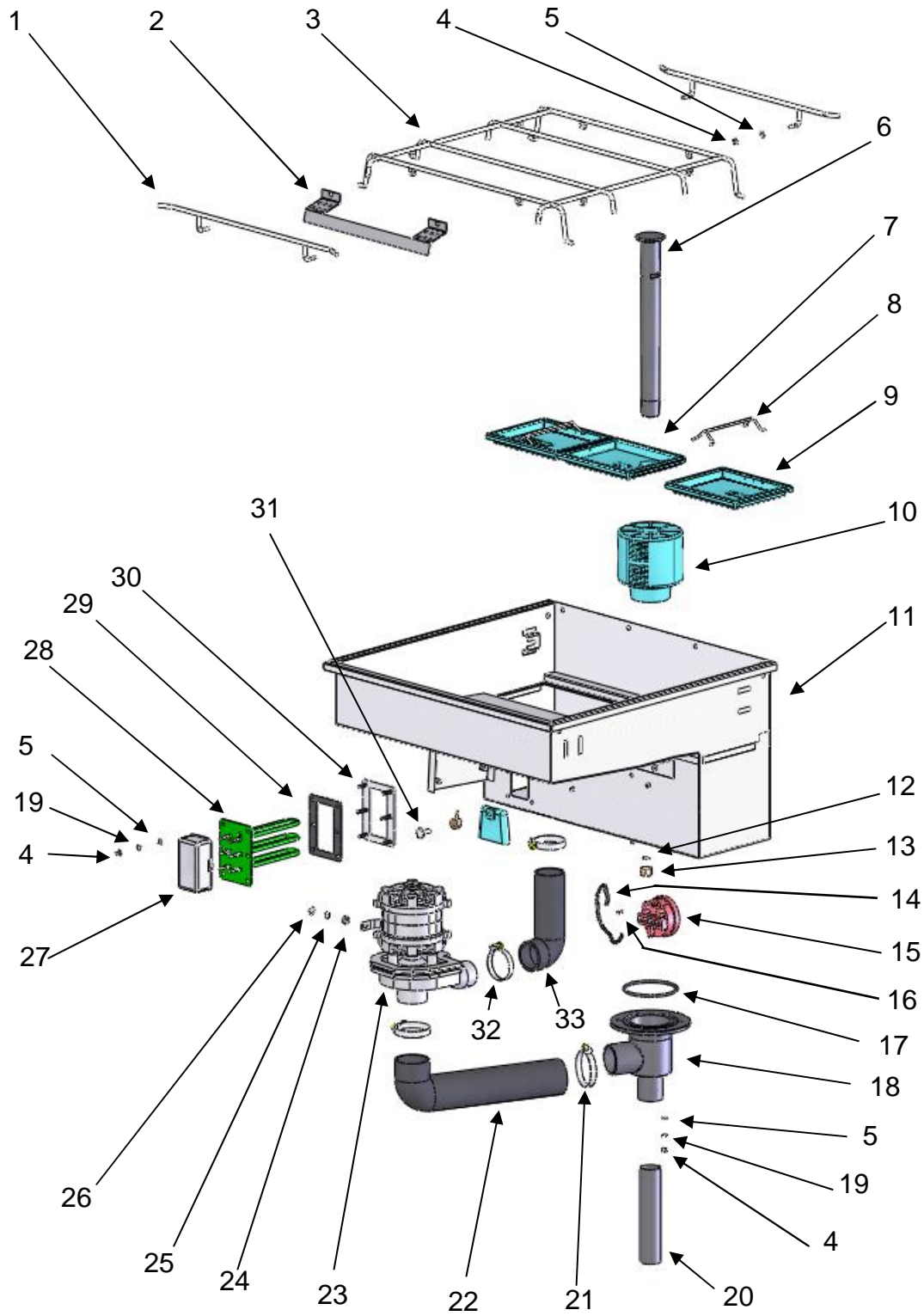
WASH AND RINSE SYSTEM



WASH AND RINSE SYSTEM

	PART NO.	NAME OF PART	AMT.
1	7153009	Rinse Piping Assy	1
2	7153042	Wash/Rinse Arm Assy	2
3	7153048	Cleaning Plug	4
4	7153000	Upper Manifold/Shaft Assy	1
5	7153074	Clamp- 40mm	3
6	7153060	Wash Pipe	1
7	743263	Clamp- Wash Piping	2
8	NS-M6	Nut M6	20
9	WL-M6	Lock Washer M6	13
10	WS-M6	Washer M6	61
11	SCH-M6-15	Bolt M6x15	13
12	7153003	Lower Manifold/Shaft Assy	1
13	7153062	"O" ring 3.55x84.6	1
14	473460	Nut-Manifold	1
15	775736-001	Ring-Arm	2
16	7153053	Cover Piece-Rinse Piping	1
17	7153073	Clamp-30mm	2
18	743263-1	Clamp-Rinse Piping	1
19	775757-001	Bolt-Arm	2
20	7153001	Washer-Arm Bolt	2

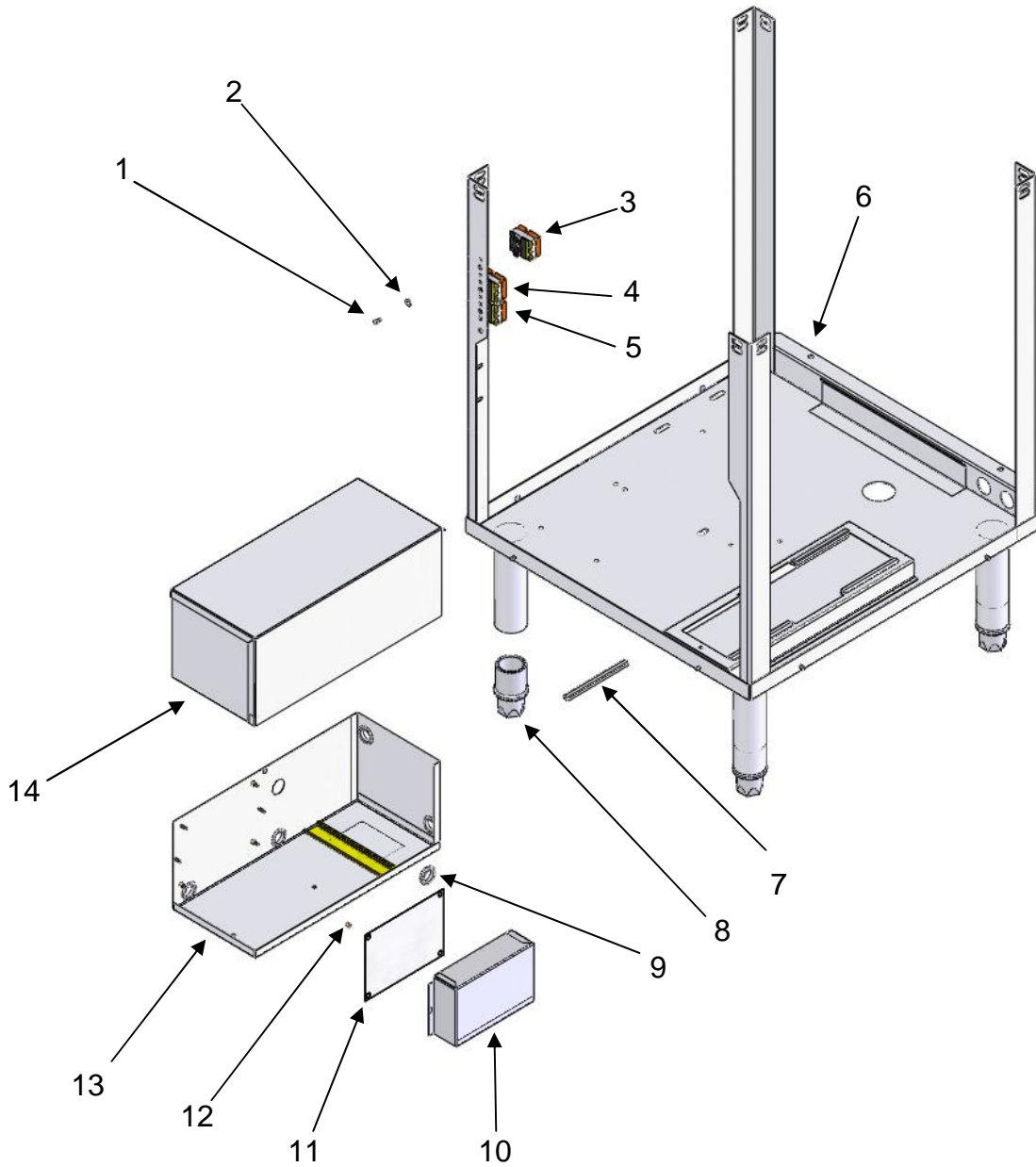
WASH TANK



WASH TANK

	PART NO.	NAME OF PART	AMT.
1	743295	Track-Side Rail	2
2	743270	Plate-Splash Protection	1
3	743265	Rack-Rack	1
4	NS-M6	Nut M6	55
5	WS-M6	Washer M6	75
6	743302	Overflow Pipe	1
7	7153005	Strainer Pan-Middle	1
8	7153054	Handle-Strainer Pan	4
9	7153006	Strainer Pan-Side	2
10	7153008	Strainer-Pump Intake	1
11	7153026	Tank	1
12	67500-6	"O" Ring 12.5x1.8	1
13	743293	Nut-Sealed	1
14	743303	Pressure Switch Tube	1
15	231981-1	Pressure Switch	1
16	SDT-M4-12	Bolt-Self Screw M3x12	1
17	7153066	"O" Ring 5.3x99.6	1
18	7153007	Drain Flange	1
19	WL-M6	Lock Washer M6	54
20	7153058	Drain Tube	1
21	538412	Clamp-70mm	2
22	7153051	Hose-Wash Pump Inlet	1
23	7153055	Wash Pump (200-220V/50/1)	1
	7153055-1	Wash Pump (200-220V/60/1)	
24	NS-M8	Nut M8	20
25	WL-M8	Lock Washer M8	24
26	WS-M8	Washer M8	34
27	743313	Cover-Heater Terminal	3
28	743278	Tank Heater (220/380V 2kW)	1
	743278-2	Tank Heater (220/380V 3kW)	
	743278-4	Tank Heater (200V 3kW)	
	743278-5	Tank Heater (200V 2kW)	
29	743312	Gasket-Heater	3
30	743279	Plate-Heater Mounting	1
31	324858	Air Chamber	1
32	521687	Clamper-50mm	2
33	7153052	Hose-Wash Pump Outlet	1

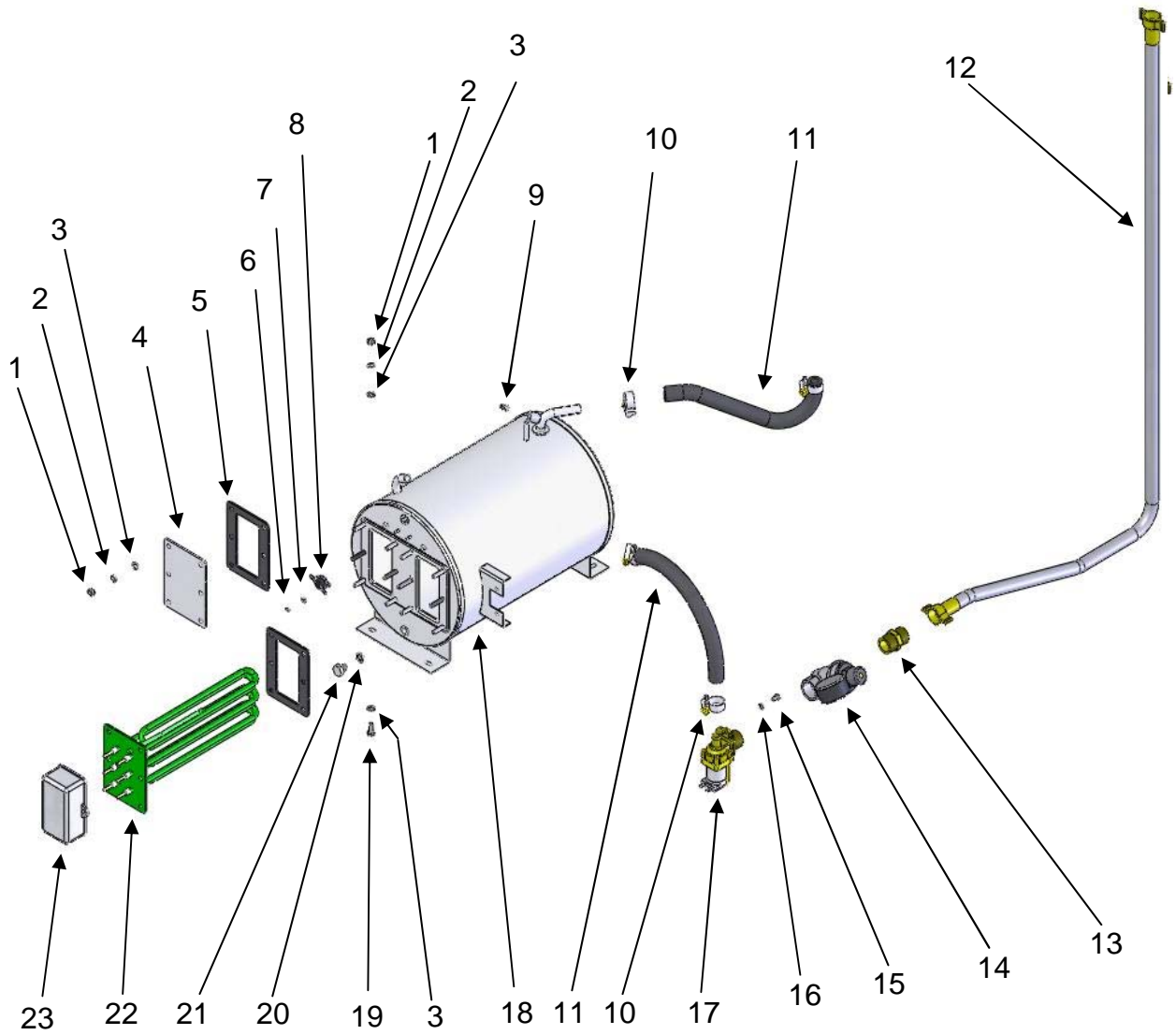
LOWER FRAME ASSEMBLY



LOWER FRAME ASSEMBLY

	PART NO.	NAME OF PART	AMT.
1	SCT-M4-6	Bolt M4x6	6
2	WS-M4	Washer M4	6
3	7112001	Thermostat 86C	1
4	743310	Thermostat 70C	1
5	743310-1	Thermostat 82C	1
6	743254	Lower Frame Assy	1
7	112378-23	Guide Bar	7
8	743255	Foot 2"	4
9	15260151	Rubber Ring	5
10	743370	Hood-Control Board	1
11	743370-1	Plate-Insulation	1
12	743374	Supporter-Control Board	4
13	743366	Control Box	1
14	743365	Cover-Control Box	1

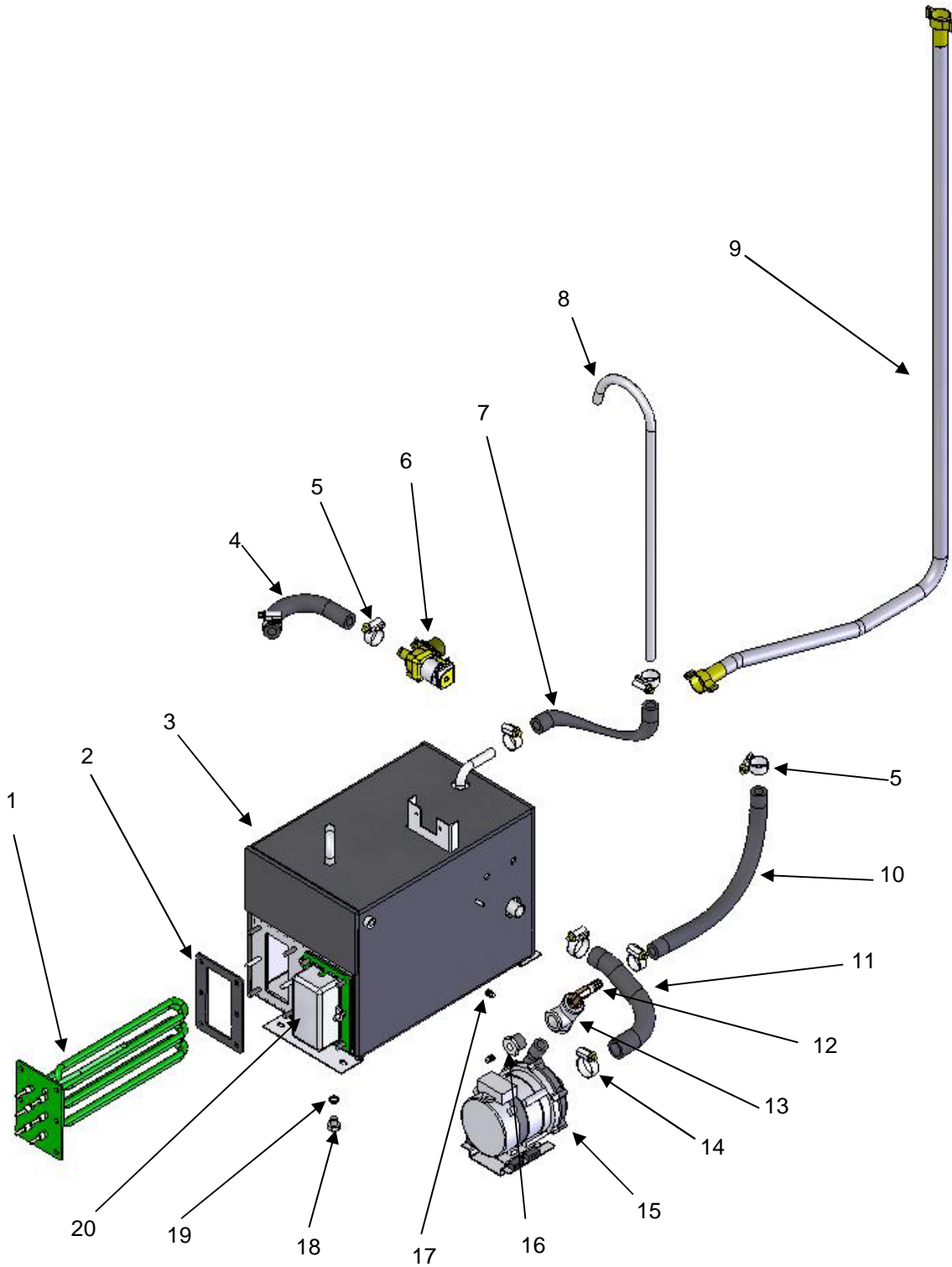
WATER INLET AND BOOSTER



WATER INLET AND BOOSTER

	PART NO.	NAME OF PART	AMT.
1	NS-M8	Nut M8	20
2	WL-M8	Lock Washer M8	24
3	WS-M8	Washer M8	34
4	743318	Cover-Booster Heater	1
5	743312	Gasket-Heater	3
6	NS-M3	Nut M3	4
7	WS-M3	Washer M3	3
8	7153078	High Limit	1
9	743338	Pipe Plug 1/8"	2
10	743315	Clamp-25mm	4
11	7153013	Hose-Booster	2
12	324088-1	Fill hose	1
13	743268	Screw-G3/4"	1
14	743859	Reducer	1
15	SCT-M5-10	Bolt M5x10	2
16	WS-M5	Washer M5	8
17	324207-1	Inlet Valve	1
18	7153014	Booster	1
19	SCH-M6-20	Bolt M6x20	4
20	743311	Washer-Combination M10	1
21	SCH-M10-10	Bolt M10x10	1
22	743314-2	Booster Heater (220/380V 6kW)	1
23	743313	Cover-Heater Terminal	2

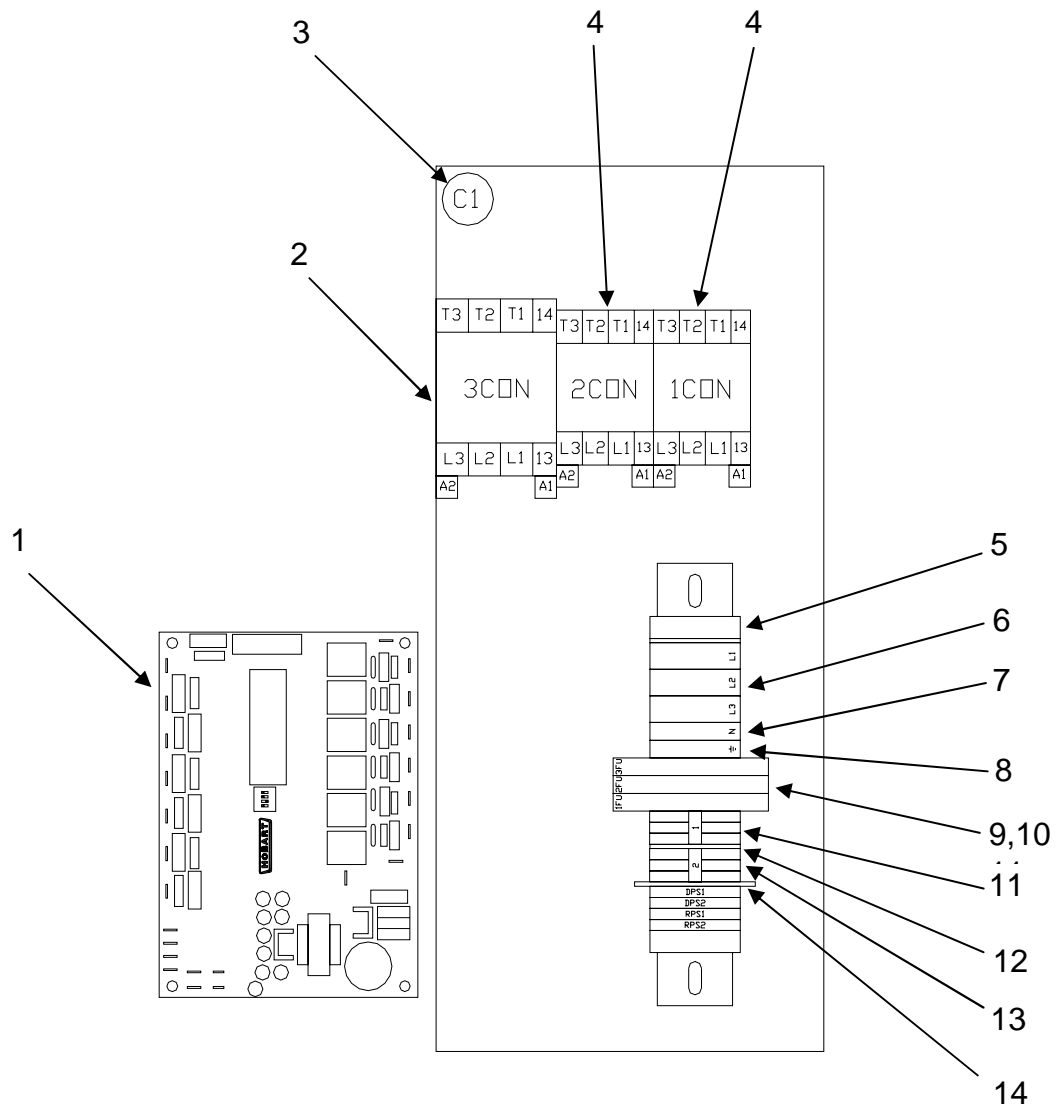
WATER INLET AND BOOSTER (OPEN BOOSTER)



WATER INLET AND BOOSTER (OPEN BOOSTER)

	PART NO.	NAME OF PART	AMT.
1	743278	Booster Heater (220/380V 2kW)	1
2	743312	Gasket-Heater	3
3	7153087	Open Booster	1
4	7153089	Inlet Hose	1
5	743315	Clamp-25mm	6
6	324207-1	Fill Valve	1
7	7153091	Vent Hose	1
8	7153088	Vent Tube	1
9	324088-1	Fill Hose	1
10	7153013-2	Hose-Rinse Pump Outlet	1
11	7153013-1	Hose-Rinse Pump Inlet	1
12	7618009	Eblow Connector	1
13	7155131	Tee Joint 1/2"	1
14	743439	Clamp-35mm	2
15	7618008	Rinse Pump (220V 50/60Hz)	1
16	7155131-1	Nipple 1/2-1/8"	1
17	743338	Pipe Plug 1/8"	2
18	SCH-M10-10	Bolt M10x10	1
19	743311	Washer-Combination M10	1
20	743313	Cover-Heater Terminal	2

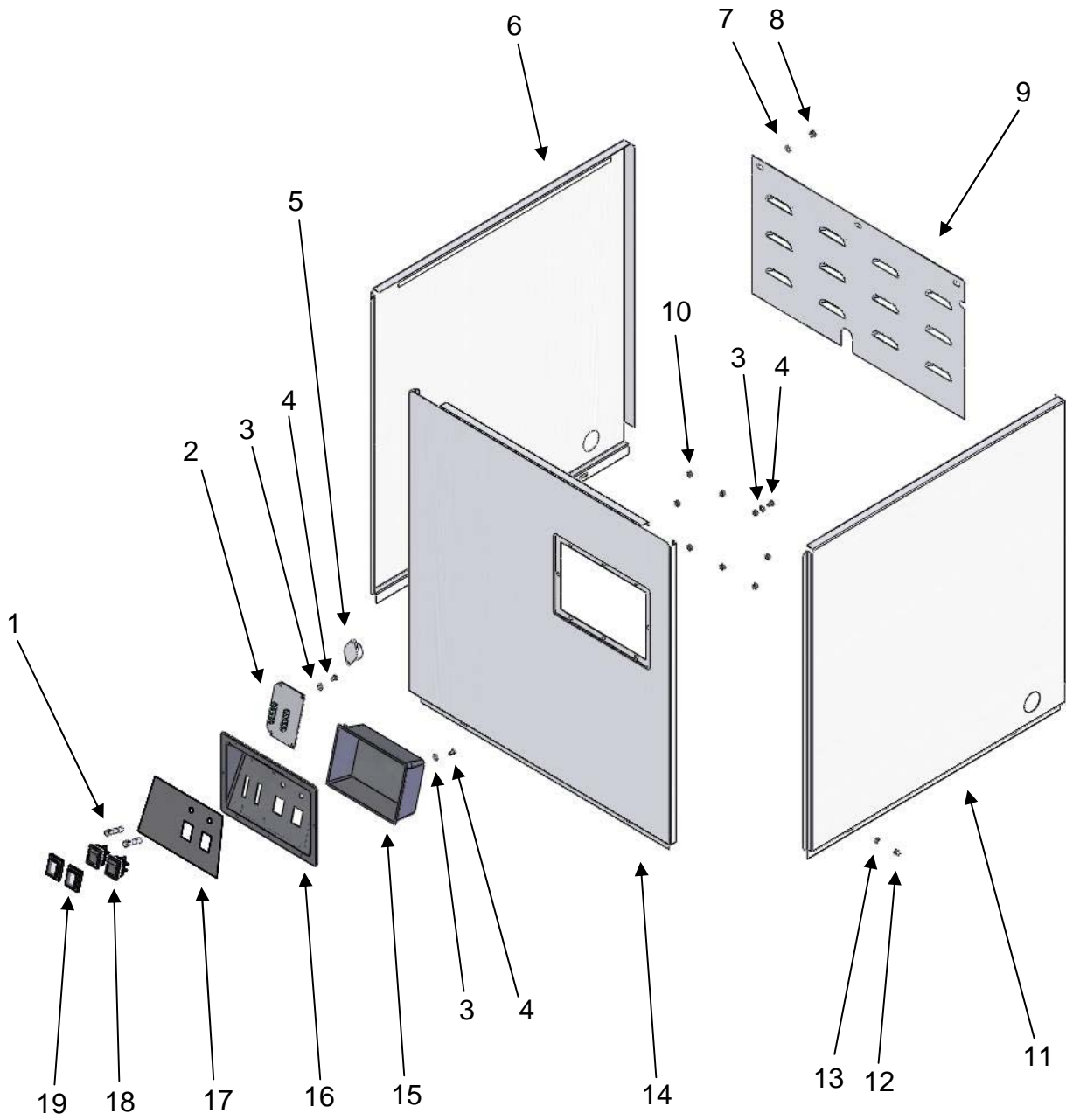
CONTROL BOX



CONTROL BOX

	PART NO.	NAME OF PART	AMT.
1	743448T	Control Board	1
2	743401	Contactor32 (For 3853, 2263, 2260)	1
	743403-1	Contactor32 (For 2053, 2063)	
3	743436-1	Capacitor-Wash Pump	1
4	743402	Contactor09 (For 3853, 2263, 2260)	2
	743402-1	Contactor09 (For 2053, 2063)	
5	743431	Holder-Side	2
6	743408	Terminal 6N	3
7	743408-1	Terminal 6N (Blue)	1
8	743406	Terminal-Ground	1
9	743405	Terminal-Fuse	3
10	743407	Fuse 5A 5x20	3
11	743410	Terminal 3N	3
12	743441	Plate-Side	1
13	743410-1	Terminal 3N (Blue)	3
14	743412	Plate-Division	1

ENCLOSURE PANELS



ENCLOSURE PANELS

	PART NO.	NAME OF PART	AMT.
1	743432	Indicator Lights	2
2	743379-1	Thermometer	1
3	WS-M4	Washer M4	40
4	SDT-M4-12	Bolt-Self Screw M4x12	12
5	7153084	Beeper	1
6	743259-1	Panel -Left	1
7	WS-M6	Washer M6	26
8	NS-M6	Nut M6	20
9	7163036	Panel-Rear	1
10	743426-4	Washer-Control Panel	8
11	743259	Panel-Right	1
12	NC-M5	Nut M5 Crown	6
13	WS-M5	Washer M5	8
14	743253	Panel-Front	1
15	743426-2	Control Panel-Interior Cover	1
16	743426-1	Control Panel-Exterior Face	1
17	7153057	Faceplate	1
18	743429	Switch	2
19	743431	Switch Cover-Water Protection	2

SPARE PARTS

	PART NO.	NAME OF PART	AMT.
1	775736-001	Ring-Arm	2
2	775757-001	Bolt-Arm	2
3	7153001	Washer-Arm Bolt	2
4	7153013	Hose-Booster	2
5	7153005	Strainer Pan-Middle	1
6	7153006	Strainer Pan-Side	2
7	7153041	Vent Flapper	1
8	7153042	Wash/Rinse Arm Assy	2
9	7153048	Cleaning Plug	4
10	743302	Overflow Pipe	1
11	7153051	Hose-Wash Pump Inlet	1
12	7153052	Hose-Wash Pump Outlet	1
13	743312	Gasket-Heater	3
14	743314-2	Booster Heater (220/380V 6kW)	2
15	743278	Tank Heater (220/380V 2kW)	1
	743278-2	Tank Heater (220/380V 3kW)	
	743278-4	Tank Heater (200V 3kW)	
	743278-5	Tank Heater (200V 2kW)	
16	743313	Cover-Heater Terminal	2
17	324207-1	Inlet Valve	1
18	743859	Reducer	1
19	231981-1	Pressure Switch	1
20	324858	Air Chamber	1
21	743303	Pressure Switch Tube	1
22	743269	Magnet	1
23	743271	Reed Switch-Door	1
24	7153055	Wash Pump (200-220V/50/1)	1
	7153055-1	Wash Pump (200-220V/60/1)	
25	743426-1	Control Panel-Exterior Face	1
26	7153057	Faceplate	1
27	743426-4	Washer-Control Panel	8
28	743429	Switch	2
29	743432	Indicator Lights	2
30	743431	Switch Cover-Water Protection	2
31	743426-2	Control Panel-Interior Cover	1
32	743379-1	Thermometer	1
33	743310	Thermostat 70C	1
34	7112001	Thermostat 86C	1
35	743310-1	Thermostat 82C	1
36	324088-1	Fill Hose	1
37	7153078	High Limit	1

SPARE PARTS

	PART NO.	NAME OF PART	AMT.
38	7618008	Rinse Pump (220V 50/60Hz)	1
39	7618010	Connector-Rinse Pump	2
40	7153013-1	Hose-Rinse Pump Inlet	1
41	7153013-2	Hose-Rinse Pump Outlet	1
42	67500-6	"O" Ring 12.5x1.8	1
43	7153065	"O" Ring 2.65x75	1
44	7153066	"O" Ring 5.3x99.6	1
45	521687	Clamp 50mm	2
46	538412	Clamp 70mm	2
47	743315	Clamp 25mm	4
48	7153073	Clamp 30mm	2
49	7153074	Clamp 40mm	3
50	743407	Fuse 5A 5x20	3
51	743448T	Control Board	1
52	7153084	Beeper	1
53	743401	Contactor32 (For 3853, 2263, 2260)	1
	743401-1	Contactor32 (For 2053, 2063)	
54	743402	Contactor09 (For 3853, 2263, 2260)	2
	743402-1	Contactor09 (For 2053, 2063)	
55	743370-1	Plate-Insulation	1