

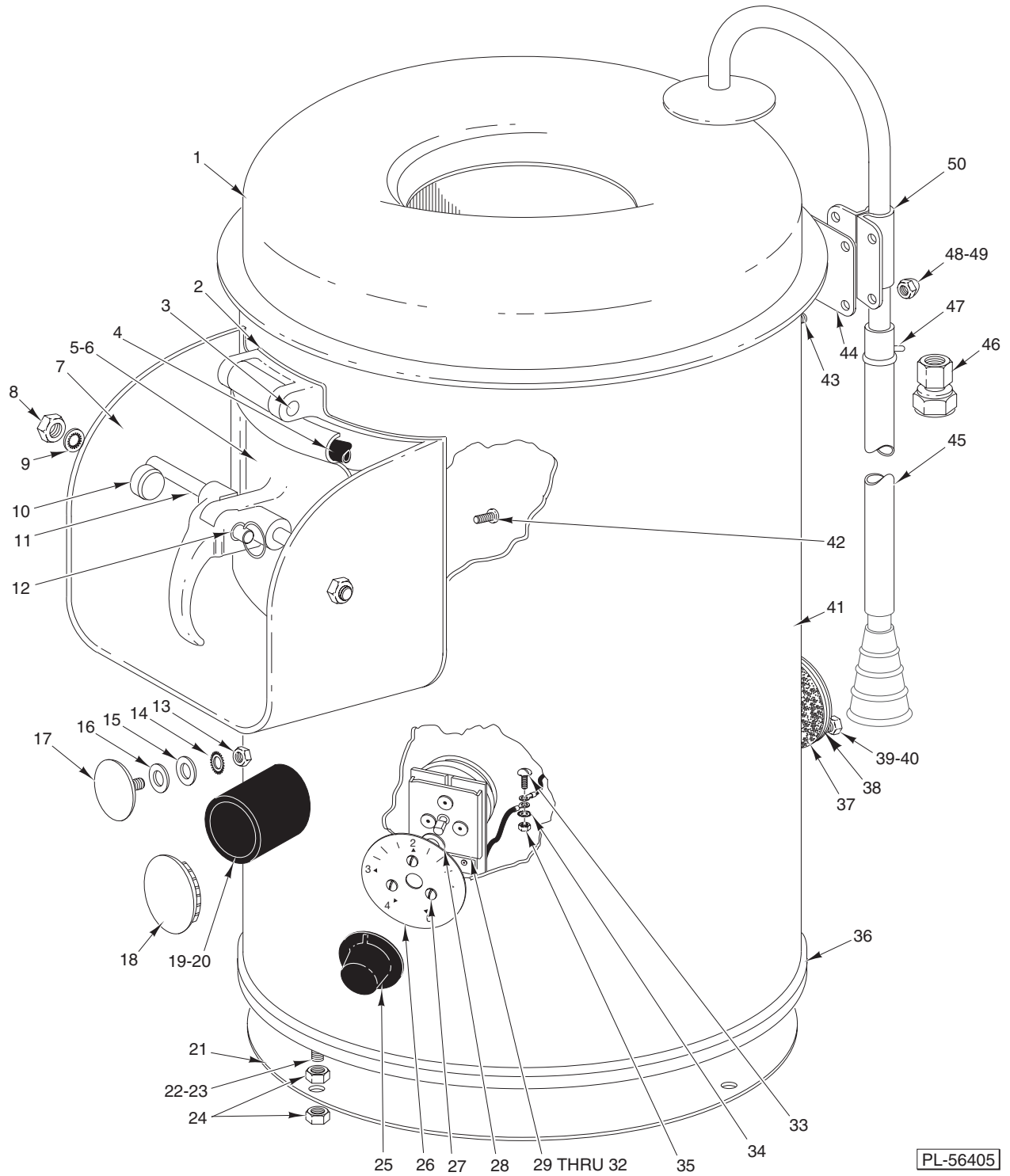


CATALOG OF REPLACEMENT PARTS



MODEL 6115 POTATO PEELER

ML-19869
ML-19683



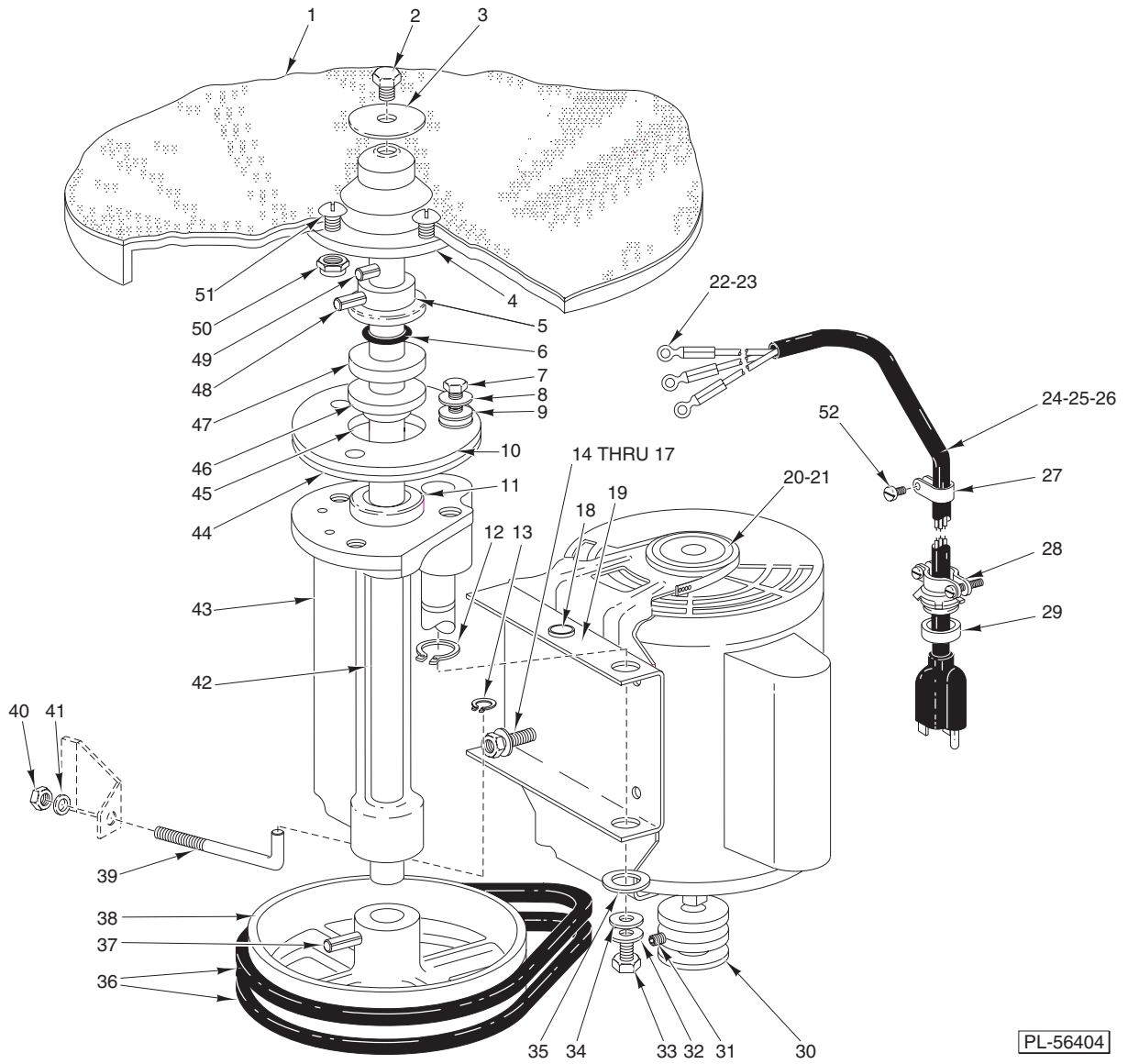
PL-56405

HOUSING UNIT

HOUSING UNIT

ILLUS. PL-56405	PART NO.	NAME OF PART	AMT.
1	00-063551	Top – Hopper	1
2	00-062387	Gasket – Chute Housing	1
3	00-292011-00002	Pin – Lock	1
4	00-062372-00001	Seal – Chute Door	1
5	00-078145	Bushing – Chute Door	1
6	00-102826	Door & Seal Assy. (Incls. Items 4 & 5)	1
7	00-064219	Chute – Housing	1
8	NS-018-06	Jam Nut ⁵ / ₁₆ -18 Hex Fin	2
9	WL-008-22	Lockwasher ⁵ / ₁₆ Internal Shakeproof	2
10	00-064200-00002	Stud – Latch	2
11	00-437454	Door Handle – Locking Assy.	1
12	00-292011-00004	Pin – Lock	1
13	NS-009-22	Mach. Nut 10-24 Hex	1
14	WL-010-06	Lockwasher #10 External Shakeproof	1
15	WS-018-13	Washer	1
16	WS-022-16	Washer	1
17	00-063215	Timer Hole Cover & Screw Assy.	1
18	00-291592	Plug Button (Use With Peel Trap Only)	1
19	00-063300	Clamp – Hose	1
20	00-069642	Hose – Drain	1
21	00-064351	Cover – Bottom Plate	1
22	SC-041-10	Cap Screw ⁵ / ₁₆ -18 x ⁵ / ₈ Hex Hd.	4
23	WS-017-08	Washer	4
24	NS-018-06	Jam Nut ⁵ / ₁₆ -18 Hex Fin.	8
25	00-291748	Knob – Timer	1
26	00-063206	Dial – Timer	1
27	SC-019-11	Mach. Screw 8-32 x ³ / ₈ Bndg. Hd.	3
28	WS-003-25	Washer	1
*29	00-294650-017-1	Timer (120 V., 60 Hz.)	1
*30	00-294650-017-2	Timer (240 V., 60 Hz.)	1
*31	00-294650-017-3	Timer (120 V., 50 Hz.)	1
*32	00-294650-017-4	Timer (240 V., 50 Hz.)	1
33	SC-027-29	Mach. Screw 8-32 x ³ / ₈ Slotted Rd. Hd. (Brass)	1
34	WL-010-01	Lockwasher #8 External	1
35	NS-010-11	Nut 8-32 Hex (Brass)	1
36	00-062635-00001	Base – Rubber	1
37	00-124529	Gasket – Reset Cover	1
38	00-124526	Cover – Reset Button	1
39	00-070641-00018	Thumb Screw	2
40	NS-031-08	Stop Nut 8-32 “Elastic”	1
41	00-290363	Housing Assy. (Incls. Items 2, 7, 42, 43, 44, 48, & 49)	1
42	SC-025-07	Mach. Screw 10-24 x ⁵ / ₁₆ Bndg. Hd.	11
43	SC-025-07	Mach. Screw 10-24 x ⁵ / ₁₆ Bndg. Hd.	4
44	00-063294	Gasket – Fill Assy.	1
45	00-063456	Hose – Fill	1
46	00-079404-00001	Coupling (1/2 In. Female Pipe x 1/2 In. Tube) (Use With Peel Trap Only)	1
47	00-063242	Clamp – Hose	1
48	NS-025-01	Acorn Nut 10-24 Hex	4
49	WS-002-30	Washer	AR
50	00-064350	Fill Tube & Brkt. Assy.	1
	00-437419	Door & Handle Assy. (Incls. Items 6, 11, & 12)	1
	00-875395-00001	Kit – Interval Timer (120 V., 60 Hz.) (Incls. Items 29, 33, 34, & 35)	1
	00-875395-00002	Kit – Interval Timer (240 V., 60 Hz.) (Incls. Items 30, 33, 34, & 35)	1
	00-875395-00003	Kit – Interval Timer (120 V., 50 Hz.) (Incls. Items 31, 33, 34, & 35)	1
	00-875395-00004	Kit – Interval Timer (240 V., 50 Hz.) (Incls. Items 32 thru 35)	1

*On Machines Built Before October 9, 2001, Order Corresponding Kit.

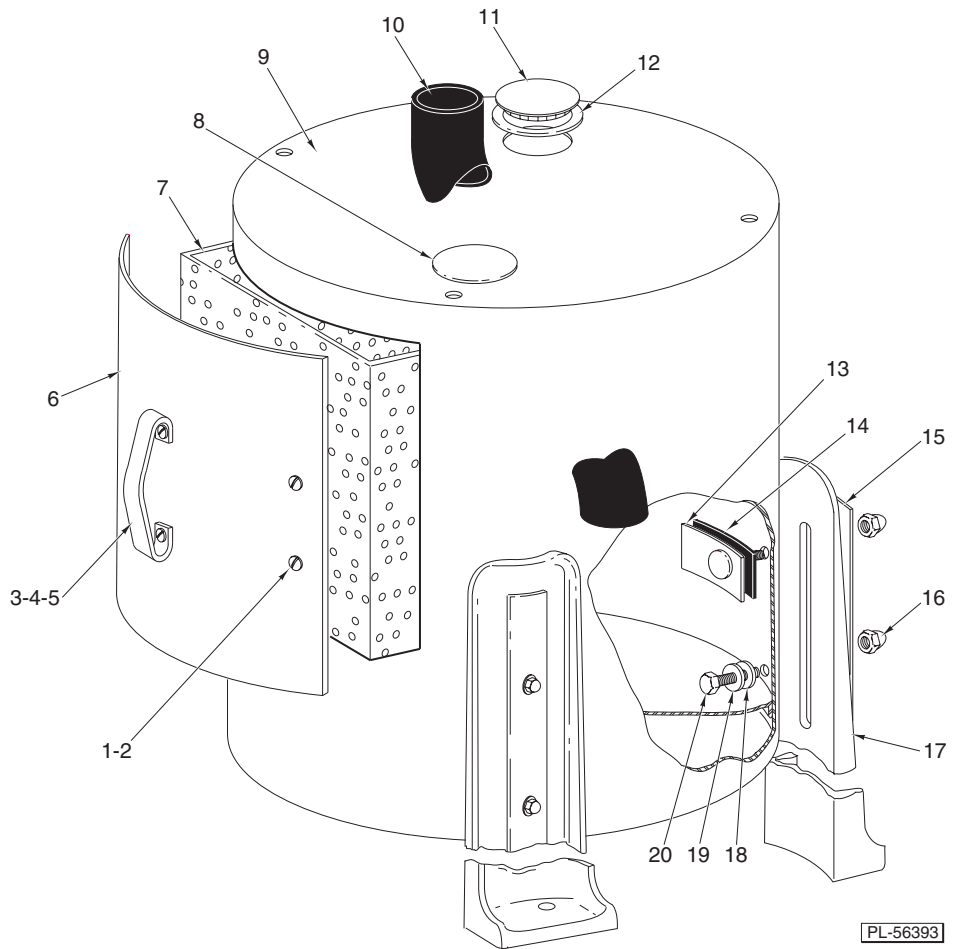


PL-56404

DRIVE UNIT

DRIVE UNIT

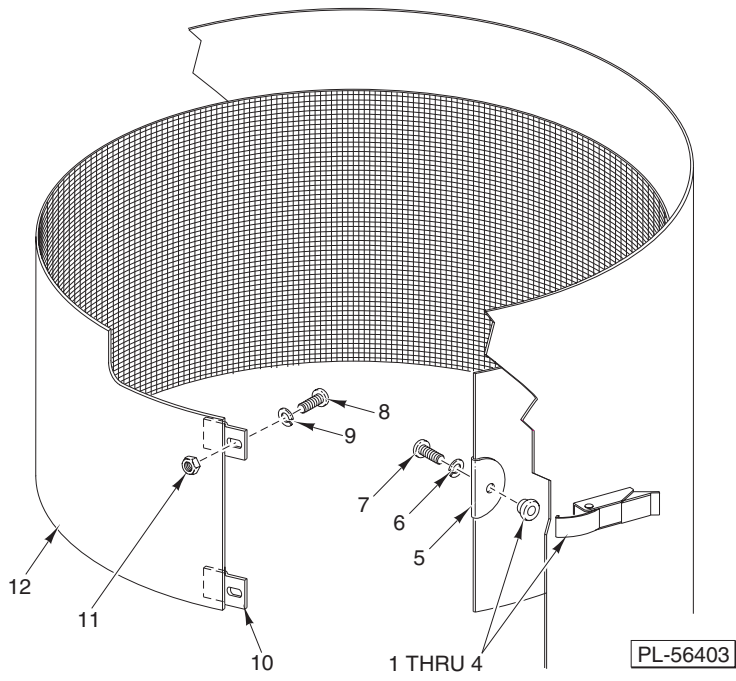
ILLUS.	PART NO.	NAME OF PART	AMT.
PL-56404			
1	00-117105	Abrasive Wheel.....	1
2	SC-067-23	Mach. Screw 5/16-18 x 3/8 Hex Hd.	1
3	00-070706-00002	Washer – Sealer	1
4	00-291252	Hub – Abrasive Wheel	1
5	00-875019	Flange – Drive	1
6	00-067500-00009	O-Ring.....	1
7	SC-041-12	Cap Screw 5/16-18 x 3/8 Hex Hd.	3
8	WL-006-23	Lockwasher 5/16 Medium	3
9	WS-004-21	Washer	3
10	00-063208	Plate – Retaining	1
11	00-108394-00046	Sleeve – Bearing	2
12	RR-004-18	Retaining Ring.....	1
13	RR-007-10	Retaining Ring.....	1
14	SC-037-85	Cap Screw 5/16-18 x 1 Hex Hd.	4
15	WL-003-44	Lockwasher 5/16 Medium	4
16	NS-013-14	Nut 5/16-18 Hex Fin.	4
17	WS-017-08	Washer	4
18	FE-022-50	Bushing – Snap	1
19	00-290027	Motor Sub-Base	1
20	00-278187-00001	Motor (115/230 V., 60 Hz., 1 Ph.).....	1
21	00-278187-00002	Motor (115/220 V., 50 Hz., 1 Ph.).....	1
22	SC-007-33	Mach. Screw 8-32 x 3/8 Rd. Hd.	1
23	WL-008-07	Lockwasher #8 Internal Shakeproof	1
24	00-117542-00006	Cord & Plug Assy. (3 Cond., 115 V.)	1
25	00-117542-00011	Cord & Plug Assy. (3 Cond., 220-250 V.)	1
26	00-117542-00016	Cord Assy. (I.E.C.)	1
27	00-078752-00003	Clamp – Cord & Plug	1
28	FE-002-27	Connector 1/2 Cord	1
29	00-015898-00003	Nut – Connector (3 Wire Cord)	1
30	00-062670	Pulley – Motor	1
31	SC-047-26	Set Screw 1/4-28 x 3/8 Soc. Hd., Cup Pt.	1
32	WL-003-38	Lockwasher 1/4 Medium	1
33	SC-036-14	Cap Screw 1/4-20 x 1/2 Hex Hd.	1
34	WS-003-45	Washer	1
35	WS-010-36	Washer	1
36	00-063267	V-Belt (Order in Pairs Only)	2
37	RP-002-19	Rollpin 3/16 Dia. x 1 3/8 Lg.	1
38	00-063207	Pulley – Driven	1
39	00-077987-00002	Tightener – Belt	1
40	NS-032-12	Nut 5/16-18 “Flexloc”	1
41	WS-017-08	Washer	1
42	00-062370	Shaft – Main Drive	1
43	00-063260	Bearing Carrier & Pivot Shaft Assy. (Incls. Items 11 & 46)	1
44	00-064722	Gasket – Bearing Carrier	1
45	00-067500-00018	O-Ring.....	1
46	00-062368	Flange – Seal	1
47	00-062367	Seal – Graphitar	1
48	RP-002-18	Rollpin 1/4 Dia. x 1 1/4 Lg.	1
49	RP-002-20	Rollpin 5/16 Dia. x 1 3/8 Lg.	1
50	NS-032-35	Stop Nut 5/16-18 “Flexloc”	4
51	SC-041-15	Mach. Screw 5/16-18 x 1 1/4 Hex Hd.	4
52	SC-007-33	Mach. Screw 8-32 x 3/8 Rd. Hd.	1
	00-985449	Kit – Drive Unit (Incls. Items 5, 6, 11, 36, 45, 47, & 49)	1
	00-062630	Abrasive Wheel & Hub Assy. (Incls. Items 1 thru 4, 50, & 51)	1



**PEEL TRAP UNIT
ML-16952-Z**

**PEEL TRAP UNIT
ML-16952-Z**

ILLUS. PL-56393	PART NO.	NAME OF PART	AMT.
1	SC-053-05	Mach. Screw 10-24 x 3/8 Truss Hd.	4
2	NS-031-15	Stop Nut 10-24 "Elastic"	4
3	00-111303-00002	Handle – Door Strainer	1
4	SC-053-05	Mach. Screw 10-24 x 3/8 Truss Hd.	2
5	NS-031-15	Stop Nut 10-24 "Elastic"	2
6	00-291437	Door – Strainer	1
7	00-437461	Strainer Bucket Assy.	1
8	00-064877	Grommet – Drain Hose	1
9	00-290404	Peel Trap Housing Assy.	1
10	00-063273	Hose – Drain (Peel Trap)	1
11	00-291592	Plug Button	1
12	00-064953	Gasket – Plug Button	1
13	00-077620	Inside Leg Clamp and Bolt Assy.	3
14	00-062601-00002	Gasket – Leg Screw	3
15	00-077619	Cover – Leg Slot	3
16	NS-025-16	Acorn Nut 3/8-16	6
17	00-077618	Leg – Peel Trap	3
18	WS-006-13	Washer (Lead)	3
19	WS-006-44	Washer	3
20	SC-041-28	Cap Screw 3/8-16 x 3/4 Hex Hd.	3
	00-437460	Strainer Bucket & Door Assy. (Incls. Items 1 thru 7)	1
	00-290580	Leg Pack (Set of 3 Legs)	1

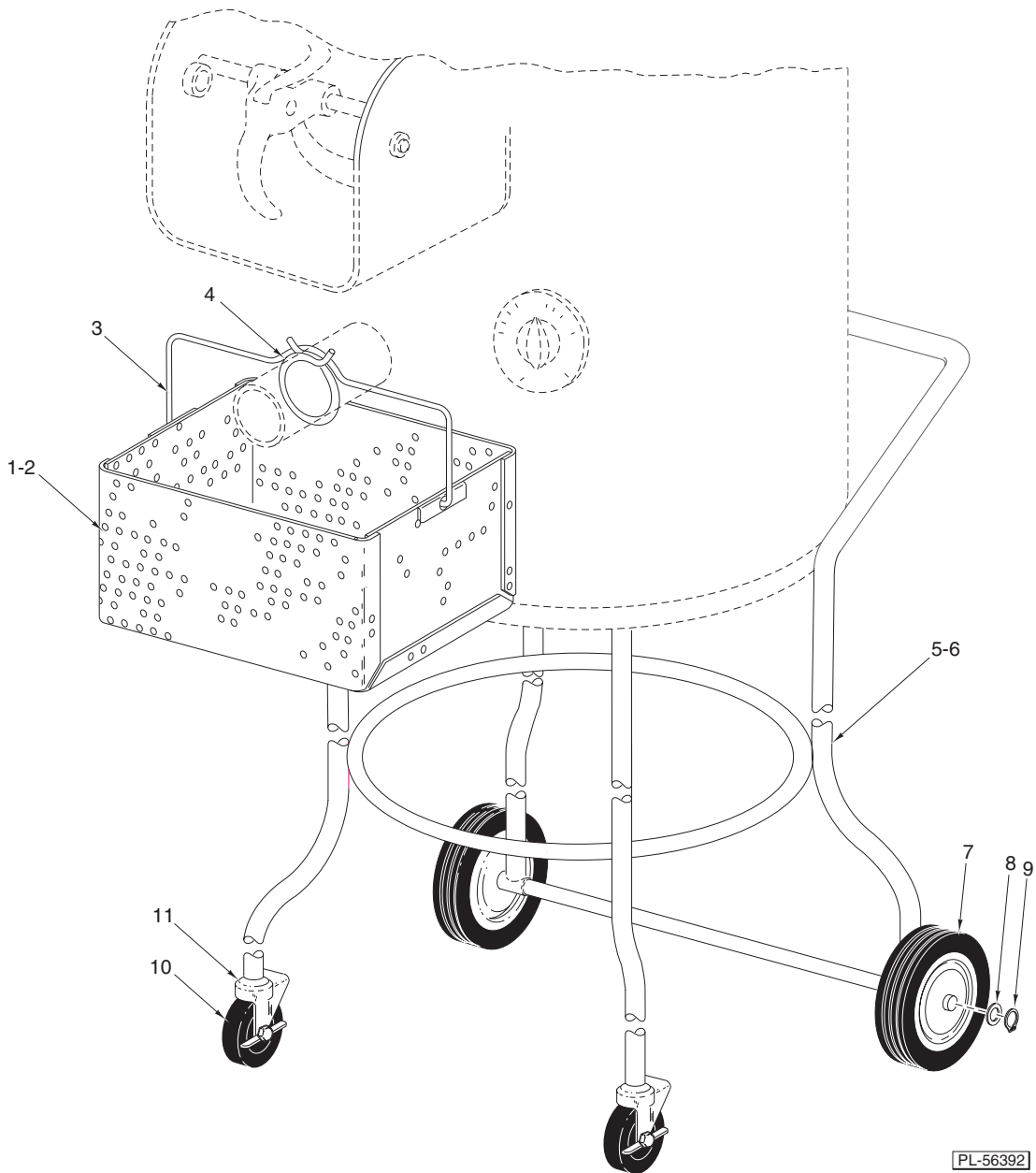


LINER

LINER

ILLUS.	PART NO.	NAME OF PART	AMT.
PL-56403			
1	00-479480	Latch – Keeper & Draw	1
2	SC-118-23	Mach. Screw 8-32 x 1/4 Slotted Pan Hd. (SST)	2
3	WL-014-05	Lockwasher #8 External (SST)	2
4	NS-011-12	Mach. Nut 8-32 Hex (SST)	2
5	00-479473	Bracket – Liner	1
6	WL-006-11	Lockwasher #12 Light (SST)	1
7	SC-066-25	Mach. Screw 12-24 x 3/8 Phil. Truss Hd. (SST)	1
8	SC-109-62	Mach. Screw 10-24 x 3/8 Slotted Pan Hd. (SST)	2
9	WL-014-07	Lockwasher #10 External (SST)	2
10	00-479475	Bracket – Liner (LH)	2
11	NS-025-01	Crown Nut 10-24 (SST)	2
*12	00-479474-00001	Liner Subassy. (Incls. Items 1, 5, 6, & 7)	1
	00-479494-00001	Liner Service Assy. (Use For Service)	1

*Starting Serial Number 27-112061 (9-25-01).



PORTABLE STAND AND BASKET

PORTABLE STAND AND BASKET

ILLUS. PL-56392	PART NO.	NAME OF PART	AMT.
1	00-290322	Basket Assy. (Peel Trap) (Incls. Items 3 & 4) (ML-19869)	1
2	00-290471	Basket Assy. (Peel Trap) (Incls. Items 3 & 4) (ML-19683) (Not Shown)	1
3	00-069560	Handle – Basket	1
4	00-534651	Clamp – Hose	1
5	00-290321	Portable Stand Assy. (Incls. Items 7 thru 11) (ML-19869)	1
6	00-290472	Portable Stand Assy. (Incls. Items 7 thru 11) (ML-19683) (Not Shown)	1
7	00-068881-00013	Wheel – Rear	2
8	WS-008-09	Washer	2
9	RR-010-12	Retaining Ring	2
10	00-068881-00014	Caster – Front	2
11	00-068881-00015	Socket – Caster	2

