



CATALOG OF REPLACEMENT PARTS

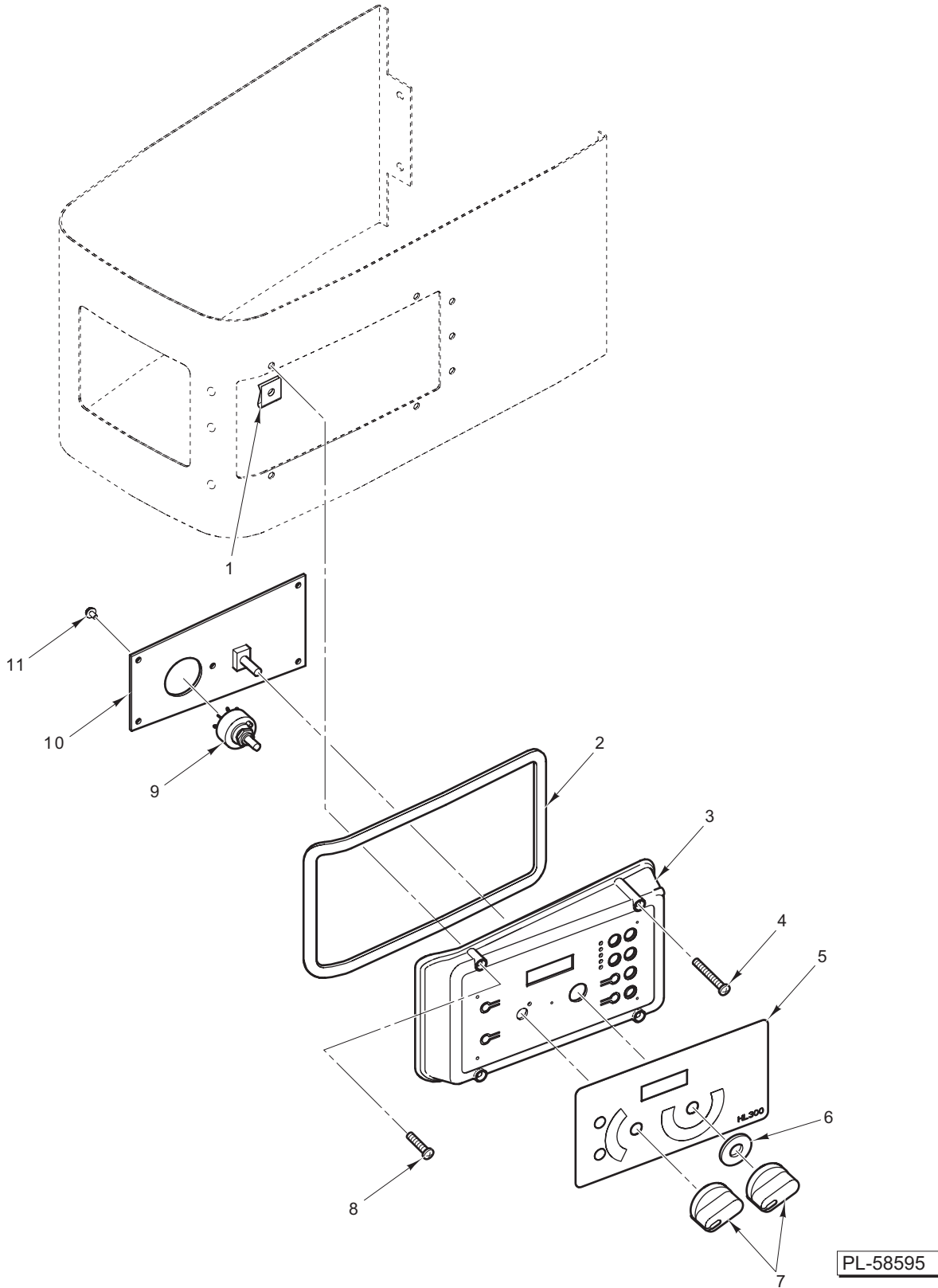


HL300 LEGACY MIXER

HL300CE	ML-134364
HL300AUS	ML-134369

Table Of Contents

5	CONTROL PANEL
7	ELECTRICAL COMPONENTS
9	BASE AND PEDESTAL
10	ATTACHMENT HUB
11	TRANSMISSION CASE AND MOTOR
13	TRANSMISSION
15	PLANETARY
17	BOWL AND BOWL GUARD
19	BOWL SUPPORT
20	AGITATORS AND ACCESSORIES

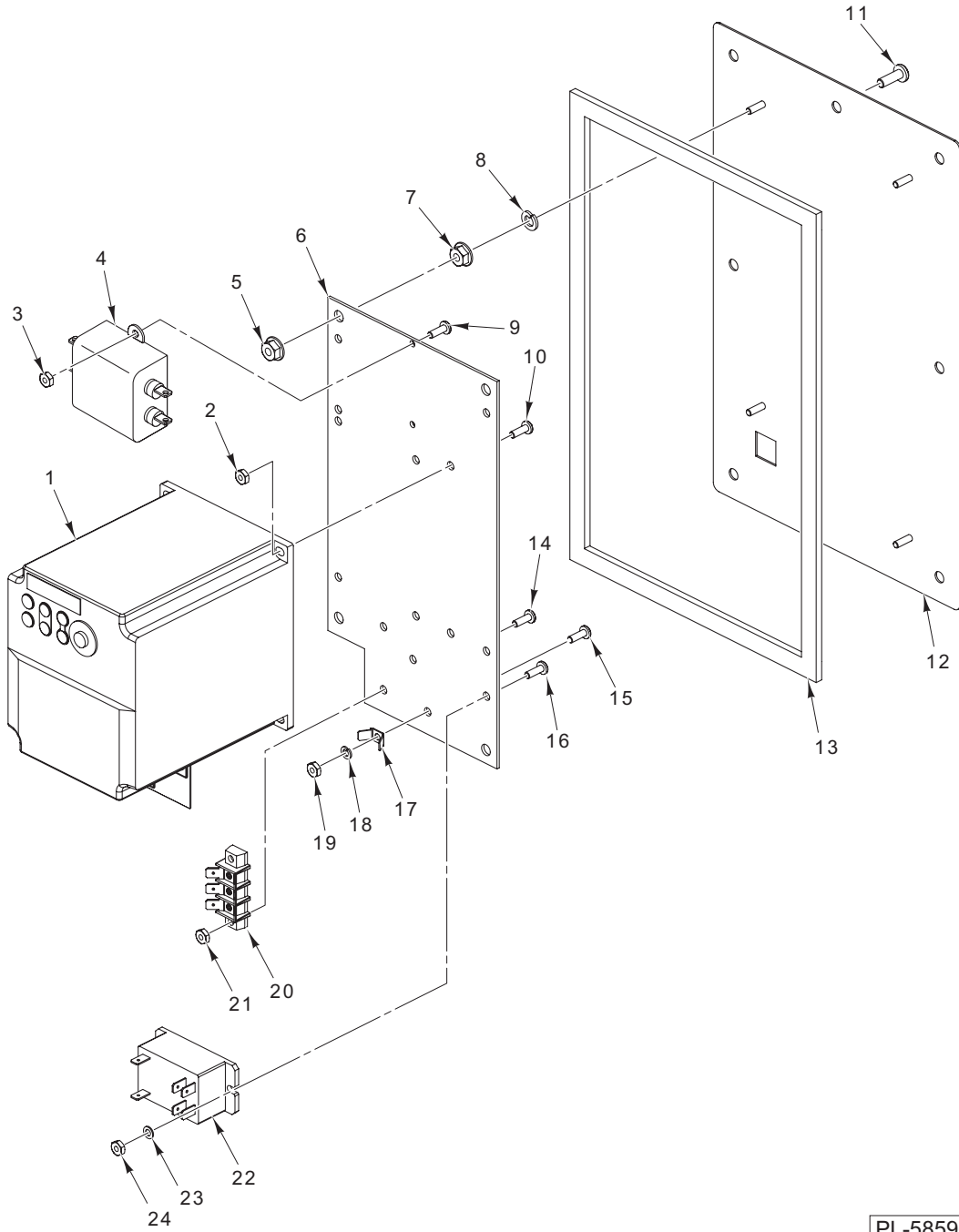


CONTROL PANEL

PL-58595

CONTROL PANEL

ILLUS.	PART NO.	NAME OF PART	AMT.
PL-58595			
1	00-874338	Fastener – Self Retaining	4
2	00-916613	Seal – Control Panel	1
3	00-916621	Panel – Control	1
4	SC-128-40	Mach. Screw 8-32 x 2 1/4 Phil. Oval Hd. (SST)	2
5	00-917107	Overlay – Standard	1
6	WS-031-55	Washer.....	1
7	00-874809	Knob	2
8	SC-128-39	Mach. Screw 8-32 x 1 1/2 Phil. Oval Hd. (SST).....	2
9	00-874831	Switch – Speed Selector Assembly	1
10	00-874883	PCB Assembly (Standard)	1
11	SD-039-23	Self-Tapping Screw 6-32 x 1/4 Hex Hd., Type RL	5

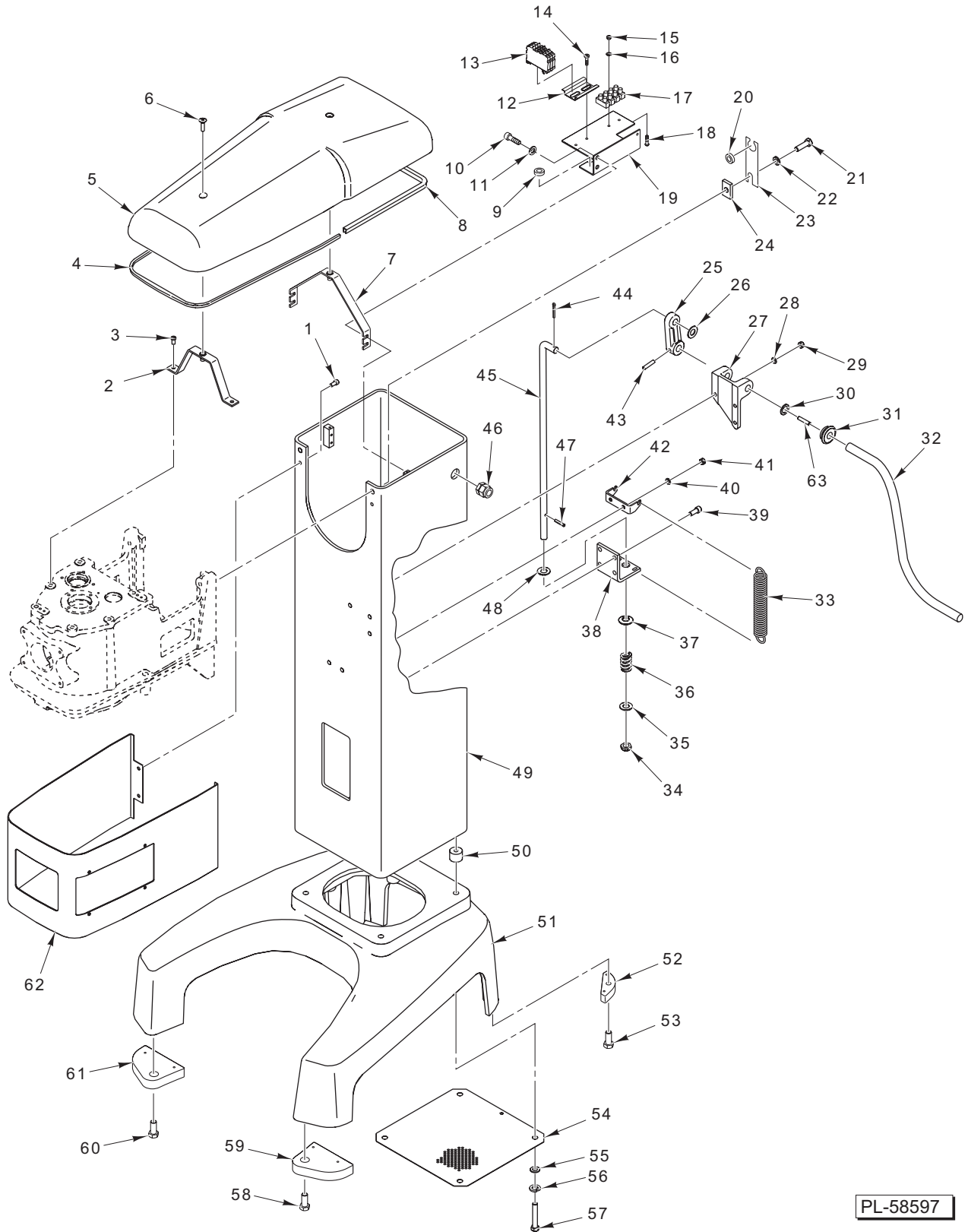


PL-58596

ELECTRICAL COMPONENTS

ELECTRICAL COMPONENTS

ILLUS.	PART NO.	NAME OF PART	AMT.
PL-58596			
1	00-917092	Controller (230 V., 50 Hz., 1 Ph.).....	1
2	NS-009-12	Nut 8-32 Hex.....	4
3	NS-009-12	Nut 8-32 Hex.....	2
4	00-916190	Filter – Power Line.....	1
5	NS-038-04	Lock Nut 1/4-20.....	4
6	00-916871	Plate – Controller Mounting.....	1
7	NS-038-04	Lock Nut 1/4-20.....	4
8	WL-007-16	Lockwasher 1/4 External.....	4
9	SC-018-34	Mach. Screw 8-32 x 1/2 Phil. Pan Hd.....	2
10	SC-018-34	Mach. Screw 8-32 x 1/2 Phil. Pan Hd.....	4
11	SC-053-46	Mach. Screw 1/4-20 x 3/4 Slotted Truss Hd. (SST).....	7
12	00-916772-00001	Cover – Back & Studs.....	1
13	00-557188	Foam – Tape.....	AR
14	SC-018-34	Mach. Screw 8-32 x 1/2 Phil. Pan Hd.....	2
15	SC-018-33	Mach. Screw 8-32 x 5/16 Phil. Pan Hd.....	1
16	SC-018-34	Mach. Screw 8-32 x 1/2 Phil. Pan Hd.....	2
17	00-065890-00090	Terminal.....	1
18	WL-003-12	Lockwasher #8 Helical.....	1
19	NS-009-12	Nut 8-32 Hex.....	1
20	00-916269	Block – Terminal.....	1
21	NS-009-12	Nut 8-32 Hex.....	2
22	00-087714-042-5	Relay (2-Pole, 30 Amp.).....	1
23	WS-023-48	Washer.....	2
24	NS-009-12	Nut 8-32 Hex.....	2
	00-917093-00001	Harness.....	1
	00-917093-00004	Harness.....	1
	00-916649	Harness – Main Wiring.....	1

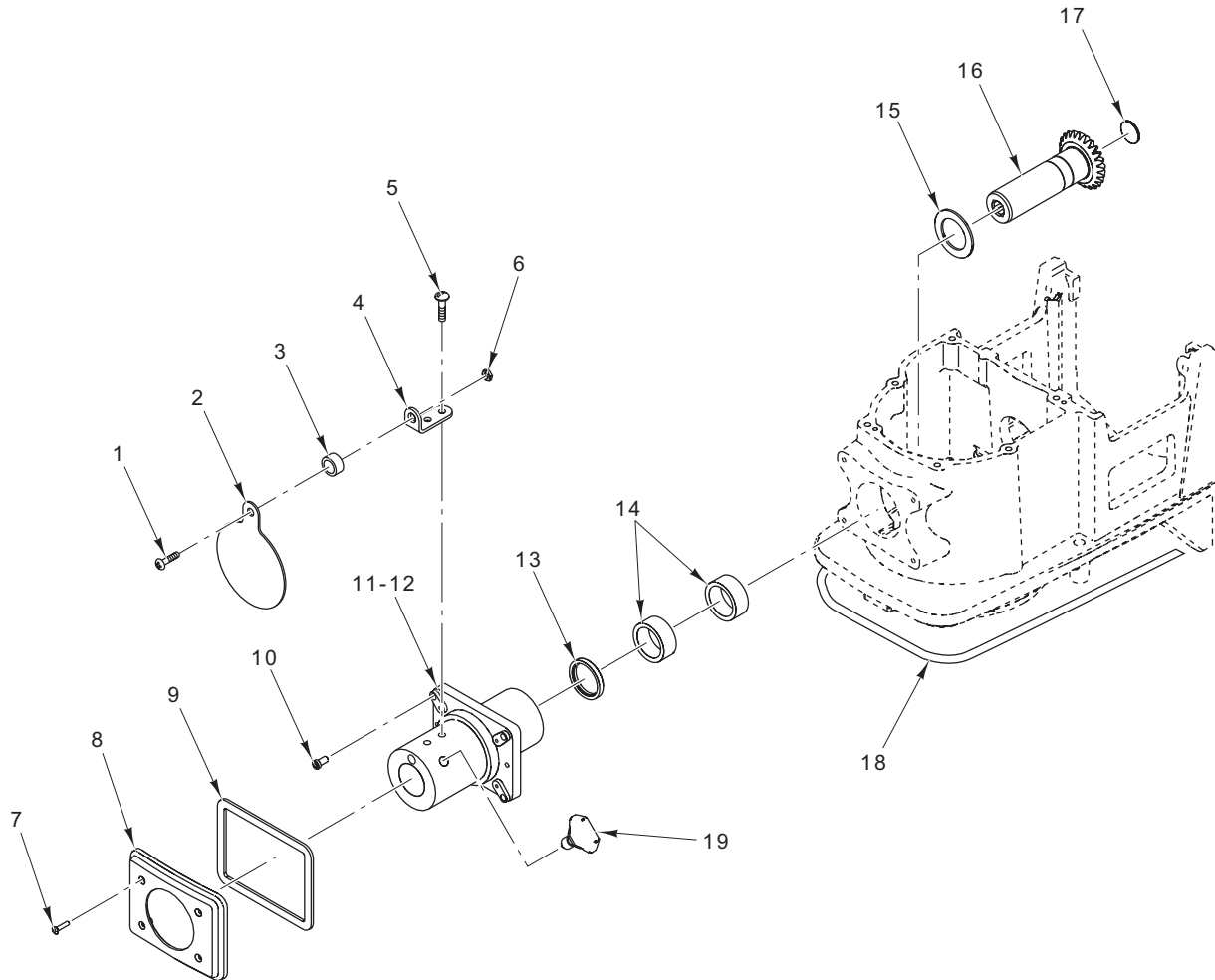


PL-58597

BASE AND PEDESTAL

BASE AND PEDESTAL

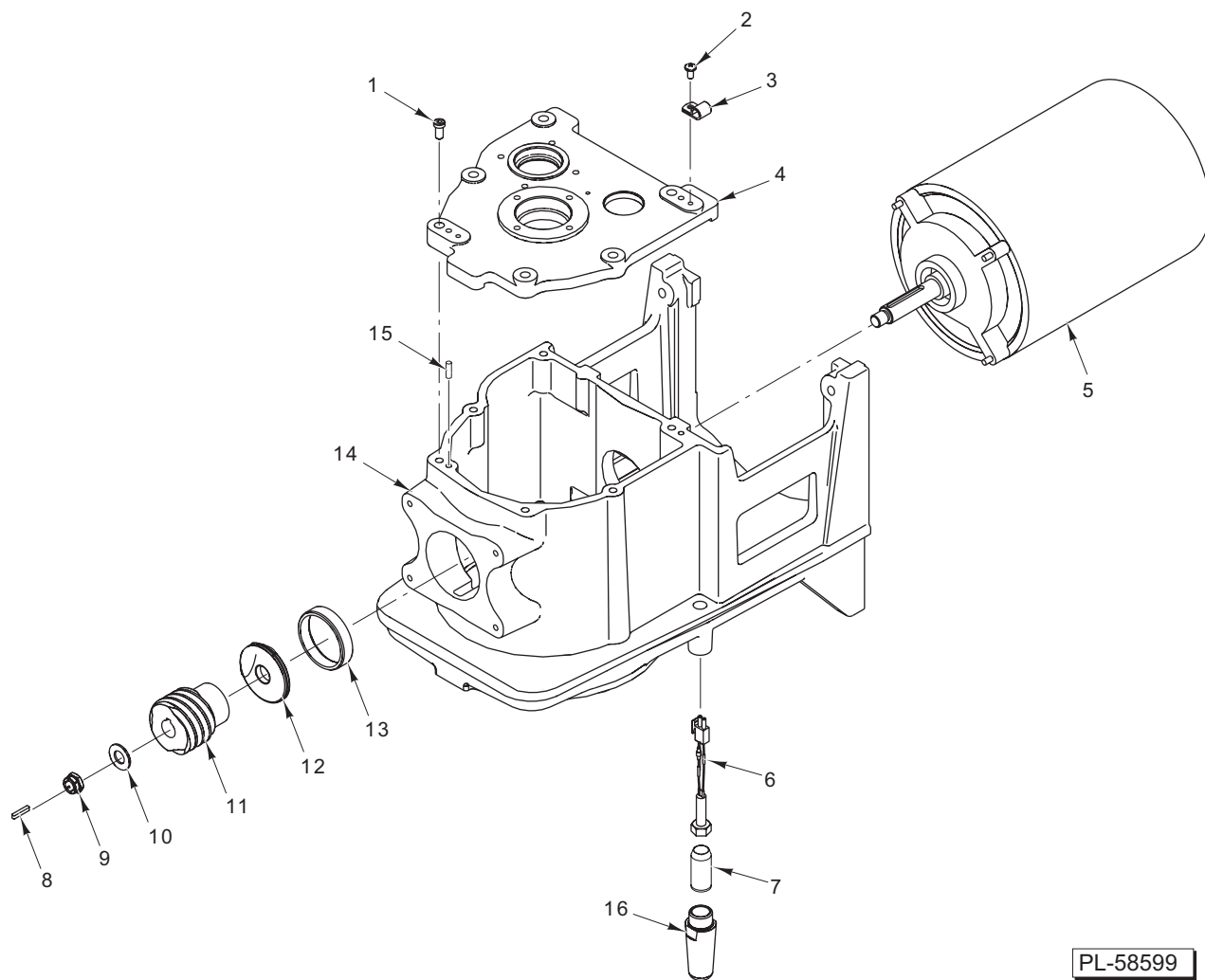
ILLUS.	PART NO.	NAME OF PART	AMT.
PL-58597			
1	SC-089-01	Cap Screw 1/4-20 x 1/2 Hex Socket Hd.....	2
2	00-916452	Strap – Front Cover Mounting	1
3	SC-089-19	Cap Screw 5/16-18 x 1 3/8 Hex Socket Hd.	2
4	00-874512-00003	Seal – Top Cover	1
5	00-916440	Cover – Top.....	1
6	SC-120-29	Mach. Screw 1/4-20 x 1 Phil. Oval Hd.....	2
7	00-916454	Strap – Rear Cover Mounting	1
8	00-916535-00001	Seal – Top Cover	1
9	FE-021-13	Bushing – Split Electric.....	1
10	SC-089-01	Cap Screw 1/4-20 x 1/2 Hex Socket Hd.....	4
11	WS-003-19	Washer.....	4
12	00-477300-00003	Rail – Din	1
13	00-916906-00001	Block – Terminal Ground.....	3
14	SD-015-40	Self-Tapping Screw 8-32 x 3/8 Phil. Pan Hd., Type TT	2
15	NS-009-07	Nut 6-32 Hex.....	2
16	WL-014-03	Lockwasher #6 External	2
17	00-477562-00002	Block – Terminal.....	1
18	SC-009-64	Mach. Screw 6-32 x 1 Slotted Rd. Hd.	2
19	00-917064	Bracket – Terminal Block	1
20	FE-021-13	Bushing – Split Electric.....	1
21	SC-118-09	Cap Screw 3/8-16 x 1 1/4 Hex Hd.	6
22	WL-004-06	Lockwasher 3/8 Helical.....	6
23	00-916815	Plate – Wire Routing.....	1
24	00-271340	Bar – Reinforcing	6
25	00-916467	Arm – Bowl Lift.....	1
26	WS-008-47	Washer.....	1
27	00-916442	Block – Bowl Lift Bearing	1
28	WL-003-38	Lockwasher 1/4 Helical	3
29	NS-013-02	Nut 1/4-20 Hex	3
30	WS-020-01	Washer (SST)	1
31	00-271343	Grommet – Handle	1
32	00-916482	Handle – Bowl Lift.....	1
33	00-916463	Spring – Bowl Lift.....	2
34	NS-031-39	Stop Nut 1/2-20	1
35	WS-008-47	Washer.....	1
36	00-070104	Spring – Bowl Lift.....	1
37	00-070131	Washer – Cup Bowl Lift	1
38	00-916469	Bracket – Bowl Lift Support	1
39	SC-040-14	Cap Screw 5/16-18 x 3/4 Hex Socket Hd.	4
40	WL-003-38	Lockwasher 1/4 Helical.....	2
41	NS-013-02	Nut 1/4-20 Hex	2
42	00-916449	Hook – Bowl Lift Spring	1
43	RP-002-26	Pin – Roll	1
44	PC-006-13	Cotter Pin.....	1
45	00-916468	Rod – Bowl Lift.....	1
46	FE-022-84	Strain Relief – Electrical.....	1
47	RP-002-10	Pin – Roll	1
48	WS-008-47	Washer.....	1
49	00-916364-00004	Column	1
50	00-916508	Lug – Threaded Column	4
51	00-916213-00004	Base.....	1
52	00-916309	Pad – Rear.....	2
53	SC-110-36	Cap Screw 3/8-16 x 1 Hex Hd.	2
54	00-916549	Screen – Air	1
55	WS-018-24	Washer.....	4
56	WL-004-06	Lockwasher 3/8 Helical.....	4
57	SC-118-05	Cap Screw 3/8-16 x 2 3/4 Hex Hd.....	4
58	SC-110-36	Cap Screw 3/8-16 x 1 Hex Hd.	1
59	00-916308	Pad – Front (RH)	1
60	SC-110-36	Cap Screw 3/8-16 x 1 Hex Hd.	1
61	00-916307	Pad – Front (LH).....	1
62	00-916387	Wrapper – Transmission.....	1
63	RP-002-25	Pin – Roll	1
	00-916546	Kit – Corroision Protection Pad.....	1
	00-916353	Kit – Foot Pad (Incls. Items 52, 53, & 58 thru 61).....	1



PL-58598

ATTACHMENT HUB

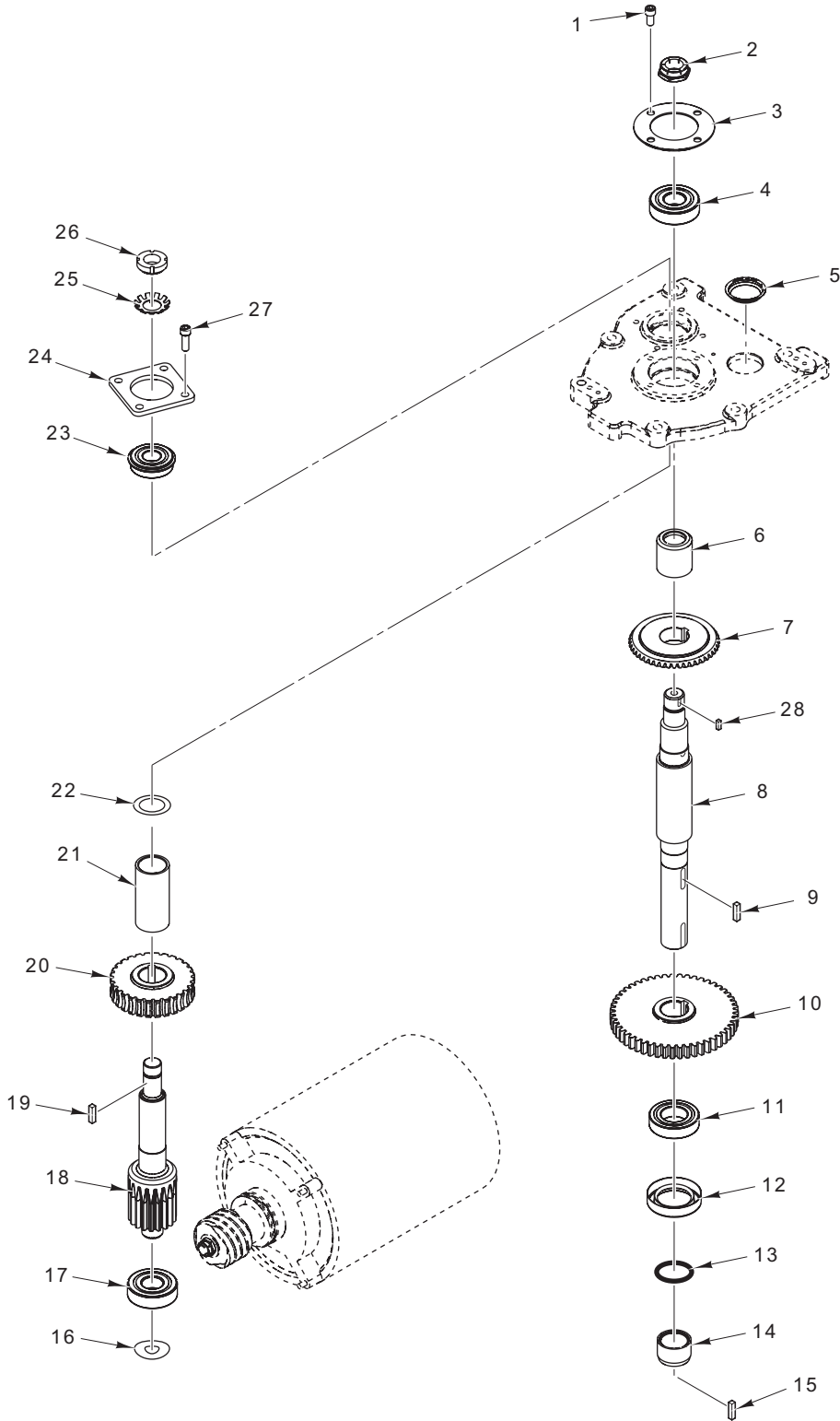
ILLUS.	PART NO.	NAME OF PART	AMT.
	PL-58598		
1	SC-093-23	Mach. Screw 10-24 x 3/8 Phil. Pan Hd.....	1
2	00-875989	Cover – Attachment Hub.....	1
3	00-875991	Bushing.....	1
4	00-875988	Bracket – Attachment Hub Cover.....	1
5	SC-093-23	Mach. Screw 10-24 x 3/8 Phil. Pan Hd.....	2
6	NS-046-28	Crown Nut 10-24 Hex (SST).....	1
7	SC-079-04	Mach. Screw 8-32 x 3/4 Phil. Oval Hd. (SST).....	4
8	00-873973-00002	Panel – Front.....	1
9	00-875813	Seal – Front Cover.....	1
10	SC-040-09	Cap Screw 1/4-20 x 1 1/4 Hex Socket Hd.....	4
11	00-916662-00002	Hub – Attachment.....	1
12	OR-001-09	O-Ring.....	1
13	00-916733	Seal – Attachment Hub.....	1
14	BN-005-11	Bearing – Needle.....	2
15	00-061920-00009	Washer.....	1
16	00-916601-00002	Gear – Drive Attachment (Incls. Item 17).....	1
17	PL-003-17	Plug – Expansion.....	1
18	00-874925-00005	Seal – Neopreme.....	1
19	00-108197-00001	Screw – Thumb.....	1



PL-58599

TRANSMISSION CASE AND MOTOR

ILLUS. PL-58599	PART NO.	NAME OF PART	AMT.
1	SC-040-15	Cap Screw $\frac{5}{16}$ x 18 x $1\frac{1}{4}$ Hex Socket Hd.	6
2	SC-018-62	Mach. Screw 10-24 x $\frac{3}{8}$ Phil. Pan Hd.	1
3	00-078752-00003	Clamp – Cable	1
4	00-916324	Cover – Top	1
5	00-917096	Motor Assy.	1
6	00-874929	Switch – Reed (Fused)	1
7	00-917169	Holder – Reed Switch	1
8	00-012430-00069	Key $\frac{3}{16}$ x $\frac{3}{16}$ x $1\frac{39}{64}$	1
9	NS-032-23	Lock Nut $\frac{7}{16}$ -20 Special	1
10	WS-021-08	Washer	1
11	00-916338	Worm – Motor	1
12	00-916388	Deflector – Grease (LH)	1
13	00-916445	Bushing – Motor	1
14	00-916326-00003	Transmission	1
15	00-011800-00187	Dowel	2
16	00-916533	Holder – Reed Switch	1

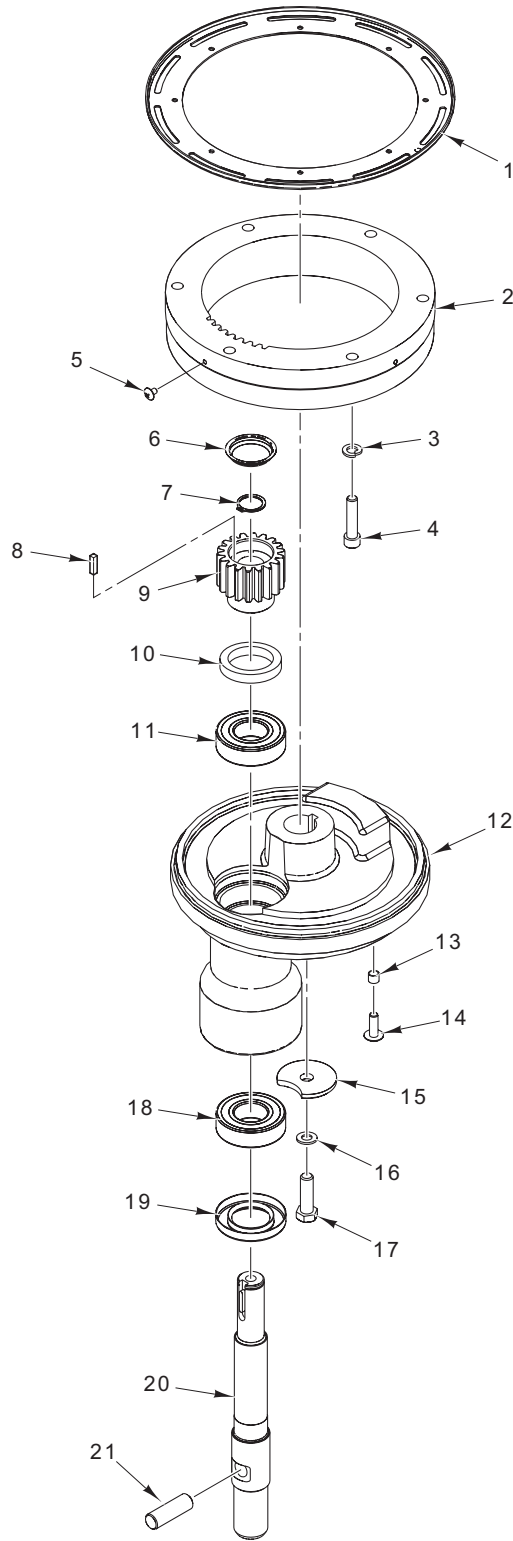


PL-58600

TRANSMISSION

TRANSMISSION

ILLUS.	PART NO.	NAME OF PART	AMT.
PL-58600			
1	SC-089-01	Cap Screw 1/4-20 x 1/2 Hex Socket Hd.....	4
2	NS-032-32	Lock Nut 3/4-16	1
3	00-916439-00002	Retainer – Planetary	1
4	BB-005-34	Bearing – Ball	1
5	00-064871	Plug – Friction.....	1
6	00-916665	Spacer – Upper Planetary	1
7	00-070020-00002	Gear – Bevel (46T)	1
8	00-916667	Shaft – Planetary	1
9	00-012430-00136	Key.....	1
10	00-916666	Gear – Helical (51T)	1
11	BB-015-08	Bearing – Ball	1
12	00-110334	Seal – Planetary	1
13	00-067500-00068	O-Ring	1
14	00-916663	Spacer – Lower Planetary	1
15	00-012430-00158	Key.....	1
16	SL-005-04	Spring – Loading.....	1
17	BB-020-06	Bearing – Ball	1
18	00-916340	Shaft – Worm Gear.....	1
19	00-012430-00138	Key.....	1
20	00-916339	Gear – Worm	1
21	00-916357	Spacer – Input Shaft.....	1
22	00-916358	Spacer - Upper Input Shaft.....	1
23	BB-021-21	Bearing – Ball	1
24	00-916438	Retainer – Wormwheel	1
25	WL-012-04	Lockwasher.....	1
26	NS-034-04	Lock Nut 3/4-16	1
27	SC-089-02	Cap Screw 1/4-20 x 3/4 Hex Socket Hd.	4
28	00-012430-00134	Key.....	1

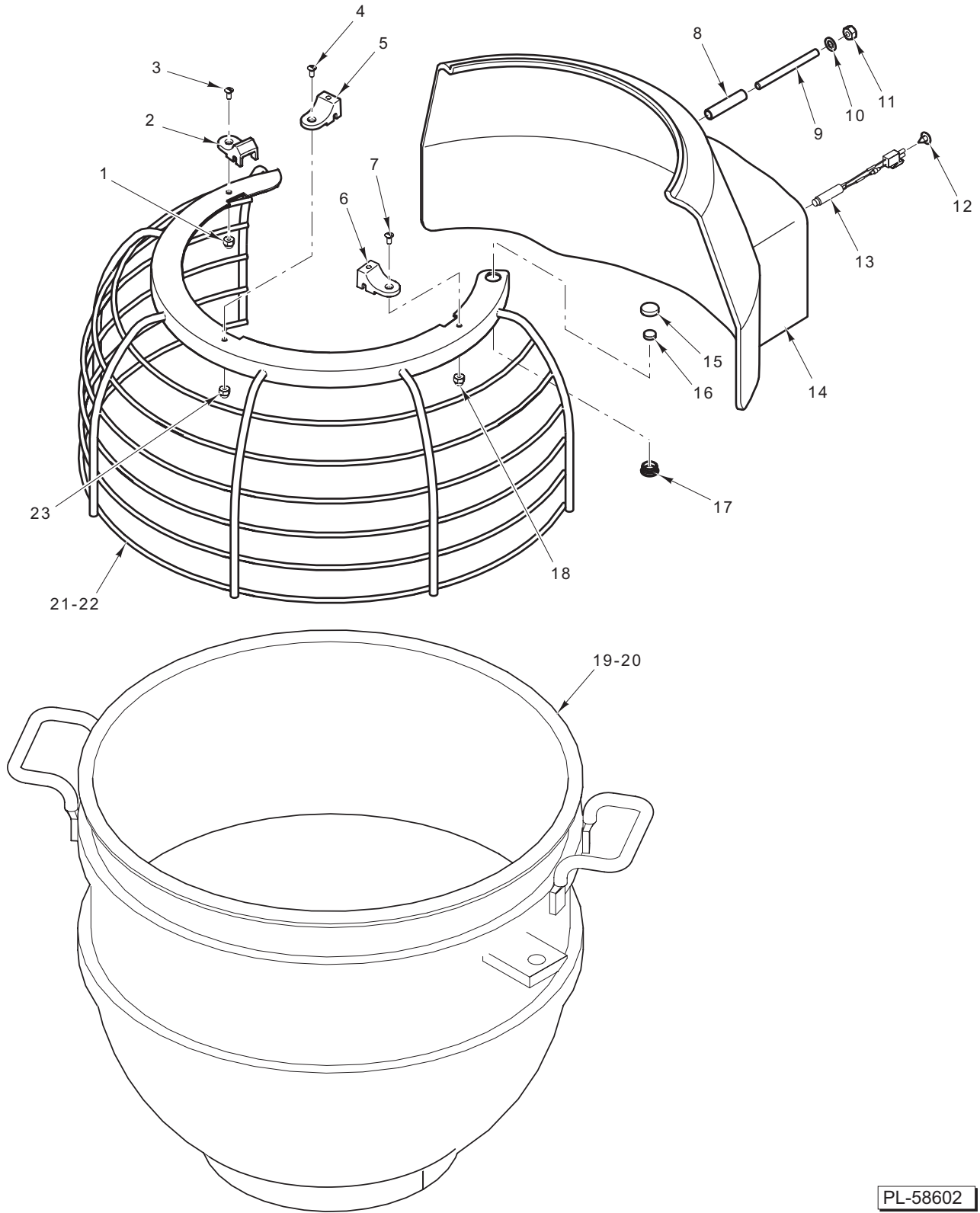


PL-58601

PLANETARY

PLANETARY

ILLUS.	PART NO.	NAME OF PART	AMT.
PL-58601			
1	00-916363	Flange – Dripcup	1
2	00-916416-00001	Gear – Internal	1
3	WL-003-48	Lockwasher ⁵ / ₁₆ Helical	6
4	SC-089-19	Cap Screw ⁵ / ₁₆ -18 x 1 ³ / ₈ Hex Socket Hd.	6
5	SC-066-13	Mach. Screw 8-32 x ¹ / ₄ Phil. Truss Hd. (SST)	3
6	00-064871	Plug – Friction	1
7	RR-004-06	Retaining Ring	1
8	00-012430-00142	Key	1
9	00-916461	Pinion – Agitator Shaft	1
10	00-916563	Seal – Upper Agitator Shaft	1
11	BB-020-06	Bearing – Ball	1
12	00-916435	Planetary	1
13	00-874770	Spacer – Bowl Scraper	2
14	SC-053-46	Mach. Screw ¹ / ₄ -20 x ³ / ₄ Slotted Truss Hd. (SST)	2
15	00-070047-00001	Washer – Planetary	1
16	WL-006-27	Lockwasher ³ / ₈ Helical	1
17	SC-062-58	Cap Screw ³ / ₈ -24 x 1 ¹ / ₄ Hex Socket Hd.	1
18	BB-017-36	Bearing – Ball	1
19	00-110335	Seal – Agitator Shaft	1
20	00-916457	Shaft – Agitator	1
21	00-070019	Pin – Agitator	1

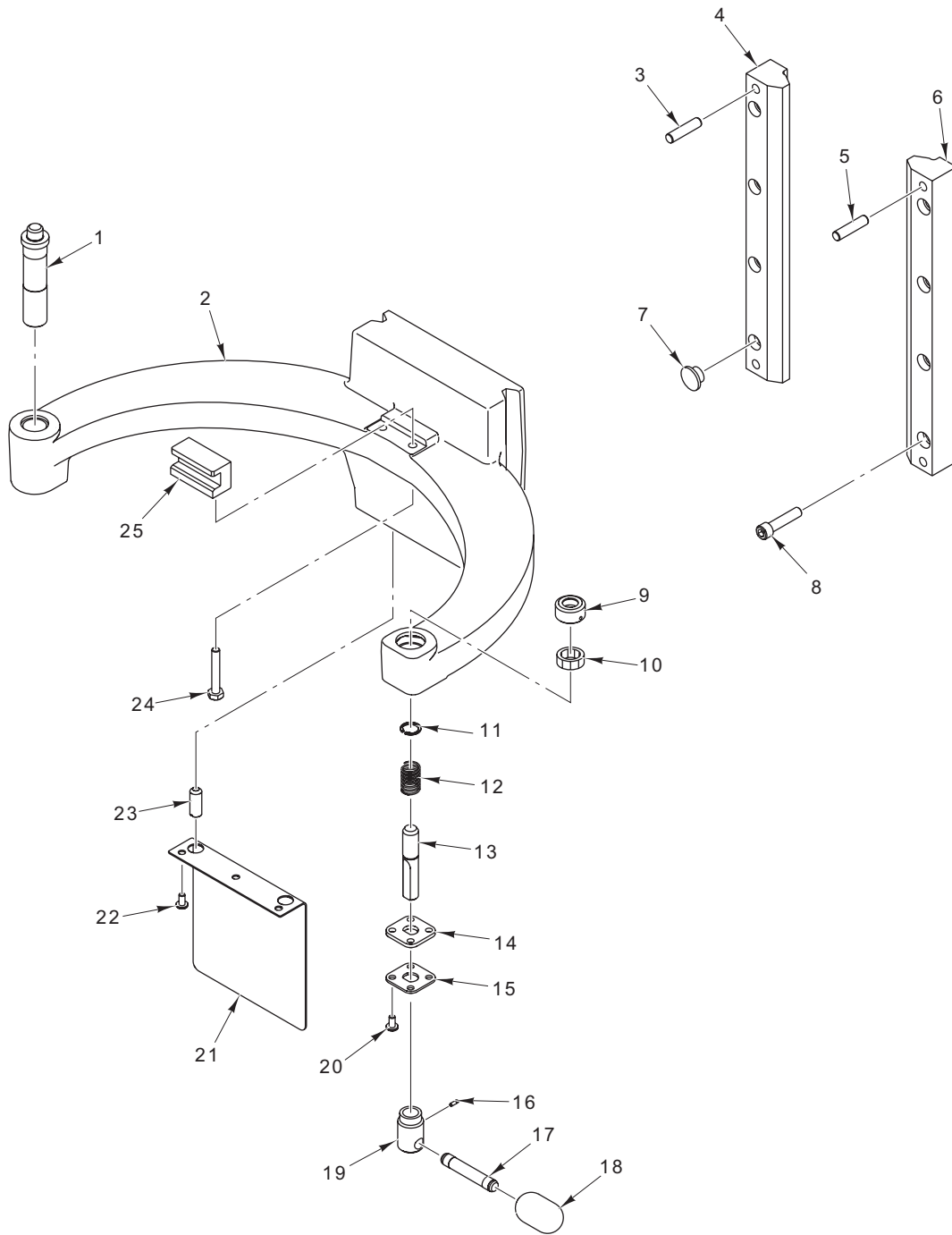


PL-58602

BOWL AND BOWL GUARD

BOWL AND BOWL GUARD

ILLUS.	PART NO.	NAME OF PART	AMT.
PL-58602			
1	NS-048-96	Crown Nut 6-32 (SST)	1
2	00-916424-00002	Carrier – Wire Cage Bypass	1
3	SC-129-39	Mach. Screw 6-32 x 5/16 Slotted Oval Hd. (SST)	1
4	SC-129-39	Mach. Screw 6-32 x 5/16 Slotted Oval Hd. (SST)	1
5	00-916424-00001	Carrier – Wire Cage Standard	1
6	00-916424-00001	Carrier – Wire Cage Standard	1
7	SC-129-39	Mach. Screw 6-32 x 5/16 Slotted Oval Hd. (SST)	1
8	00-916610	Spacer – Splash Guard	4
9	00-916671	Rod – Splash Guard	4
10	WS-003-19	Washer.....	8
11	NS-013-02	Nut 1/4-20 Hex	4
12	SD-034-19	Self-Tapping Screw 10-16 x 3/8 Phil. Truss Hd., Type AB.....	1
13	00-874929	Switch – Reed.....	1
14	00-916407	Guard – Splash Back.....	1
15	00-874887	Holder – Upper Magnet	1
16	00-874875	Magnet – Disc.....	1
17	00-874886	Holder – Lower Magnet	1
18	NS-048-96	Crown Nut 6-32 (SST)	1
19	00-916617	Bowl Assy. (20 Qt.).....	1
20	00-916616	Bowl Assy. (30 Qt.).....	1
21	00-916423-00001	Cage – Wire Weldment (ML-134364)	1
22	00-916423-00003	Cage – Wire Weldment (ML-134369)	1
23	NS-048-96	Crown Nut 6-32 (SST)	1
	00-916422-00001	Wire Cage Assy. (Incls. Items 1 thru 7, 15 thru 18, 21, & 23) (ML-134364)	1
	00-916422-00003	Wire Cage Assy. (Incls. Items 1 thru 7, 15 thru 18, 22, & 23) (ML-134369)	1

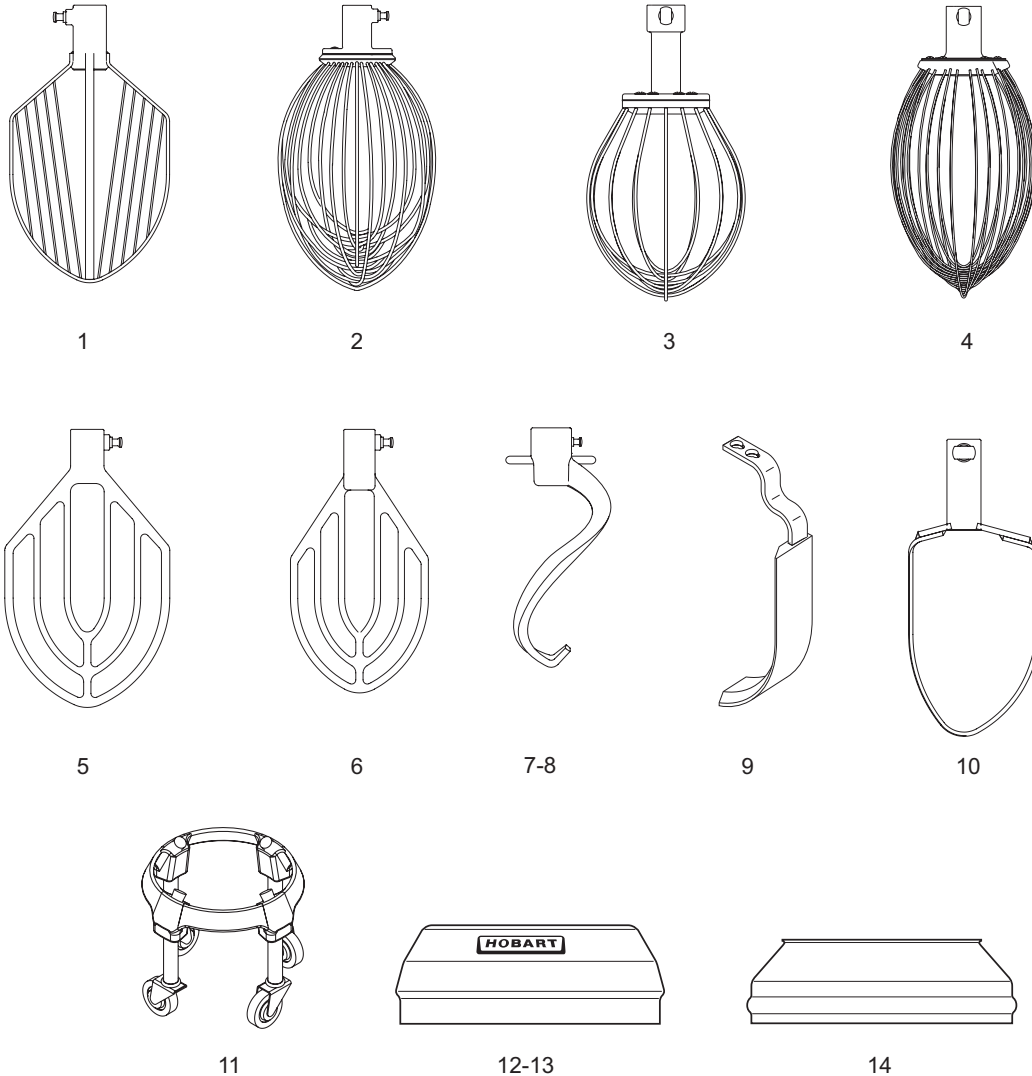


PL-58603

BOWL SUPPORT

BOWL SUPPORT

ILLUS. PL-58603	PART NO.	NAME OF PART	AMT.
1	00-916516	Pin – Bowl (LH).....	1
2	00-916497	Support – Bowl	1
3	00-011800-00141	Dowel ¹ / ₁₆ x 1 ³ / ₁₆	2
4	00-916365-00001	Slideway – Bowl Lift (LH).....	1
5	00-011800-00141	Dowel ¹ / ₁₆ x 1 ³ / ₁₆	2
6	00-916365-00002	Slideway – Bowl Lift (RH)	1
7	PB-004-96	Cap	8
8	SC-089-19	Cap Screw ⁵ / ₁₆ -18 x 1 ³ / ₈ Hex Socket Hd.	8
9	00-916501	Ramp	1
10	00-916502	Bushing – Split.....	1
11	RR-012-30	Retaining Ring	1
12	00-916488	Spring – Compression	1
13	00-916505	Pin – Bowl (RH)	1
14	00-916550	Glide – Bowl Release	1
15	00-916506	Plate – Bowl Release.....	1
16	SC-047-74	Set Screw 8-32 x ¹ / ₄ Hex Hdls., Cup Pt.....	1
17	00-916552	Shaft – Bowl Pin Handle	1
18	00-875356	Handle – Lift Lever.....	1
19	00-916503	Block – Bowl Handle.....	1
20	SC-093-23	Mach. Screw 10-24 x ³ / ₈ Phil. Pan Hd. (SST)	4
21	00-916470	Apron – Lower	1
22	SC-093-23	Mach. Screw 10-24 x ³ / ₈ Phil. Pan Hd. (SST)	3
23	SC-129-59	Set Screw ³ / ₈ -16 x 1	2
24	SC-097-15	Cap Screw ¹ / ₄ -20 x 1 ⁵ / ₈ Hex Hd.....	2
25	00-916515	Catch – Rear Bowl.....	1



PL-58604

AGITATORS AND ACCESSORIES

ILLUS.	PART NO.	NAME OF PART	AMT.
1	00-916573	"C" Wire Whip (30 & 40 Qt.) (Packaged)	1
2	00-916598	"D" Wire Whip (20 Qt.) (Packaged)	1
3	00-916520	"I" Wire Whip (30 & 40 Qt.) (Packaged)	1
4	00-916421	"D" Wire Whip (30 & 40 Qt.) (Packaged)	1
5	00-916372	"B" Beater (30 & 40 Qt.) (Packaged)	1
6	00-916582	"B" Flat Beater (20 Qt.) (Packaged)	1
7	00-916827	"ED" Dough Arm (20 Qt.) (Packaged)	1
8	00-916618-00001	"ED" Hook (30 & 40 Qt.) (Packaged)	1
9	00-916838	Bowl Scraper (30 Qt.) (Packaged)	1
10	00-916481	"P" Pastry Knife (30 & 40 Qt.) (Packaged)	1
11	00-916883	Bowl Truck Assy.	1
12	00-438079	Splash Cover (20 Qt.) (Packaged) (Lexan)	1
13	00-438080	Splash Cover (30 Qt.) (Packaged) (Lexan)	1
14	00-875677	Splash Cover (20 Qt.) (Packaged) (SST)	1
	00-916684	Chute – Ingredient (20 Qt.) (Packaged)	1
	00-438607	Chute – Ingredient (30 Qt.) (Packaged)	1