



# CATALOG OF REPLACEMENT PARTS



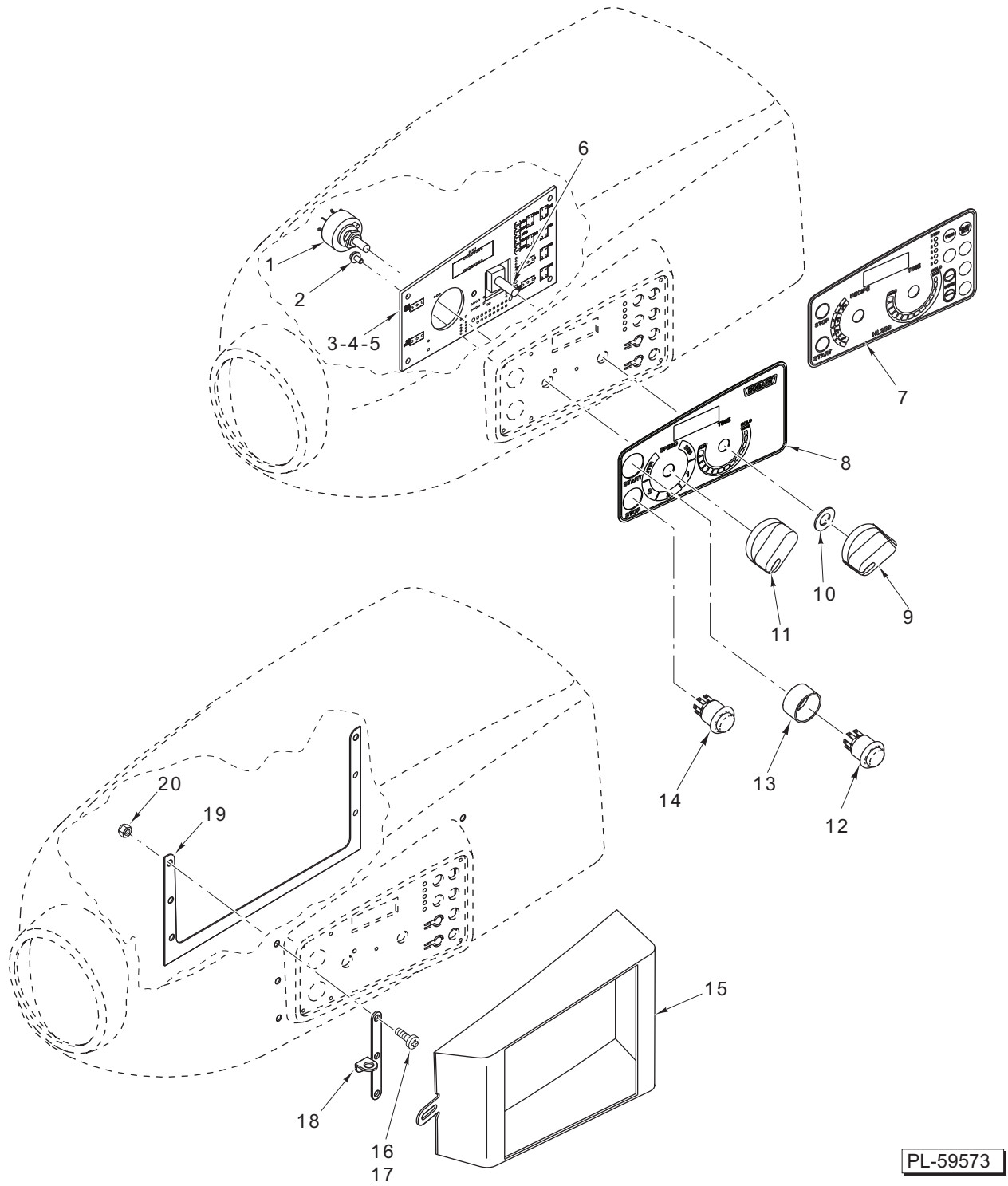
## LEGACY MIXER

HL120	ML-134296
HL120	ML-134459
HL200	ML-134289
HL200	ML-134331
HL200	ML-134455
HL200	ML-134457
HL200	ML-134458
HL200C	ML-134456



## Table of Contents

5	CONTROL PANEL
7	ELECTRICAL COMPONENTS
9	ATTACHMENT HUB
11	BASE AND PEDESTAL
13	FLOOR BASE AND PEDESTAL (ML-134331 & ML-134458)
15	BOWL SUPPORT
17	TRANSMISSION CASE AND MOTOR
19	TRANSMISSION
21	PLANETARY (PREVIOUS CONSTRUCTION)
23	PLANETARY (CURRENT CONSTRUCTION) (UNITS BUILT ON OR AFTER SERIAL #31-1386989)
25	BOWL AND BOWL GUARD
27	AGITATORS AND ACCESSORIES
29	MIXER TABLE (ML-134299)
30	WIRING HARNESS
31	WIRING HARNESS



**CONTROL PANEL**

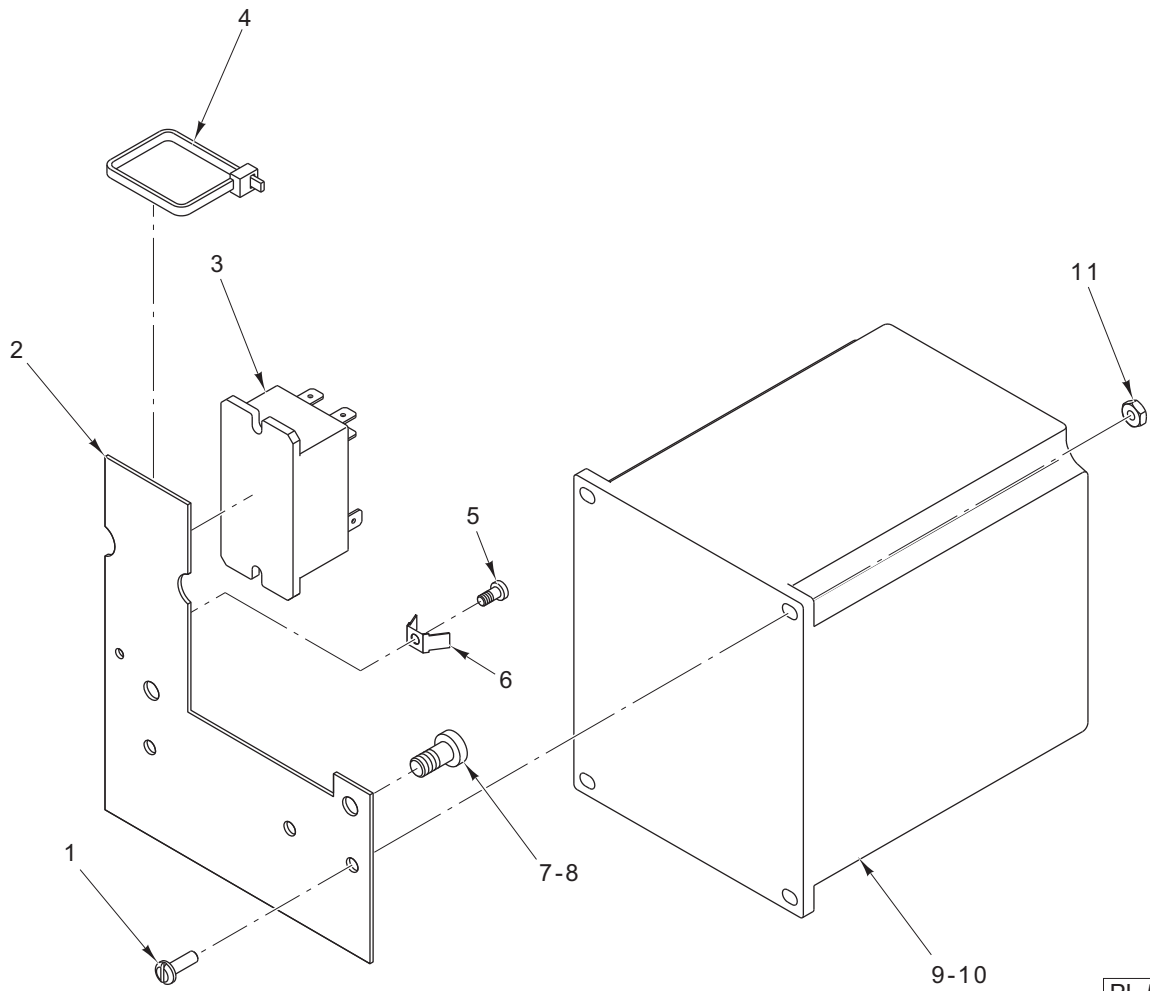
PL-59573

**CONTROL PANEL**

ILLUS. PL-59573	PART NO.	NAME OF PART	AMT.
**1	00-937061	Switch – Speed Selector Assy. (6-Position).....	1
2	SD-039-23	Self-Tapping Screw 6-32 x 1/4 Hex Washer Hd., Type RL.....	5
3	00-917212	PCB Assy. (Standard Timer With Off Board Potentiometer and 4-Position Speed Selector Switch).....	1
*4	00-917213	PCB Assy. (Recipe Timer With Off Board Potentiometer and 4-Position Speed Selector Switch).....	1
5	00-937135	PCB Assy. (Standard Timer With 6-Position Speed Selector Switch) (HL120 Units Built On Or After Serial #311398203 and HL200 Units Built On Or After Serial #311422459).....	1
6	00-916594	Potentiometer Assy. (Off Board Units Built On Or After Serial #311398234).....	1
7	00-874811	Overlay (HL200) (Recipe Timer Using 4-Position Speed Selector).....	1
**8	00-937071	Overlay (6-Position Speed Selector Switch).....	1
9	00-874809	Knob .....	1
10	WS-031-55	Washer.....	1
11	00-874809	Knob .....	1
12	00-916593	Switch – Sealed Dome .....	1
13	00-916958-00002	Guard – Switch .....	1
14	00-916592	Switch – Sealed Dome .....	1
15	00-874921	Cover – Weldment (ML-134456).....	1
16	SC-128-62	Mach. Screw 10-24 x 1/2 Tx. Button Hd. (ML-134456).....	6
17	00-042648	Insert – Threaded (ML-134456).....	6
18	00-874923	Latch (ML-134456) .....	1
19	00-874931	Plate – Backer (ML-134456).....	1
20	NS-038-13	Lock Nut 10-24 Hex (ML-134456) .....	6

\* Order recipe timer assembly 00-913102-00103 when replacing recipe timer with on board potentiometer.

\*\* Order cover control upgrade 00-913103 when replacing 4-position speed selector switch, standard timer with on board potentiometer, or standard timer overlay with 4-position speed selector.  
All used on HL120 units built before serial #311398203, and HL200 units built before serial #311422459.



PL-59579

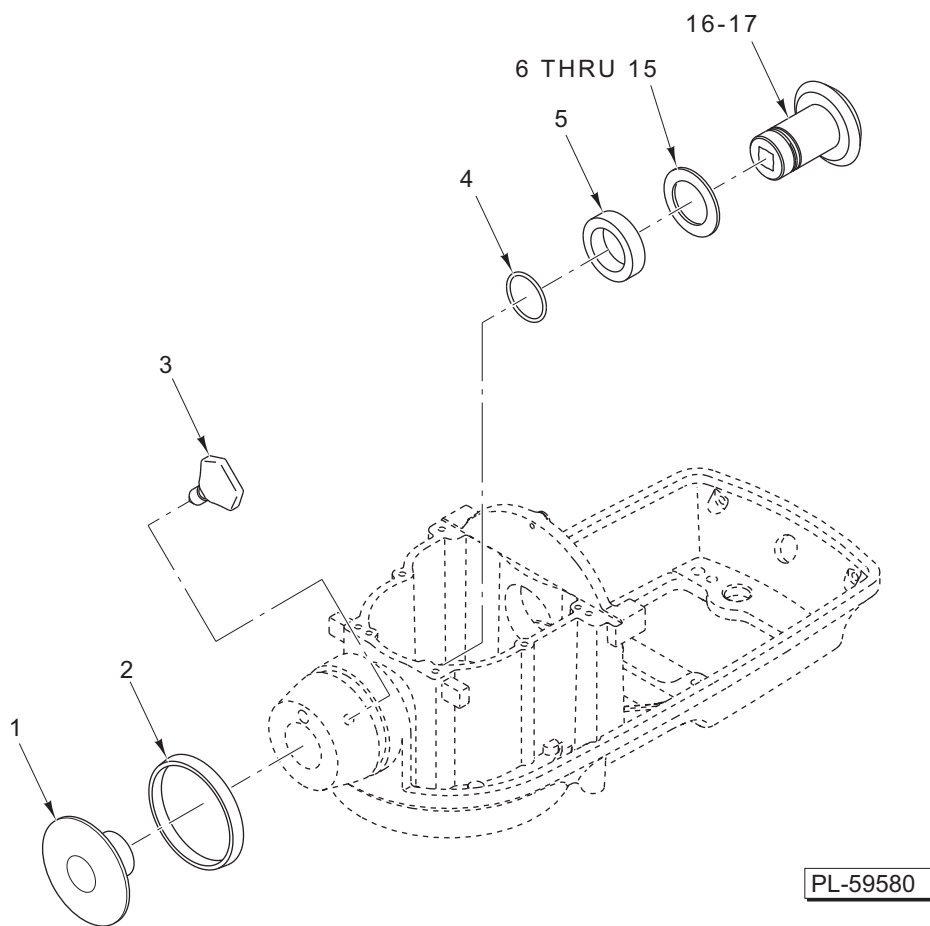
**ELECTRICAL COMPONENTS**

**ELECTRICAL COMPONENTS**

ILLUS.	PART NO.	NAME OF PART	AMT.
PL-59579			
1	SC-018-38	Mach. Screw 8-32 x 1/2 Slotted Pan Hd.....	2
2	00-874763	Bracket – Controller .....	1
3	00-087714-042-5	Relay (2 Pole, 30 Amp.).....	1
4	00-113703	Tie – Cable (8 In.) .....	1
5	SD-015-37	Self-Tapping Screw 6-32 x 1/4 Phil. Pan Hd., Type TT .....	1
6	00-065890-00090	Terminal (2-Tab).....	1
7	SC-114-80	Mach. Screw 1/4-20 x 3/8 Slotted Pan Hd. ....	2
8	SC-100-08	Mach. Screw 1/4-20 x 3/8 Hex Washer Hd. ....	2
*9	00-916893	Controller – Low Voltage (100-120 V., 50-60 Hz., 1 Ph.).....	1
**10	00-916894	Controller – High Voltage (200-240 V., 50-60 Hz., 1 Ph.).....	1
11	NS-009-12	Mach. Nut 8-32 Hex.....	2

\* Order controller assembly 00-913102-00099 when replacing low voltage controller with pin type harness connections.

\*\* Order controller assembly 00-913102-00100 when replacing high voltage controller with pin type harness connections.



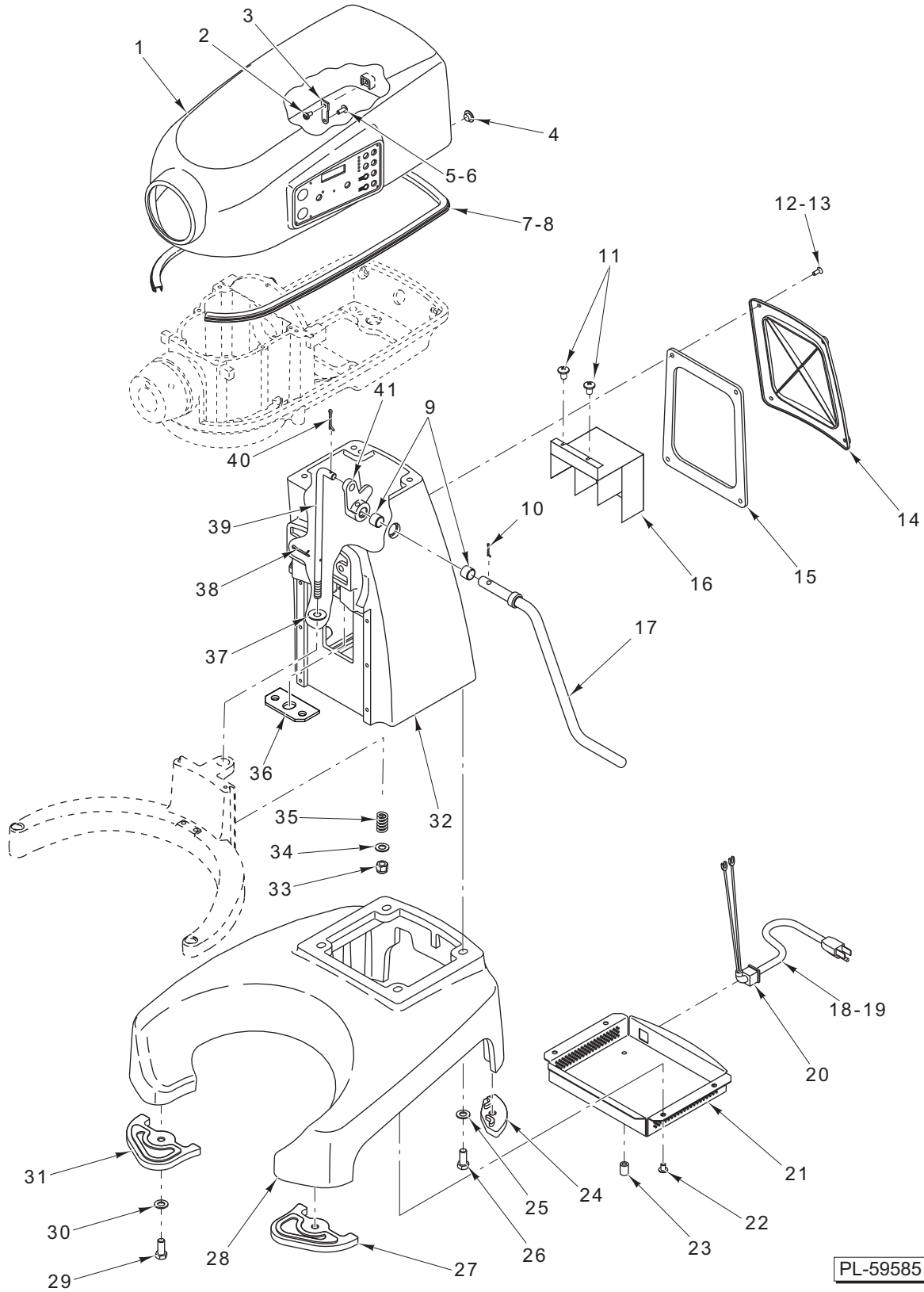
PL-59580

**ATTACHMENT HUB**



**ATTACHMENT HUB**

ILLUS.	PART NO.	NAME OF PART	AMT.
PL-59580			
1	00-917221	Plug – Attachment.....	1
2	00-937329-00003	Seal – Neoprene.....	1
3	00-108197-00001	Screw – Thumb 1 <sup>1</sup> / <sub>8</sub> .....	1
4	OR-001-03	O-Ring – Quad.....	1
5	00-874837	Spacer .....	1
6	00-012746-00005	Washer – Thrust (0.080).....	AR
7	00-012746-00006	Washer – Thrust (0.106).....	AR
8	00-012746-00007	Washer – Thrust (0.092).....	AR
9	00-012746-00008	Washer – Thrust (0.086).....	AR
10	00-012746-00009	Washer – Thrust (0.098).....	AR
11	00-012746-00010	Washer – Thrust (0.112).....	AR
12	00-012746-00012	Washer – Thrust (0.119).....	AR
13	00-012746-00013	Washer – Thrust (0.121).....	AR
14	00-012746-00016	Washer – Thrust (0.129).....	AR
15	00-012746-00019	Washer – Thrust (0.115).....	AR
16	00-435065-00002	Bevel Gear Seal Assy. (Incls. Item 17).....	1
17	PL-003-17	Plug – Expansion.....	1



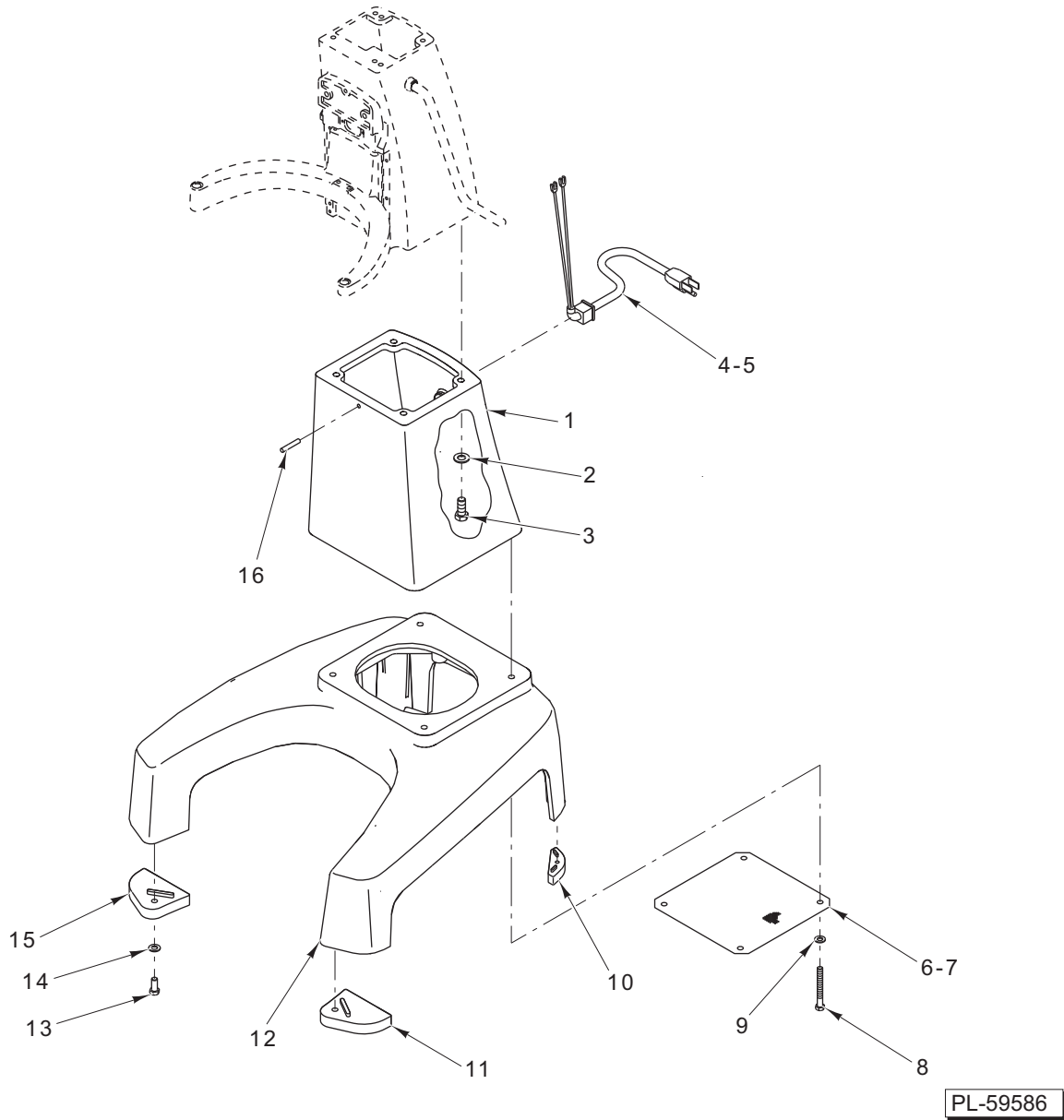
PL-59585

**BASE AND PEDESTAL**

**BASE AND PEDESTAL**

ILLUS.	PART NO.	NAME OF PART	AMT.
PL-59585			
*1	00-913103-00002	Cover Assy.....	1
2	SD-024-38	Self-Tapping Screw 10-24 x 3/8 Slotted Pan Hd., Type TT.....	2
3	00-874829	Tab – Cover Mounting.....	2
4	00-874857	Plug – Hole.....	1
5	SC-066-20	Mach. Screw 10-32 x 1/2 Phil. Truss Hd. (SST).....	2
6	SC-128-81	Mach. Screw 10-32 x 1/2 Tx. Button Hd. (ML-134456).....	2
7	00-937329-00001	Seal – Neoprene.....	1
8	00-937329-00002	Seal – Neoprene.....	1
9	00-479510	Bushing – Bowl Lift.....	2
10	PS-004-15	Pin – Spirol (1/4).....	1
11	SC-123-98	Mach. Screw M4 x 0.7 x 6mm Phil. Pan Hd. ....	2
12	SC-023-10	Mach. Screw 10-24 x 3/4 Slotted Oval Hd. (SST).....	4
13	SC-131-27	Mach. Screw 10-24 x 3/4 Tx. Flat. Hd. (SST) (ML-134456).....	4
14	00-917231	Cover – Pedestal (Back).....	1
15	00-937202-00001	Seal – Neoprene Pedestal Cover.....	1
16	00-937204	Barrier – Drive Shield.....	1
17	00-874745-00002	Handle & Bushing – Bowl Lift.....	1
18	00-874833-00001	Cord, Plug, & Strain Relief (120 V.).....	1
19	00-874833-00002	Cord, Plug, & Strain Relief (220 V.).....	1
20	FE-026-34	Relief – Strain (Electrical).....	1
21	00-874760	Cover – Controller.....	1
22	SC-114-80	Mach. Screw 1/4-20 x 3/8 Phil. Pan Hd. ....	4
23	FE-026-43	Plug – Button.....	1
24	00-874879	Pad – Rear.....	2
25	WS-018-24	Washer.....	4
26	SC-118-11	Cap Screw 3/8-16 x 7/8 Hex Hd.....	4
27	00-874896	Pad – Front (RH).....	1
28	00-874720-00002	Base.....	1
29	SC-118-12	Cap Screw 3/8-16 x 3/4 Hex Hd.....	4
30	WS-018-34	Washer.....	4
31	00-874878	Pad – Front (LH).....	1
32	00-874723-00002	Pedestal.....	1
33	NS-036-15	Stop Nut 3/8-24 Special.....	1
34	WS-006-26	Washer.....	1
35	00-012782	Spring.....	1
36	00-874870	Plate – Spring Bowl Yoke.....	1
37	WS-006-26	Washer.....	1
38	PC-003-55	Cotter Pin 1/8.....	1
39	00-874748	Rod – Bowl Lift.....	1
40	PC-003-55	Cotter Pin 1/8.....	1
41	00-874756	Arm – Bowl Lift.....	1
	00-917167	Barrier – Steam (Foam Type Obsolete).....	1
	00-539847	Tie – Cable.....	AR

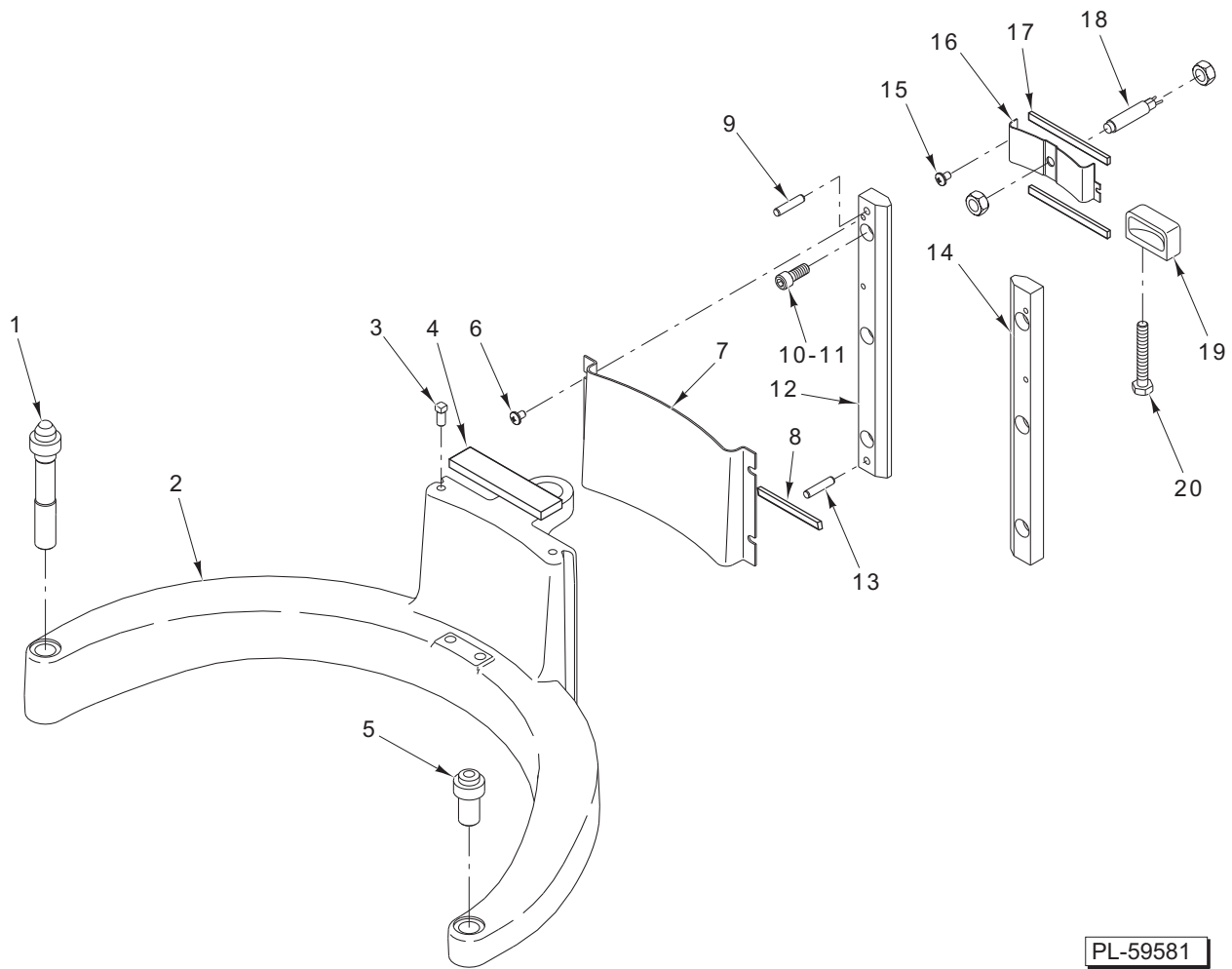
\* Order cover control upgrade 00-913103 when replacing a cover on any machine that has 4-position speed selector switch. This upgrade will convert machines with recipe timers to a standard timer. Recipe timer option is no longer available.



**FLOOR BASE AND PEDESTAL (ML-134331 & ML-134458)**

**FLOOR BASE AND PEDESTAL (ML-134331 & ML-134458)**

ILLUS. PL-59586	PART NO.	NAME OF PART	AMT.
1	00-916548-00002	Block – Riser.....	1
2	WS-018-24	Washer.....	4
3	SC-118-10	Cap Screw 3/8-16 x 1 Hex Hd.....	4
4	00-874833-00001	Cord & Plug Assy. (120 V.).....	1
5	00-874833-00002	Cord & Plug Assy. (220 V.).....	1
6	00-916330	Screen – Air Floor (Previous Construction) .....	1
7	00-916549	Screen – Air Floor (Current Construction) .....	1
8	SC-124-91	Cap Screw 3/8-16 x 2 1/2 Hex Hd.....	4
9	WS-018-24	Washer.....	4
10	00-916309	Pad – Rear.....	2
11	00-916308	Pad – Front (RH) .....	1
12	00-916213-00004	Base.....	1
13	SC-118-12	Cap Screw 3/8-16 x 3/4 Hex Hd.....	4
14	WS-018-34	Washer.....	4
15	00-916307	Pad – Front (LH).....	1
16	PG-005-25	Pin – Grooved.....	1

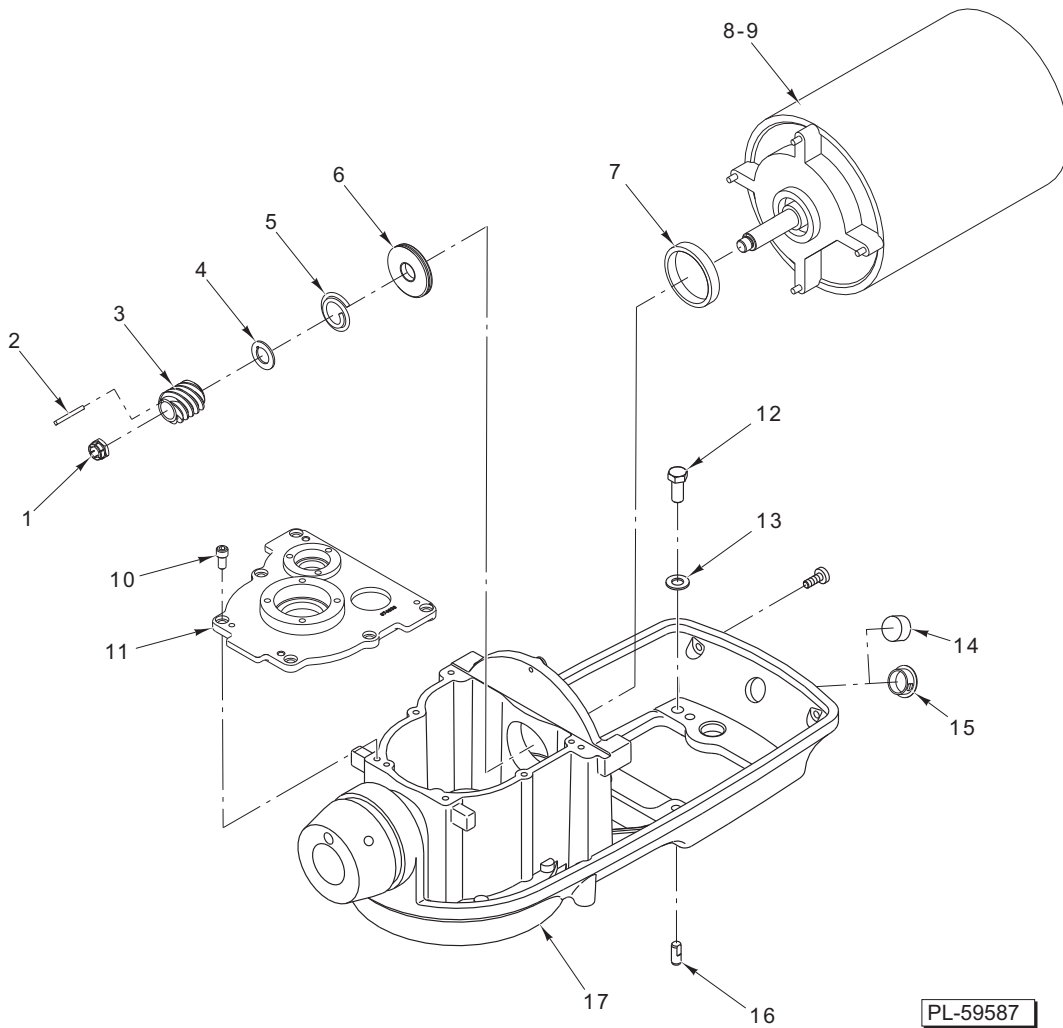


PL-59581

**BOWL SUPPORT**

**BOWL SUPPORT**

ILLUS.	PART NO.	NAME OF PART	AMT.
PL-59581			
1	00-874726	Pin – Bowl (LH).....	1
2	00-874841-00002	Support – Bowl.....	1
3	SC-129-22	Set Screw 1/4-20 x 1/4 Sq. Hd. Cup Pt.....	2
4	00-937203	Seal – Neoprene.....	1
5	00-874727	Pin – Bowl (RH).....	1
6	SC-122-59	Mach. Screw 8-32 x 1/4 Phil. Pan Hd. (SST).....	4
7	00-874742	Apron.....	1
8	00-937202-00003	Seal – Neoprene Apron.....	1
9	00-011800-00187	Dowel.....	2
10	SC-089-02	Cap Screw 1/4-20 x 3/4 Hex Socket Hd.....	6
11	SC-128-73	Mach. Screw 8-32 x 1/4 Tx. Button Hd. (SST) (ML-134456).....	6
12	00-874738-00001	Slideway – Bowl Lift (LH).....	1
13	00-011800-00187	Dowel.....	1
14	00-874738-00002	Slideway – Bowl Lift (RH).....	1
15	SC-122-59	Mach. Screw 8-32 x 1/4 Phil. Pan Hd. (SST).....	2
16	00-937323	Cover – Bowl Interlock.....	1
17	00-937202-00002	Seal – Neoprene Control Cover.....	2
18	00-087711-00352	Switch – Reed.....	1
19	00-874842	Hold Down – Bowl (Rear).....	1
20	SC-062-69	Cap Screw 1/4-20 x 1 3/4 Hex Hd.....	2
	PB-004-97	Cap.....	4



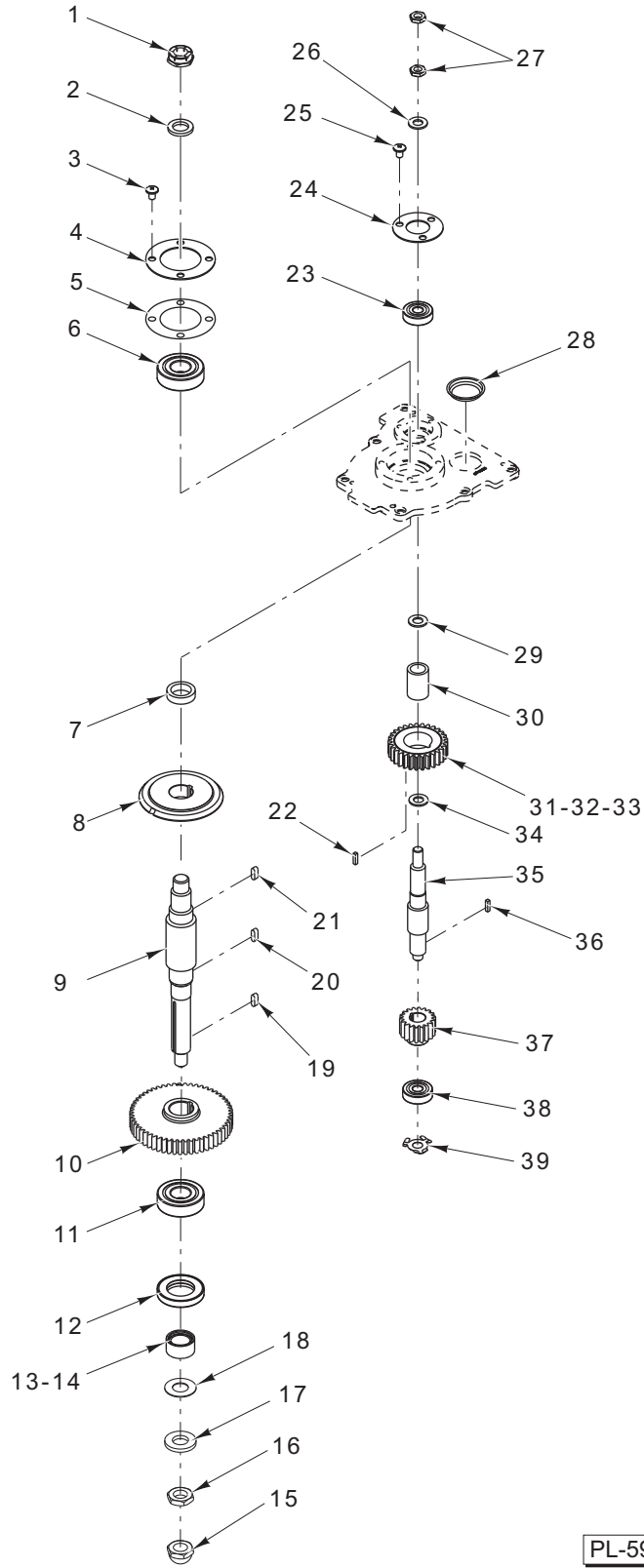
**TRANSMISSION CASE AND MOTOR**



**TRANSMISSION CASE AND MOTOR**

ILLUS.	PART NO.	NAME OF PART	AMT.
PL-59587			
1	NS-032-23	Lock Nut <sup>7</sup> / <sub>16</sub> -20 Special .....	1
2	00-012430-00004	Key <sup>1</sup> / <sub>8</sub> x <sup>1</sup> / <sub>8</sub> x 1 <sup>1</sup> / <sub>4</sub> .....	1
3	00-291221	Worm – Gear 60 Cycle .....	1
4	00-012754	Washer.....	1
5	00-012757	Absorber – Shock Spring.....	1
6	00-874820	Deflector – Grease (LH).....	1
7	00-916445	Bushing – Motor Mounting (ML-134455, ML-134456, ML-134457, ML-134458, & ML-134459)1	
8	00-917810	Motor (Low Voltage Only 100-120 V., 50-60 Hz., 1 Ph.) (ML-134455, ML-134456, ML-134457, ML-134458, & ML-134459).....	1
9	00-874634	Motor.....	1
10	SC-089-01	Cap Screw <sup>1</sup> / <sub>4</sub> -20 x <sup>1</sup> / <sub>2</sub> Hex Socket Hd.....	6
11	00-874755	Cover – Transmission .....	1
12	SC-118-11	Cap Screw <sup>3</sup> / <sub>8</sub> -16 x <sup>7</sup> / <sub>8</sub> Hex Hd.....	4
13	WS-018-24	Washer.....	4
14	00-874876	Plug – Cupped Expansion (Brass).....	1
15	00-874857	Plug.....	1
16	00-270776	Dowel.....	2
*17	00-917805-00002	Transmission Case – Lower (Low Voltage Only 100-120 V., 50-60 Hz., 1 Ph.) (ML-134455, ML-134456, ML-134457, ML-134458, & ML-134459).....	1
	00-917983	Shield – Mylar (Low Voltage Only 100-120 V., 50-60 Hz., 1 Ph.) (ML-134455, ML-134456, ML-134457, ML-134458, & ML-134459).....	1
	00-438131-00187	Label – Warning (Low Voltage Only 100-120 V., 50-60 Hz., 1 Ph.) (ML-134455, ML-134456, ML-134457, ML-134458, & ML-134459).....	1
	SD-039-23	Self-Tapping Screw 6-32 x <sup>1</sup> / <sub>4</sub> Hex Washer Hd. (Low Voltage Only 100-120 V., 50-60 Hz., 1 Ph.) (ML-134455, ML-134456, ML-134457, ML-134458, & ML-134459).....	2

\* Order transmission case 00-917805-00002 and bushing 00-916445 when replacing transmission case on all units except (ML-134455, ML-134456, ML-134457, ML-134458, & ML134459) (Low Voltage Only 100-120 V., 50-60 Hz., 1 Ph.).



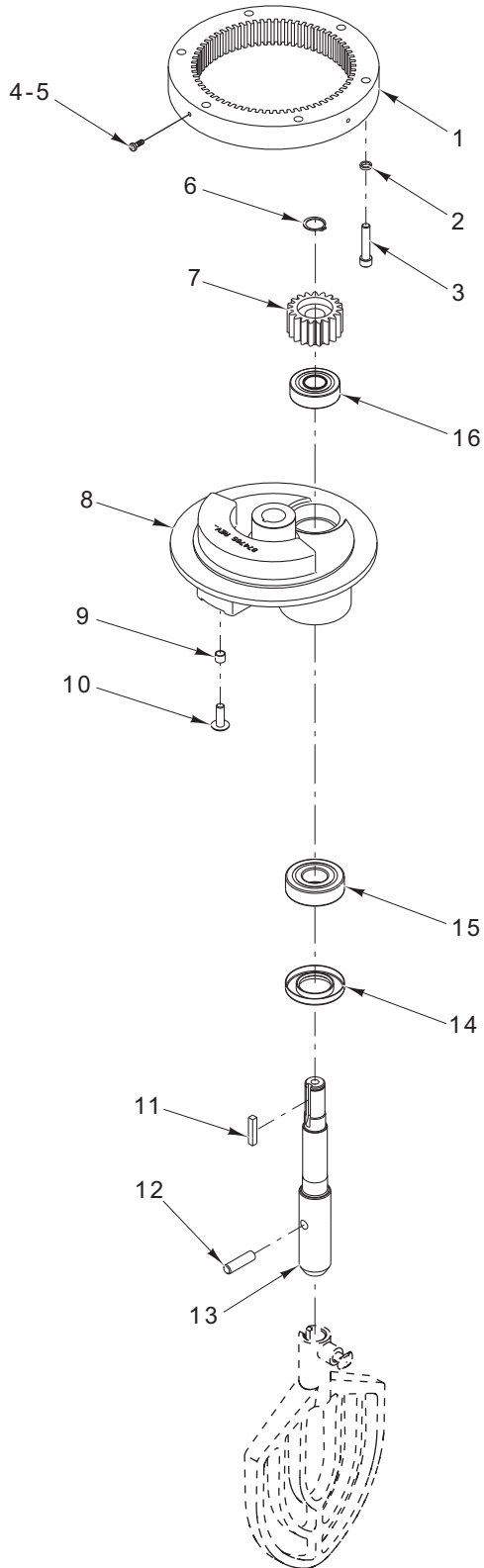
PL-59588

**TRANSMISSION**

**TRANSMISSION**

ILLUS.	PART NO.	NAME OF PART	AMT.
	PL-59588		
1	NS-032-37	Lock Nut <sup>5</sup> / <sub>8</sub> -18 Special .....	1
2	WS-031-41	Washer.....	1
3	SC-089-01	Cap Screw <sup>1</sup> / <sub>4</sub> -20 x <sup>1</sup> / <sub>2</sub> Hex Socket Hd.....	4
4	00-874787	Retainer – Planetary Bearing.....	1
5	00-874795	Gasket – Bearing .....	1
6	BB-005-34	Bearing – Ball .....	1
7	00-874793	Spacer – Planetary .....	1
8	00-124733-00002	Gear – Bevel (46T, 14P) .....	1
9	00-874635	Shaft – Planetary .....	1
10	00-874778	Gear (55T, 14P) .....	1
11	BB-020-06	Bearing – Ball Fafnir 204K.....	1
12	00-114695	Seal – Oil .....	1
13	00-437342	Spacer – Bearing .....	1
14	00-067500-00078	O-Ring .....	1
15	00-024715-00003	Acorn Nut <sup>1</sup> / <sub>2</sub> -20 .....	1
16	00-010928-00002	Nut .....	1
17	WS-030-83	Washer.....	1
18	00-124946	Washer <sup>1</sup> / <sub>32</sub> .....	1
19	00-012430-00017	Key <sup>1</sup> / <sub>8</sub> x <sup>1</sup> / <sub>8</sub> x 2 <sup>7</sup> / <sub>16</sub> .....	1
20	00-874873-00002	Key.....	1
21	00-874873-00001	Key.....	1
22	00-012430-00024	Key <sup>1</sup> / <sub>8</sub> x <sup>1</sup> / <sub>8</sub> x 1 <sup>1</sup> / <sub>2</sub> .....	1
23	BB-005-02	Bearing – Ball .....	1
24	00-874788	Retainer – Bearing.....	1
25	SC-089-01	Cap Screw <sup>1</sup> / <sub>4</sub> -20 x <sup>1</sup> / <sub>2</sub> Hex Socket Hd.....	3
26	WS-006-36	Washer.....	1
27	00-012710	Nut – Retaining .....	2
28	00-064871	Plug – Friction.....	1
29	WS-006-26	Washer.....	1
*30	00-916962	Spacer – Gear .....	1
31	00-917797	Gear – Worm (Low Voltage Only 100-120 V, 50-60 Hz., 1 Ph.) (ML-134455, ML-134456, ML-134457, ML-134458, & ML-134459).....	1
32	00-874934	Gear – Worm (Low Voltage Only 100-120 V, 50-60 Hz., 1 Ph.) (ML-134296, ML-134331, & ML-134289) .....	1
33	00-124751-00003	Worm Wheel & Bushing Assy. (HL120 Units Built Before Serial #311371184 and HL200 Units Built Before Serial #311370192).....	1
34	WS-010-36	Washer (HL120 Units Built Before Serial #311371184 and HL200 Units Built Before Serial #311370192).....	1
*35	00-916961	Shaft – Worm Wheel (ML-134455, ML-134456, ML-134457, ML-134458, & ML-134459).....	1
36	00-012430-00024	Key <sup>1</sup> / <sub>8</sub> x <sup>1</sup> / <sub>8</sub> x 1 <sup>1</sup> / <sub>2</sub> .....	1
37	00-874777	Gear (18T, 14P) .....	1
38	BB-005-01	Bearing – Ball .....	1
39	SL-002-08	Spring – Loading.....	1

\* Order shaft & worm wheel assembly 00-913102-00101 when replacing these parts on HL120 units built before serial #311371184, and HL200 units built before serial #311370192.



PL-59621

**PLANETARY (PREVIOUS CONSTRUCTION)**

**PLANETARY (PREVIOUS CONSTRUCTION)**

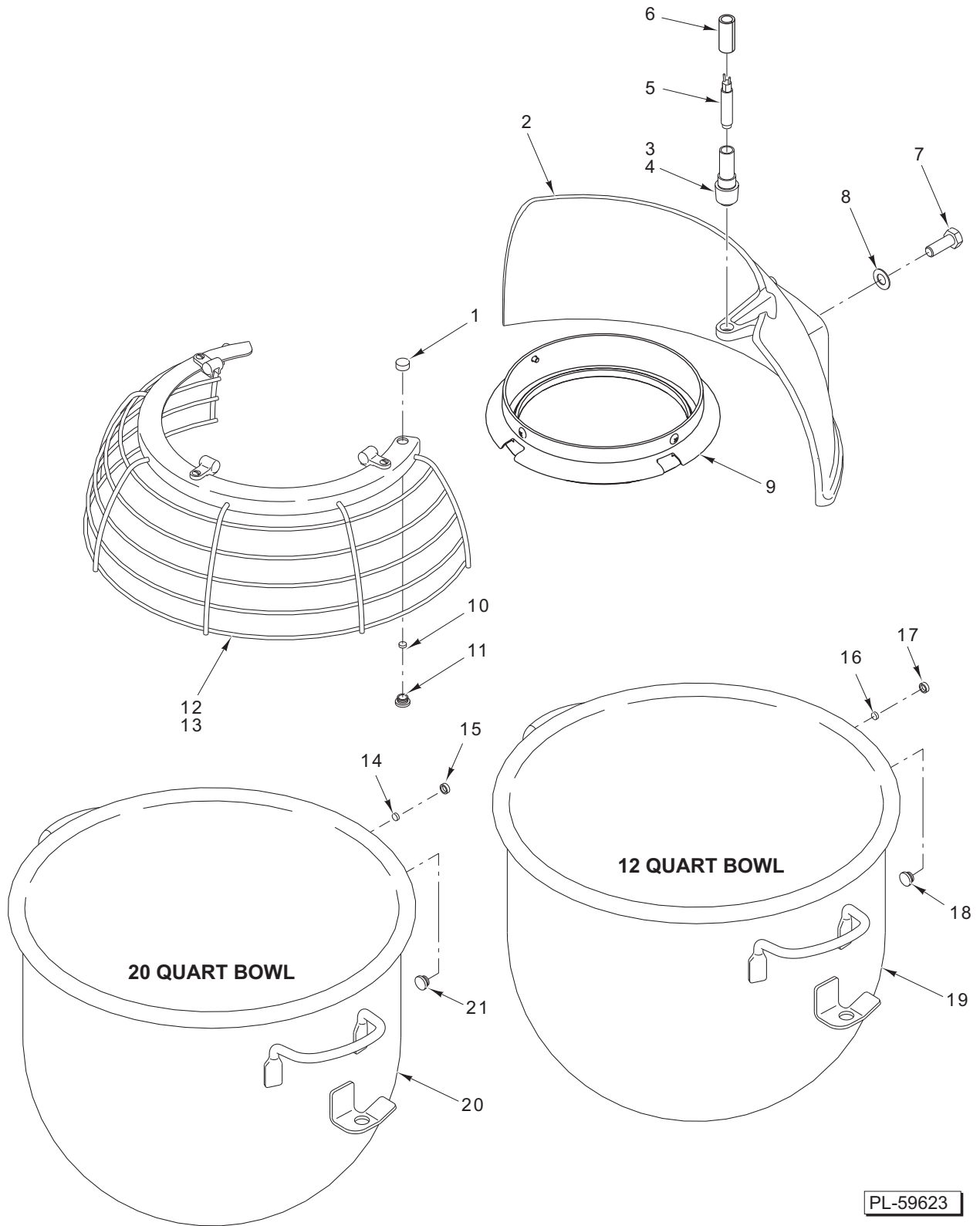
ILLUS.	PART NO.	NAME OF PART	AMT.
PL-59621			
1	00-438524-00002	Gear – Internal.....	1
2	WL-003-35	Lockwasher 1/4 Helical.....	6
3	SC-040-09	Cap Screw 1/4-20 x 1 1/4 Hex Socket Hd.....	6
4	SC-066-13	Mach. Screw 8-32 x 1/4 Phil. Truss Hd. (SST).....	3
5	SC-128-73	Mach. Screw 8-32 x 1/4 Tx. Button Hd. (SST) (ML-134456).....	3
6	RR-004-18	Ring – Retaining.....	1
7	00-015217	Pinion – Beater (19T).....	1
*8	-	Planetary.....	1
9	00-874770	Spacer Bowl Scraper.....	2
10	SC-053-46	Mach. Screw 1/4-20 x 3/4 Slotted Truss Hd. (SST).....	2
11	00-012430-00055	Key 3/16 X 3/16 x 1.....	1
12	00-065062-00001	Pin – Dowel.....	1
13	00-874739	Shaft – Agitator.....	1
14	00-023482	Seal – Grease 1 In. Dia. Shaft.....	1
15	BB-005-34	Bearing – Ball Hoover/NSK 6204 DDU.....	1
16	BB-018-17	Bearing – Ball Hoover/NSK 6203 DDU.....	1

\* For service order part number 00-916332.



**PLANETARY (CURRENT CONSTRUCTION)  
(UNITS BUILT ON OR AFTER SERIAL #31-1386989)**

ILLUS. PL-59582	PART NO.	NAME OF PART	AMT.
1	00-438524-00001	Gear – Internal.....	1
2	WL-003-35	Lockwasher 1/4 Helical.....	6
3	SC-040-09	Cap Screw 1/4-20 x 1 1/4 Hex Socket Hd. ....	6
4	SC-066-13	Mach. Screw 8-32 x 1/4 Phil. Truss Hd. (SST).....	3
5	SC-128-73	Mach. Screw 8-32 x 1/4 Tx. Button Hd. (SST) (ML-134456).....	3
6	00-916336	Plug – Friction (1 In. Dia.).....	1
7	RR-004-18	Ring – Retaining.....	1
8	00-916335	Pinion – Beater Shaft.....	1
9	00-916512	Seal – Upper Agitator Shaft.....	1
10	00-916333-00001	Planetary.....	1
11	00-874770	Spacer Bowl Scraper.....	2
12	SC-053-46	Mach. Screw 1/4-20 x 3/4 Slotted Truss Hd. (SST).....	2
13	00-012430-00055	Key 3/16 X 3/16 X 1.....	1
14	00-065062-00001	Pin – Dowel.....	1
15	00-916334	Shaft – Agitator.....	1
16	00-023482	Seal – Grease 1 In. Dia. Shaft.....	1
17	BB-005-34	Bearing – Ball Hoover/NSK 6204 DDU.....	1
18	BB-018-17	Bearing – Ball Hoover/NSK 6203 DDU.....	1
	00-916332	Planetary Subassy. (Incls. Items 6 thru 18).....	1



PL-59623

**BOWL AND BOWL GUARD**

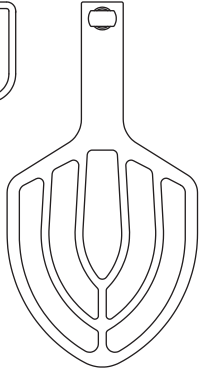


**BOWL AND BOWL GUARD**

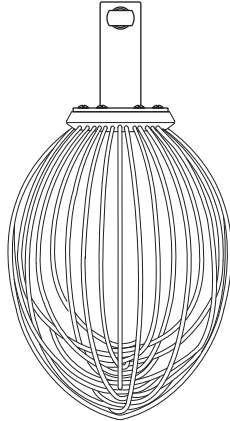
ILLUS.	PART NO.	NAME OF PART	AMT.
PL-59623			
1	00-917357	Holder – Magnet (Upper).....	1
2	00-917234	Guard – Splash.....	1
3	00-917232	Holder – Switch Reed.....	1
4	00-874839	Pin – Sensor.....	1
5	00-087711-00352	Switch – Reed.....	1
6	00-937354	Tube – Split.....	1
7	SC-118-18	Cap Screw 1/4-20 x 7/8 Hex Hd.....	2
8	WS-003-19	Washer.....	2
9	00-917272	Cup – Drip & Flange.....	1
10	00-874875	Magnet – Disc.....	1
11	00-917358	Holder – Magnet (Lower).....	1
12	00-937163-00001	Wire Cage Assy. (Incls. Items 9, 10, & 11).....	1
13	00-937163-00002	Wire Cage Assy. – Correctional (Incls. Items 9, 10, & 11) (ML-134456).....	1
14	00-874875	Magnet – Disc.....	1
15	00-917357	Holder – Magnet (Upper).....	1
16	00-874875	Magnet – Disc.....	1
17	00-917357	Holder – Magnet (Upper).....	1
18	00-917358	Holder – Magnet (Lower).....	1
19	00-874864	Bowl Assy. (12 Qt.) (SST) (Packaged) (Incls. Items 16, 17, & 18).....	1
20	00-917720	Bowl Assy. (20 Qt.) (SST) (Packaged) (Incls. Items 14, 15, & 21).....	1
21	00-917358	Holder – Magnet (Lower).....	1



1



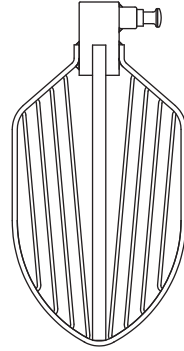
2



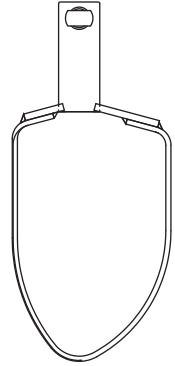
3



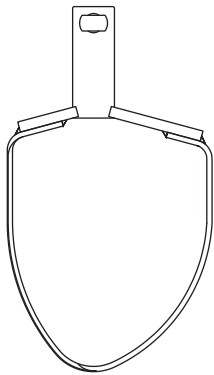
4



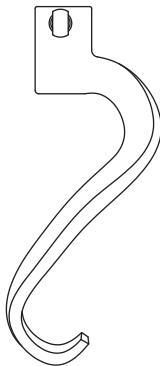
5



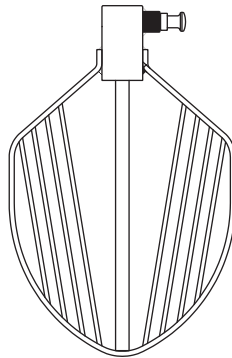
6



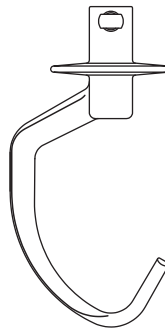
7



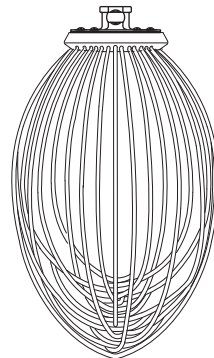
8



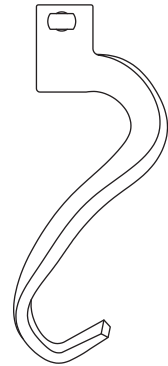
9



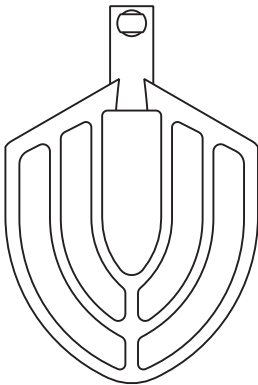
10



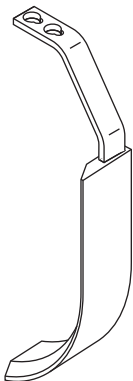
11



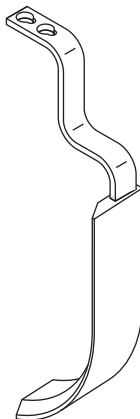
12



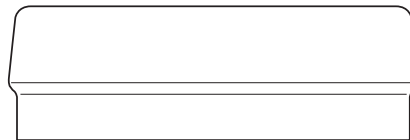
13



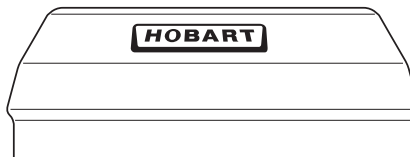
14



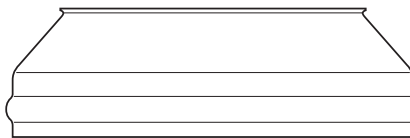
15



16



17



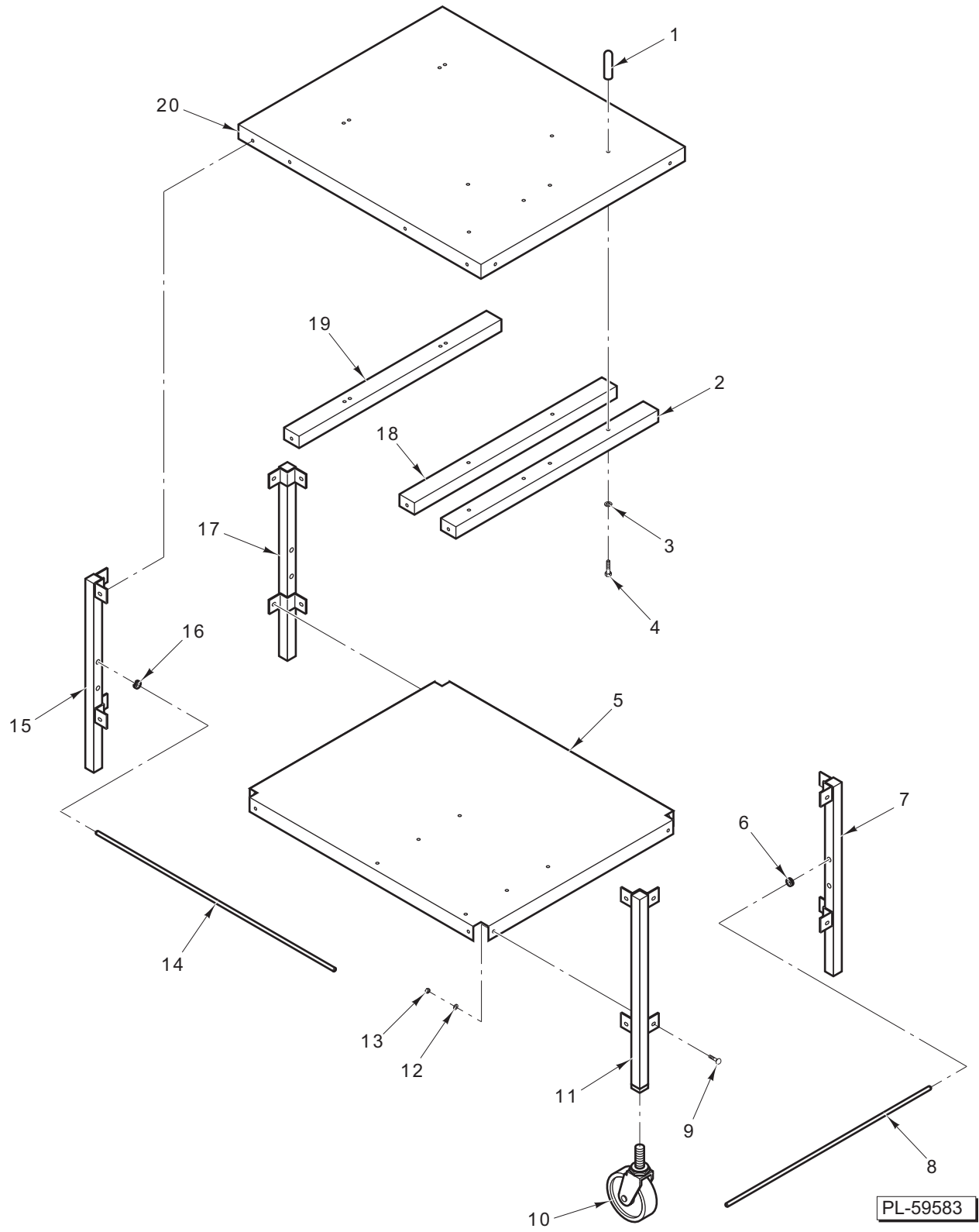
18

PL-59590

**AGITATORS AND ACCESSORIES**

**AGITATORS AND ACCESSORIES**

ILLUS.	PART NO.	NAME OF PART	AMT.
	<b>PL-59590</b>		
1	00-118801	Scraper – Bowl (Handheld).....	1
2	00-874828	“B” Beater (12 Qt.) (Packaged) (Incls. Item 1).....	1
3	00-873360	“D” Wire Whip (12 Qt.) (Packaged) (Incls. Item 1).....	1
4	00-873343	“ED” Dough Arm (12 Qt.) (Packaged) (Incls. Item 1).....	1
5	00-875893	“C” Whip (12 Qt.) (Packaged) (Incls. Item 1).....	1
6	00-873370	Pastry Knife (12 Qt.) (Packaged) (Incls. Item 1).....	1
7	00-873294	Pastry Knife (20 Qt.) (Packaged) (Incls. Item 1).....	1
8	00-873313	“EDA” Dough Arm (20 Qt.) (Packaged) (Incls. Item 1).....	1
9	00-873331	“C” Whip (20 Qt.) (Packaged) (Incls. Item 1).....	1
10	00-873335	“E” Dough Arm (20 Qt.) (Packaged) (Incls. Item 1).....	1
11	00-874792	“D” Wire Whip (20 Qt.) (Packaged) (Incls. Item 1).....	1
12	00-874791	“ED” Dough Arm (20 Qt.) (Packaged) (Incls. Item 1).....	1
13	00-874790	“B” Beater (20 Qt.) (Packaged) (Incls. Item 1).....	1
14	00-873373	Scraper (12 Qt.) (Packaged).....	1
15	00-874836	Scraper (20 Qt.) (Packaged).....	1
16	00-438078	Splash Cover (12 Qt.) (Packaged).....	1
17	00-438079	Splash Cover (20 Qt.) (Packaged).....	1
18	00-875677	Splash Cover (20 Qt.) (SST) (Packaged).....	1
	00-874885	Ingredient Chute (12 Qt.) (Packaged).....	1
	00-916684	Ingredient Chute (20 Qt.) (Packaged).....	1
	00-874899	Tray – Support (Packaged).....	1
	00-435636-00001	Scraper – Bowl.....	1

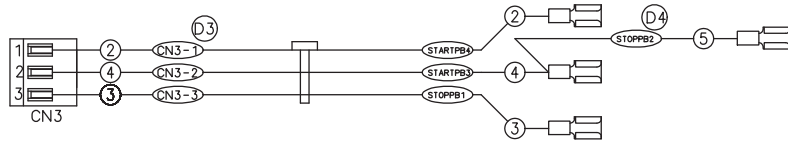


PL-59583

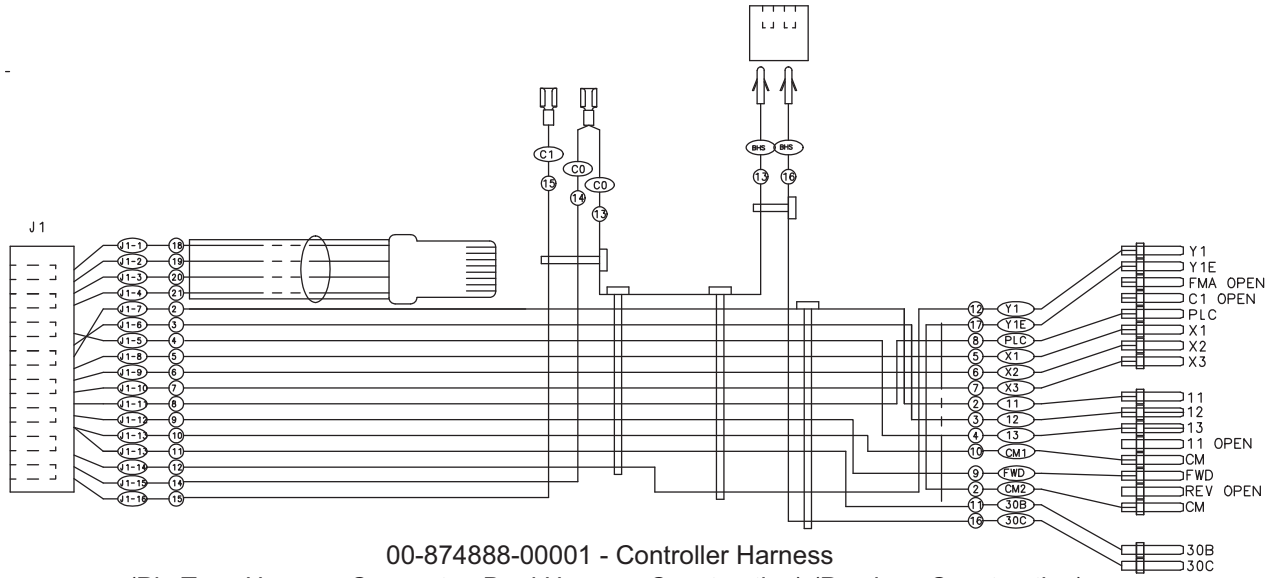
**MIXER TABLE (ML-134299)**

**MIXER TABLE (ML-134299)**

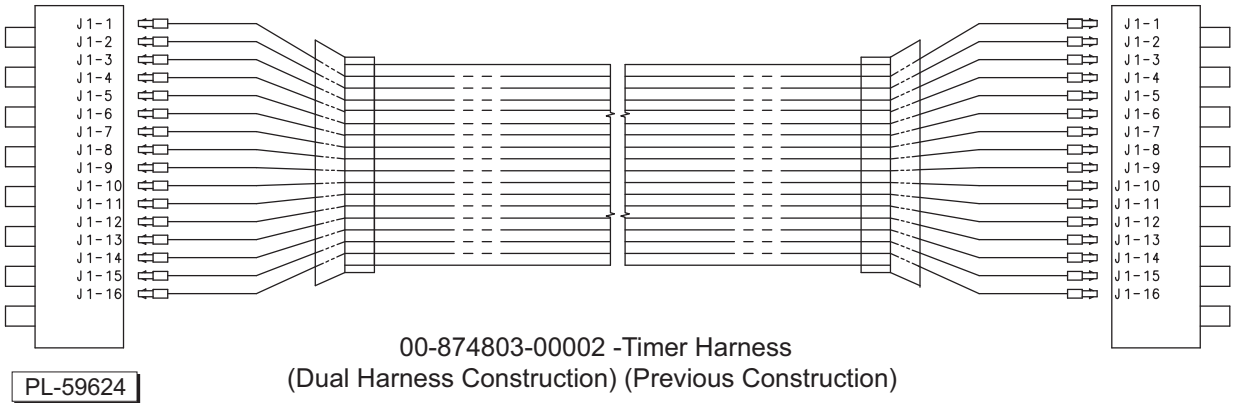
ILLUS. PL-59583	PART NO.	NAME OF PART	AMT.
1	00-124075	Post.....	4
2	00-124067	Support – Cross Top .....	1
3	WL-004-06	Lockwasher <sup>3</sup> / <sub>8</sub> Helical.....	8
4	SC-037-71	Cap Screw <sup>3</sup> / <sub>8</sub> -16 x <sup>3</sup> / <sub>4</sub> Hex Hd.....	8
5	00-123427	Shelf – Table .....	1
6	00-124076	Grommet.....	4
7	00-124073	Leg – Rear (LH).....	1
8	00-124074-00002	Rod (Short) .....	2
9	SC-094-26	Bolt <sup>1</sup> / <sub>4</sub> -20 x <sup>1</sup> / <sub>2</sub> Sq. Neck Rd. Hd. ....	22
10	00-205003	Caster – Locking.....	4
11	00-124070	Leg – Rear (RH) .....	1
12	WS-005-01	Washer.....	22
13	NS-013-02	Nut <sup>1</sup> / <sub>4</sub> -20 Hex .....	22
14	00-124074-00001	Rod (Long).....	4
15	00-124071	Leg – Front (RH).....	1
16	00-124076	Grommet.....	8
17	00-124072	Leg – Front (LH) .....	1
18	00-875983	Support – Cross Top .....	1
19	00-124069	Support – Cross Top .....	1
20	00-875982	Top .....	1



00-916566-00001 - Switch Harness

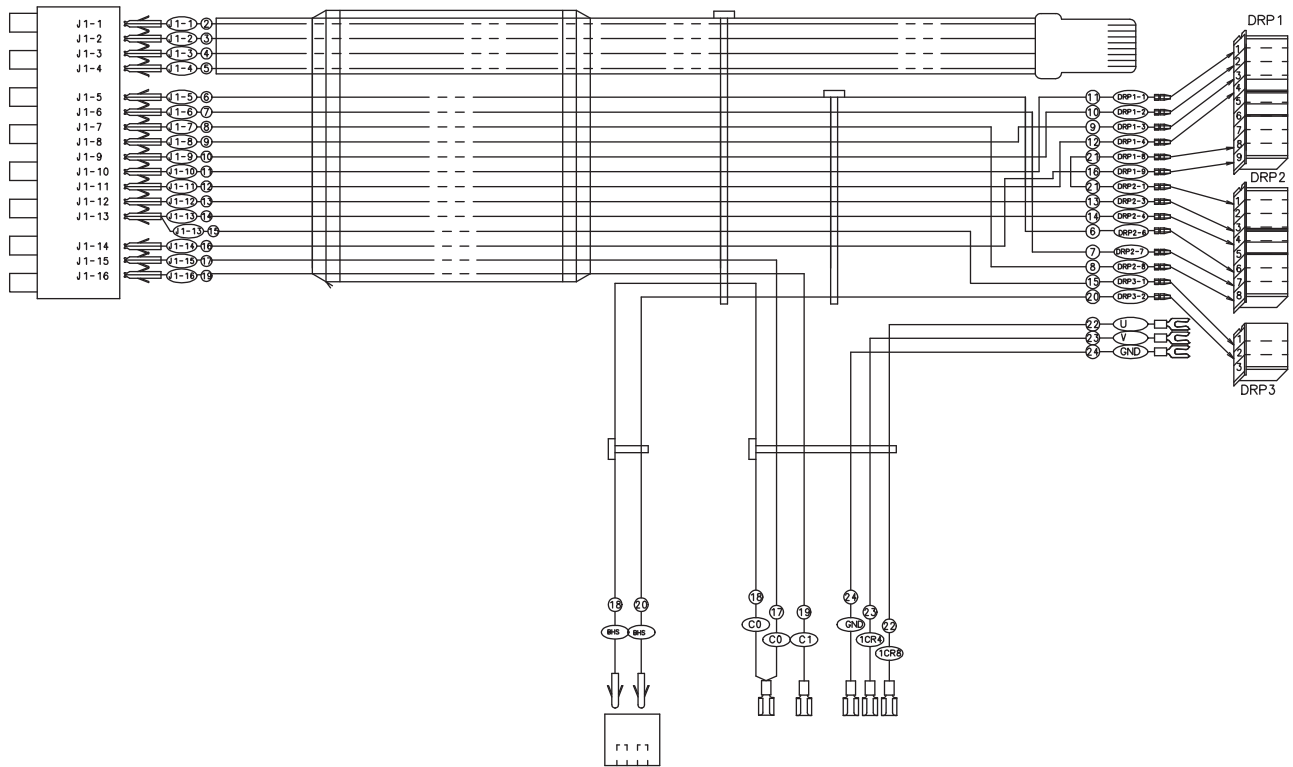
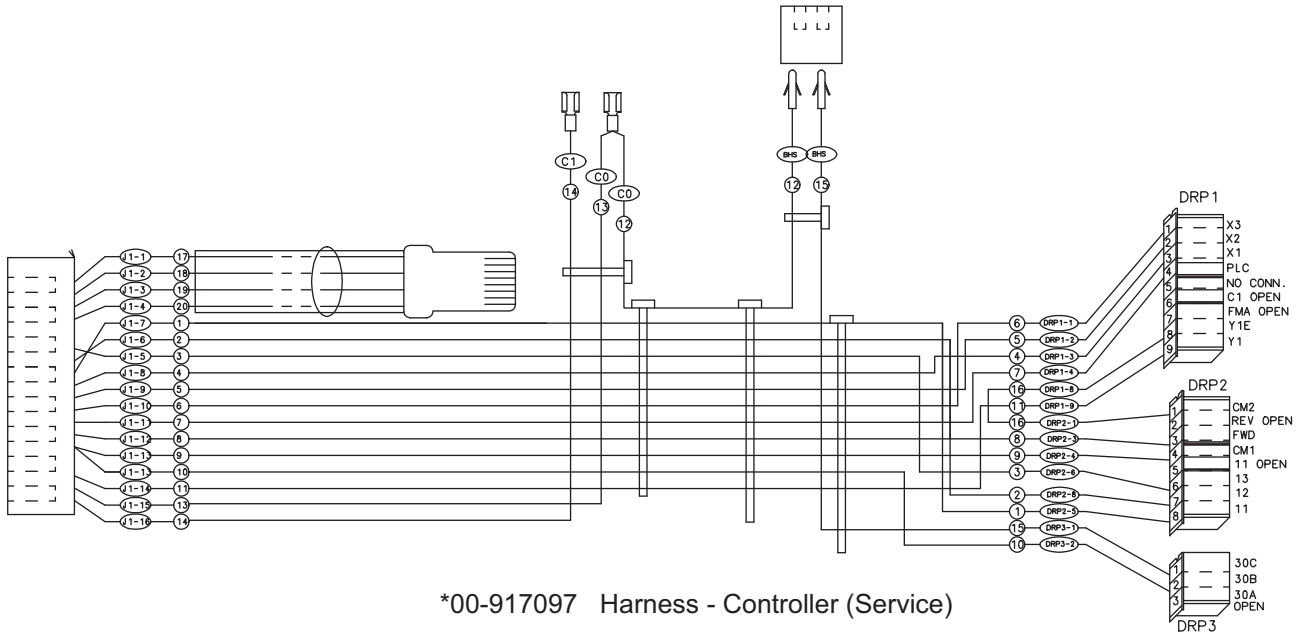


00-874888-00001 - Controller Harness  
(Pin Type Harness Connector, Dual Harness Construction) (Previous Construction)



00-874803-00002 -Timer Harness  
(Dual Harness Construction) (Previous Construction)

**WIRING HARNESS**



PL-59584

00-917132-00001 Harness - Main Wiring  
(Single Harness Construction) (Current Construction)

\* Use when replacing controller with pin-type connections with controller with plug-in style harness connectors (Dual Harness Construction).

**WIRING HARNESS**

