



CATALOG OF REPLACEMENT PARTS

MODELS H600 & L800 SERIES MIXERS

(INCLUDES MOTOR PARTS)



MANUAL BOWL LIFT

H600	ML-134148
H600C	ML-134151

L800	ML-134157
L800C	ML-134161

POWER BOWL LIFT

H600	ML-134150
L800	ML-134160

PRIOR MLS COVERED IN THIS MANUAL

MANUAL BOWL LIFT

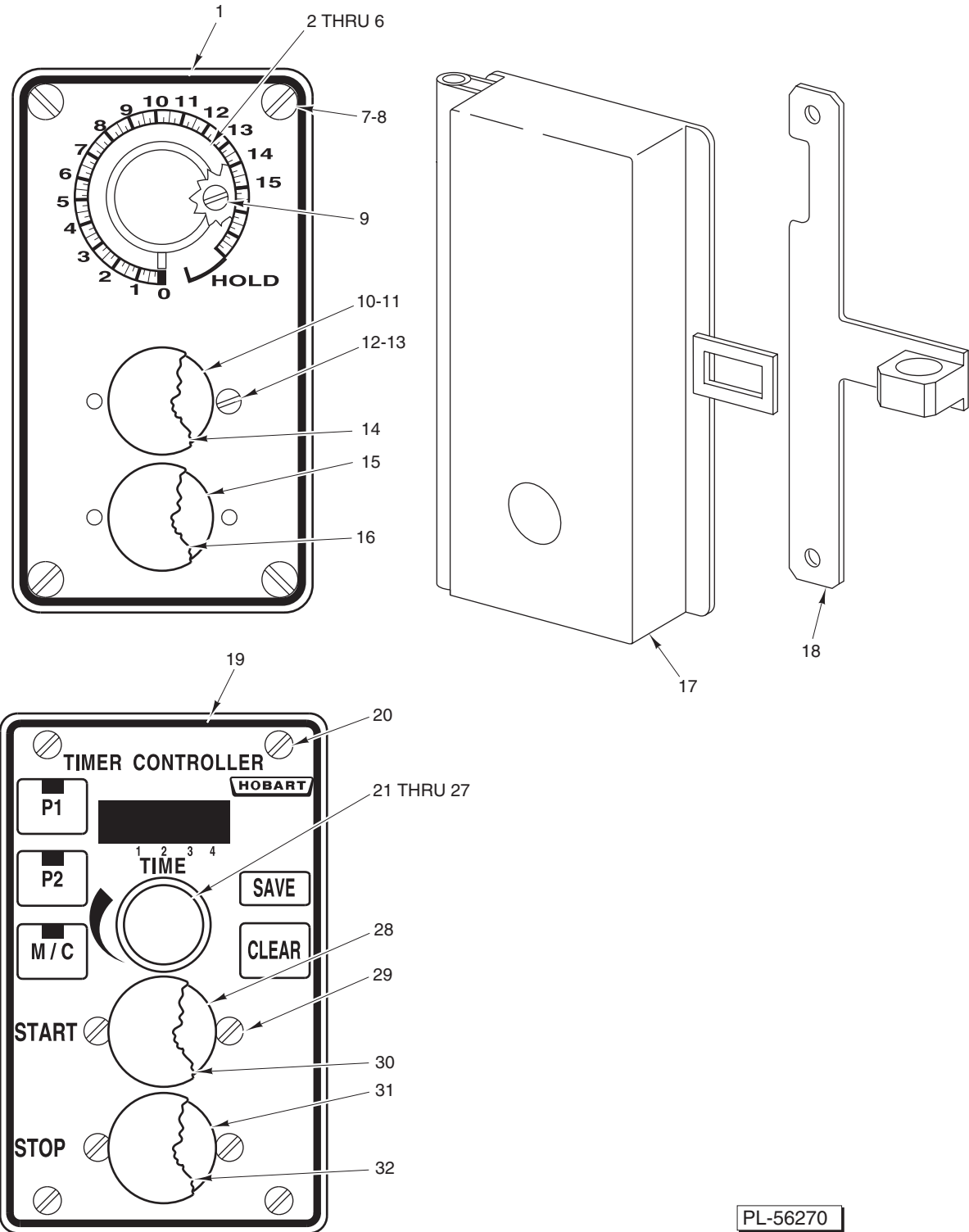
H600	ML-104383
H600D	ML-104241
H600C	ML-104557

L800	ML-104429
L800D	ML-104244
L800C	ML-104558

POWER BOWL LIFT

H600	ML-104384
H600D	ML-104242

L800	ML-104425
L800D	ML-104245



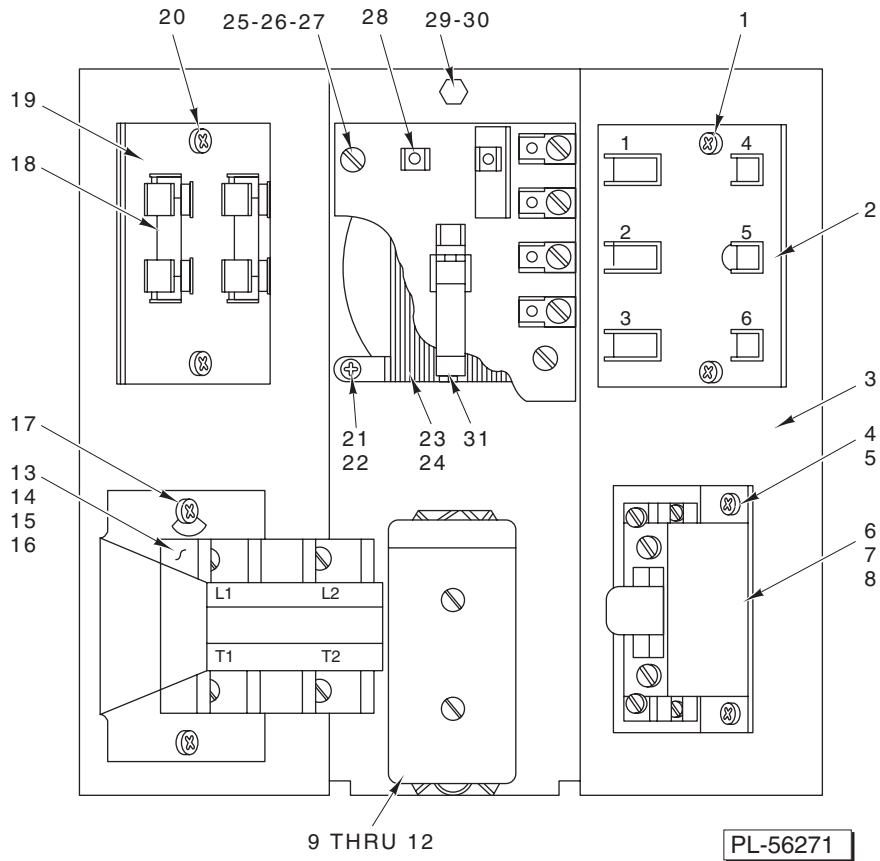
SWITCH PLATE AND TIMER UNIT

SWITCH PLATE AND TIMER UNIT

ILLUS.	PART NO.	NAME OF PART	AMT.
PL-56270			
1	00-291729	Plate – Switch	1
2	00-291748	Knob – Timer	1
3	00-294650-004-1	Timer Assy. (115 V., 60 Hz.)	1
4	00-294650-004-2	Timer Assy. (208-240 V., 60 Hz.)	1
5	00-294650-004-3	Timer Assy. (115 V., 50 Hz.)	1
6	00-294650-004-4	Timer Assy. (230 V., 50 Hz.)	1
7	00-123131	Self-Tapping Screw 8-32 x 3/8 Truss Hd., Taptite	4
8	SC-121-92	Mach. Screw 8-32 x 3/8 Hex Button Hd. (SST) (ML-104557 & ML-104558)	4
9	SC-013-07	Mach. Screw 5-40 x 1/4 Slotted Flat Hd.	2
10	00-087711-183-4	Switch – Push Button (N.O.)	1
11	00-291750	Insulator – Switch	1
12	SC-013-12	Mach. Screw 6-32 x 1/4 Slotted Flat Hd.	4
13	SC-121-89	Mach. Screw 6-32 x 1/4 Hex Flat Hd. (SST) (ML-104557 & ML-104558)	4
14	00-102467-00001	Cap – Push Button (Start) (Black)	1
15	00-087711-183-2	Switch – Push Button (N.C.)	1
16	00-102467-00002	Cap – Push Button (Stop) (Red)	1
17	00-437704	Cover Assy. (ML-104557 & ML-104558)	1
18	00-437705	Hasp Assy. (ML-104557 & ML-104558)	1
19	00-438322	Keypad & Plate	1
20	00-123131	Self-Tapping Screw 8-32 x 3/8 Truss Hd., Taptite	4
21	00-437775	Knob – Potentiometer	1
22	00-437742	Seal – Shaft	1
23	00-438499	Buzzer	1
24	WL-007-07	Lockwasher #8 External	1
25	NS-031-08	Nut – Stop Special 8-32 (SST)	1
26	00-439400-00001	Board Assy. (120 VAC)	1
27	00-439400-00002	Board Assy. (240 VAC)	1
28	00-087711-183-4	Switch – Push Button (N.O.)	1
29	SC-053-38	Mach. Screw 6-32 x 1/4 Slotted Truss Hd. (SST)	4
30	00-102467-00001	Cap – Push Button (Start) (Black)	1
31	00-087711-183-2	Switch – Stop (N.C.)	1
32	00-102467-00002	Cap – Push Button (Stop) (Red)	1
*	00-439102-00001	Timer Upgrade Kit (120 VAC)	1
*	00-439102-00002	Timer Upgrade Kit (240 VAC)	1
*	00-439102-00005	Timer Upgrade Kit (120 VAC) (Pizza Hut)	1
*	00-439102-00006	Timer Upgrade Kit (240 VAC) (Pizza Hut)	1

*The upgrade kit to add the electronic timer is available for installation on H600 and L800 mixers built since 1984, including the following ML numbers:

ML-33373	ML-33377	ML-33381	ML-33631	ML-33635	ML-38440	ML-33397	ML-33640
ML-33374	ML-33378	ML-33382	ML-33632	ML-33636	ML-33395	ML-33398	ML-33641
ML-33375	ML-33379	ML-33383	ML-33633	ML-33637	ML-33396	ML-33639	ML-33642
ML-33376	ML-33380		ML-33634	ML-33638			

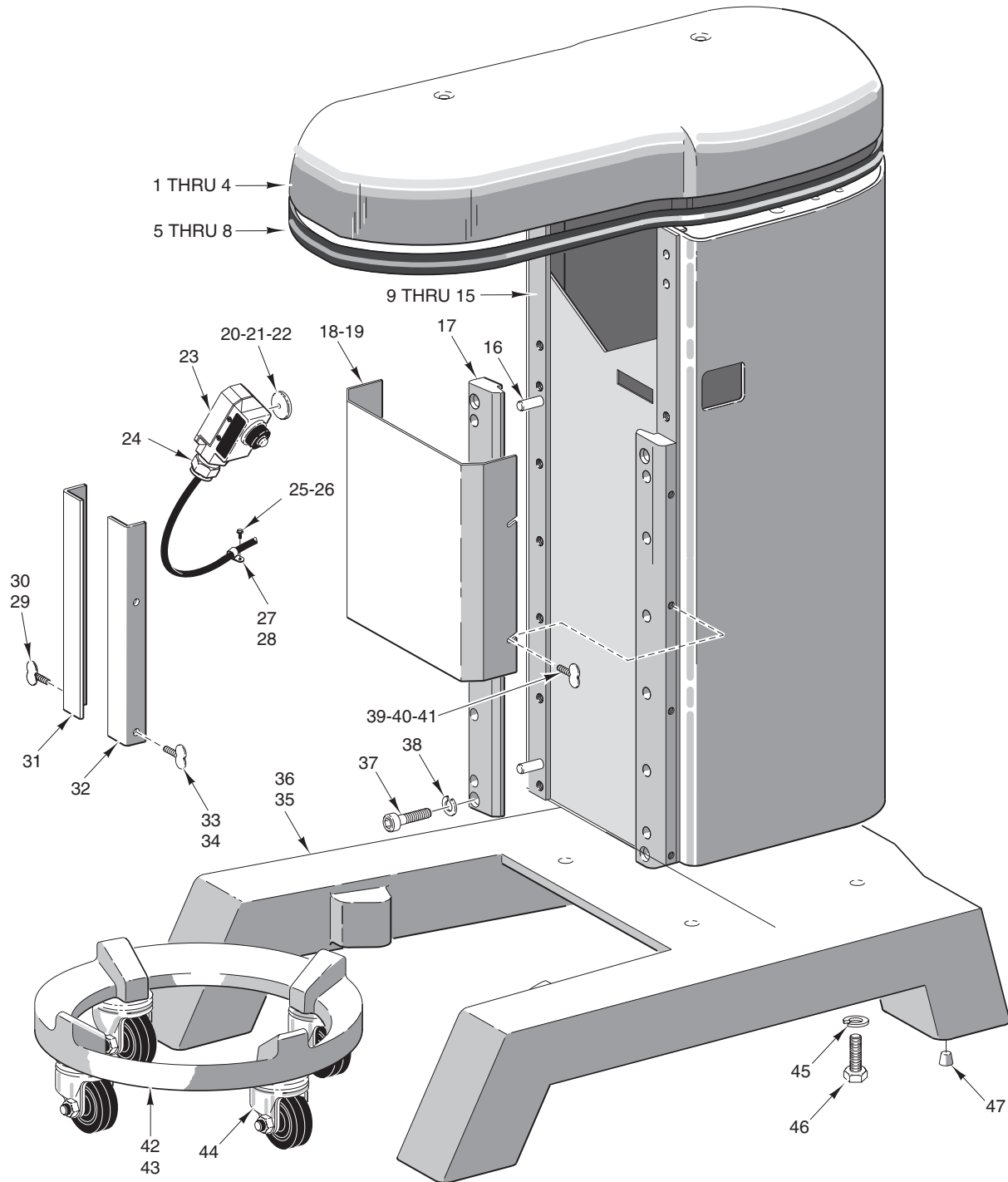


CONTROL PANEL UNIT

CONTROL PANEL UNIT

ILLUS.	PART NO.	NAME OF PART	AMT.
1	SD-015-20	Self-Tapping Screw 10-32 x 3/8 Phil. Pan Hd., Type TT	2
2	00-121014	Board – Terminal (3 Ph.)	1
3	00-121823	Panel – Control	1
4	SD-015-20	Self-Tapping Screw 10-32 x 3/8 Phil. Pan Hd., Type TT (1 Ph.)	2
5	SD-015-20	Self-Tapping Screw 10-32 x 3/8 Phil. Pan Hd., Type TT (3 Ph.)	4
6	00-088196-006-1	Relay – Thermal Overload (1 Ph.)	1
7	00-088196-005-1	Relay – Thermal Overload (3 Ph.)	1
8	*	Heater Element	AR
9	00-070487-00009	Capacitor (1 Ph. Motor)	1
10	00-070486-00003	End Cap – Capacitor	1
11	00-066621-00002	Bracket – Capacitor	1
12	SC-014-57	Mach. Screw 10-24 x 1/2 Slotted Flat Hd.	2
13	00-087713-037-2	Contacto (115 V. Coil) (2 Pole)	1
14	00-087713-037-1	Contacto (220 V. Coil) (2 Pole)	1
15	00-087713-101-2	Contacto Assy. (115 V. Coil) (3 Pole)	1
16	00-087713-101-1	Contacto Assy. (200-230 V. Coil) (3 Pole)	1
17	SD-015-20	Self-Tapping Screw 10-32 x 3/8 Phil Pan Hd., Type TT	2
18	FE-024-55	Fuse (5.6 Amp.) (Power Bowl Lift)	2
19	00-120924	Terminal Board Assy. (Power Bowl Lift)	1
20	SD-012-20	Self-Tapping Screw 8-32 x 1/2 Phil. Truss Hd., Type T (Power Bowl Lift)	2
21	SD-015-20	Self-Tapping Screw 10-32 x 3/8 Phil. Pan Hd., Type TT	2
22	WL-007-12	Lockwasher #10 External Shakeproof	2
23	00-120907-00001	Transformer (60 Hz.)	1
24	00-120908-00001	Transformer (50 Hz.)	1
25	SC-019-33	Mach. Screw 8-32 x 1/2 Slotted Bndg. Hd.	2
26	WL-007-07	Lockwasher #8 External Shakeproof	2
27	NS-009-12	Mach. Nut 8-32 Hex	2
28	00-114707	Terminal & Fuse Board (Use with Items 23 & 24)	1
29	SC-036-14	Cap Screw 1/4-20 x 1/2 Hex Hd.	1
30	WL-003-38	Lockwasher 1/4 Medium	1
31	FE-016-30	Fuse (2 Amp.) (Use with Items 23 & 24)	2

*Give Elec. Spec., Mach. Model, & Motor Type.

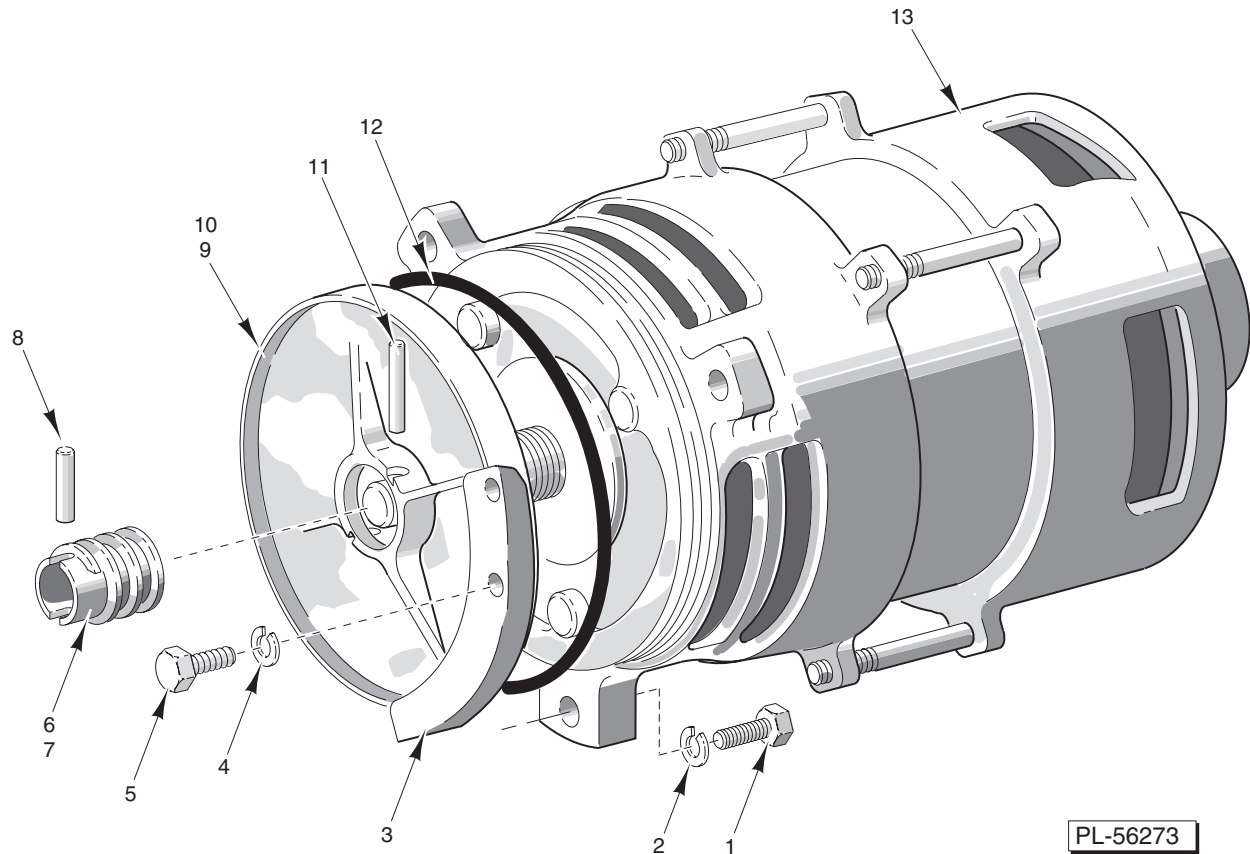


PL-56272

BASE AND PEDESTAL UNIT

BASE AND PEDESTAL UNIT

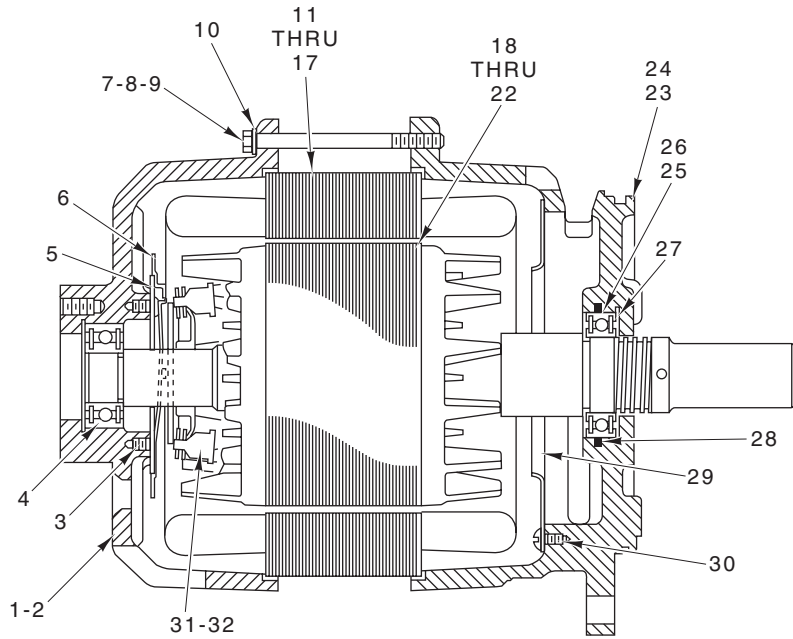
ILLUS.	PART NO.	NAME OF PART	AMT.
	PL-56272		
1	00-478571-00002	Top Cover Assy. (Incls. Items 6 & 7) (H600) (Painted) (Packaged)	1
2	00-478571-00003	Top Cover Assy. (Incls. Items 6 & 8) (L800) (Painted) (Packaged)	1
3	00-478571-00005	Top Cover Assy. (Incls. Item 5) (H600) (Deluxe) (Packaged)	1
4	00-478571-00006	Top Cover Assy. (Incls. Item 6) (L800) (Deluxe) (Packaged)	1
5	00-024781-00006	Seat – Top Cover (Deluxe)	1
6	00-123687-00002	Gasket (39 ³ / ₄ In.) (Painted)	1
7	00-123687-00003	Gasket (42 In.) (H600) (Painted)	1
8	00-123687-00004	Gasket (44 ³ / ₄ In.) (L800) (Painted)	1
9	00-121821-00009	Pedestal Assy. (Painted)	1
10	00-121821-00003	Pedestal Assy. Power Bowl Lift (Painted)	1
11	00-121821-00002	Pedestal Assy. (Deluxe)	1
12	00-121821-00004	Pedestal Assy. Power Bowl Lift (Deluxe)	1
13	00-118544-00001	Lug – Solderless	1
14	SD-029-02	Self-Tapping Screw 10-24 x 1/2 Slotted Pan Hd., Type F	1
15	WL-007-12	Lockwasher #10 External Shakeproof	1
16	00-011800-00143	Dowel	2
17	00-873885	Slideway – Pedestal	2
18	00-024260	Apron – Pedestal (L800)	1
19	00-438099	Apron – Pedestal (H600)	1
20	00-437441	Spacer – Mounting	2
21	SC-081-43	Mach. Screw 6-32 x 1 1/2 Slotted Rd. Hd.	2
22	WL-014-03	Lockwasher External #6	2
23	00-087711-060-1	Switch – Interlock (Incls. Item 22)	1
24	FE-022-84	Connector – Strain Relief	1
25	00-123109	Screw 6-32 x 3/8 Serrated Hd.	1
26	WS-023-15	Washer	1
27	00-078752-00012	Clamp – Cable 1/4 P	1
28	00-113703	Cable Tie	1
29	00-070641-00019	Thumb Screw	2
30	SC-121-34	Mach. Screw 10-24 x 1/2 Hex Button Hd. (SST) (ML-104557 & ML-104558)	2
31	00-068237	Cover – Left Slideway (Deluxe)	1
32	00-068236	Cover – Right Slideway (Deluxe)	1
33	00-070641-00019	Thumb Screw	2
34	SC-121-34	Mach. Screw 10-24 x 1/2 Hex Button Hd. (SST) (ML-104557 & ML-104558)	2
35	00-110222-00002	Base Assy. (Painted)	1
36	00-110231-00002	Base Assy. (Deluxe)	1
37	SC-092-62	Cap Screw 3/8-16 x 1 1/2 Soc. Fil. Hd.	12
38	WL-004-04	Lockwasher 3/8 Light	12
39	00-070641-00009	Thumb Screw (Painted)	4
40	00-070641-00019	Thumb Screw (Deluxe)	4
41	SC-121-34	Mach. Screw 10-24 x 1/2 Hex Button Hd. (SST) (ML-104557 & ML-104558)	4
42	00-315011	Bowl Truck Assy. (Incls. Item 44) (Painted) (Packaged)	1
43	00-315013	Bowl Truck Assy. (Incls. Item 44) (Deluxe) (Packaged)	1
44	00-087669-00001	Caster – Bowl Truck	4
45	WL-004-11	Lockwasher 1/2 Medium	4
46	SC-062-83	Cap Screw 1/2-13 x 1 1/2 Hex Hd.	4
47	00-116395	Plug – Base	AR
	00-315003	Adapter 60 Qt. to 40/30 Qt. – Bowl Truck (Packaged)	1
	00-477596	Feet Kit (SST)	1



PL-56273

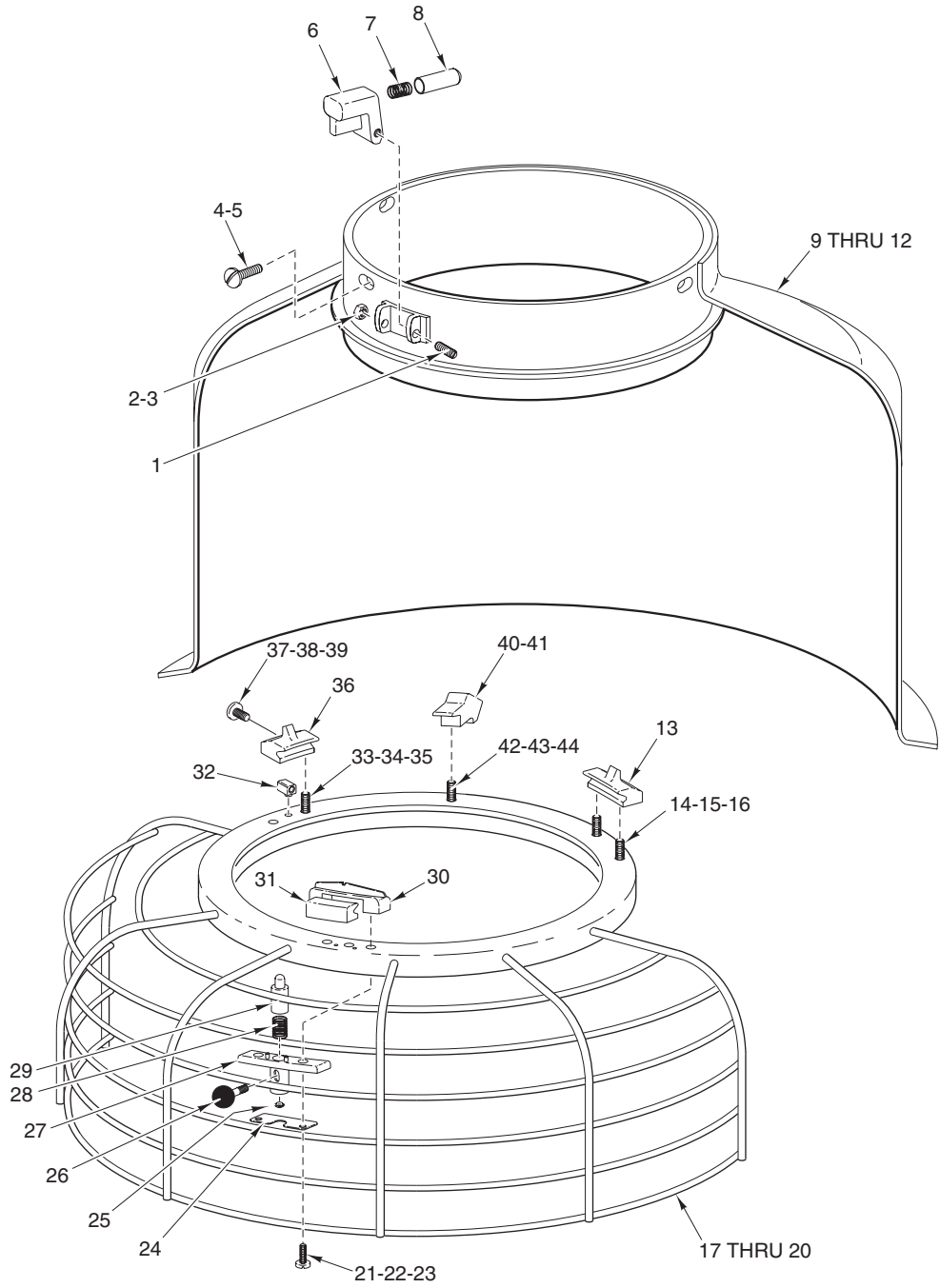
MOTOR

ILLUS.	PART NO.	NAME OF PART	AMT.
	1	SC-062-88 Cap Screw 1/2-13 x 1 1/4 Hex Hd.	3
	2	WL-004-11 Lockwasher 1/2 Light	3
	3	00-024610 Guide – Oil Flinger	1
	4	WL-003-43 Lockwasher 5/16 Light	2
	5	SC-036-28 Cap Screw 5/16-18 x 1 1/4 Hex Hd.	2
	6	00-024298 Worm – Drive (5T) (H600, 60 Hz.; L800, 50 Hz.)	1
	7	00-024291 Worm – Drive (5T) (H600, 50 Hz.)	1
	8	RP-002-06 Roll Pin 1/4 Dia. x 1 Lg. (H600, 50/60 Hz.; L800, 50 Hz.)	1
	9	00-291457-00001 Flinger and Hub Assy. (L800, 60 Hz.)	1
	10	00-291457-00002 Flinger and Hub Assy. (H600, 50/60 Hz.; L800, 50 Hz.)	1
	11	RP-002-28 Roll Pin 3/16 Dia. x 3/4 Lg.	1
	12	00-067500-00024 O-Ring – Bearing Bracket	1
13		Motor	
	00-120887-00002	H600 (115/230 V., 60 Hz., 1 Ph.)	1
	00-120887-00004	H600 (200 V., 60 Hz., 1 Ph.)	1
	00-120887-00006	H600 (115/220 V., 50 Hz., 1 Ph.) L800 (220 V., 50 Hz., 1 Ph.)	1
	00-120886-00002	H600 (230/460 V., 60 Hz., 3 Ph.)	1
	00-120886-00004	H600 (200 V., 60 Hz., 3 Ph.)	1
	00-120904-00002	H600, L800 (220/380 V., 50 Hz., 3 Ph.)	1
	ML-019330-000DP	L800 (200 V., 60 Hz., 1 Ph.)	1
	ML-019330-000DA	L800 (230 V., 60 Hz., 1 Ph.)	1
	ML-019330-000DN	L800 (200 V., 60 Hz., 3 Ph.)	1
	ML-019330-000DB	L800 (230/460 V., 60 Hz., 3 Ph.)	1
	ML-019330-000AG	L800 (550 V., 60 Hz., 3 Ph.)	1



MOTOR PARTS

ILLUS.	PART NO.	NAME OF PART	AMT.
PL-56274			
1	00-119537-00002	Bracket – Bearing (Switch End) (1 Ph.)	1
2	00-119537-00001	Bracket – Bearing (Switch End) (3 Ph.)	1
3	SC-009-49	Mach. Screw 6-32 x 3/8 Slotted Rd. Hd. (1 Ph.)	2
4	BB-016-23	Ball Bearing – Fafnir #W205PP	1
5	00-121111	Insulator – Switch (1 Ph.)	1
6	00-121110	Switch – Starting (Stationary Part) (1 Ph.)	1
7	SC-111-34	Cap Screw 1/4-20 x 4 Hex Hd. (60 Hz.) (1 Ph.)	4
8	SC-111-33	Cap Screw 1/4-20 x 3 1/2 Hex Hd. (3 Ph.)	4
9	SC-111-02	Cap Screw 1/4-20 x 4 1/2 Hex Hd. (50 Hz.) (H600) (1 Ph.)	4
10	WL-003-38	Lockwasher 1/4 Medium	4
11	00-065477-136-2	Stator Assy. (115/230 V., 60 Hz., 1 Ph.)	1
12	00-065477-136-6	Stator Assy. (115/220 V., 50 Hz., 1 Ph.)	1
13	00-065477-136-4	Stator Assy. (200/208 V., 60 Hz., 1 Ph.)	1
14	00-065478-130-3	Stator Assy. (200/400 V., 60 Hz., 3 Ph.)	1
15	00-065478-130-4	Stator Assy. (230/460 V., 60 Hz., 3 Ph.)	1
16	00-065478-131-2	Stator Assy. (220/380 V., 50 Hz., 3 Ph.)	1
17	00-065478-132-2	Stator Assy. (575 V., 60 Hz., 3 Ph.)	1
18	00-022275-00225	Rotor Assy. (H600, 60 Hz., 1 Ph.)	1
19	00-022275-00239	Rotor Assy. (L800, 60 Hz., 1 Ph.)	1
20	00-022275-00224	Rotor Assy. (H600 & L800, 50 Hz., 1 Ph.)	1
21	00-015747-00294	Rotor Assy. (H600 3 Ph. & L800 220/380 V., 50 Hz., 3 Ph.)	1
22	00-015747-00296	Rotor Assy. (L800 3 Ph. Except 220/380 V., 50 Hz., 3 Ph.)	1
23	00-274697-00002	Bracket – Bearing (Gear End) (H600 Series & L800 220/380 V., 50 Hz., 3 Ph.)	1
24	00-274697-00003	Bracket – Bearing (Gear End) (L800 Series Except 220/380 V., 50 Hz., 3 Ph.)	1
25	BB-017-26	Ball Bearing – NSK #6206 DDUCE (H600 Series & L800 220/380 V., 50 Hz., 3 Ph.)	1
26	BB-015-36	Ball Bearing – NSK #6007DDUCE (L800 Series Except 220/380 V., 50 Hz., 3 Ph.)	1
27	SL-003-10	Loading Spring – N.D. #62	1
28	OR-001-02	O-Ring (Quad)	1
29	00-120864	Baffle – Air	1
30	SC-009-79	Mach. Screw 6-32 x 5/16 Slotted Rd. Hd.	3
31	00-117549-00003	Actuator – Rotary (50 Hz., 1 Ph.)	1
32	00-117549-00002	Actuator – Rotary (60 Hz., 1 Ph.)	1

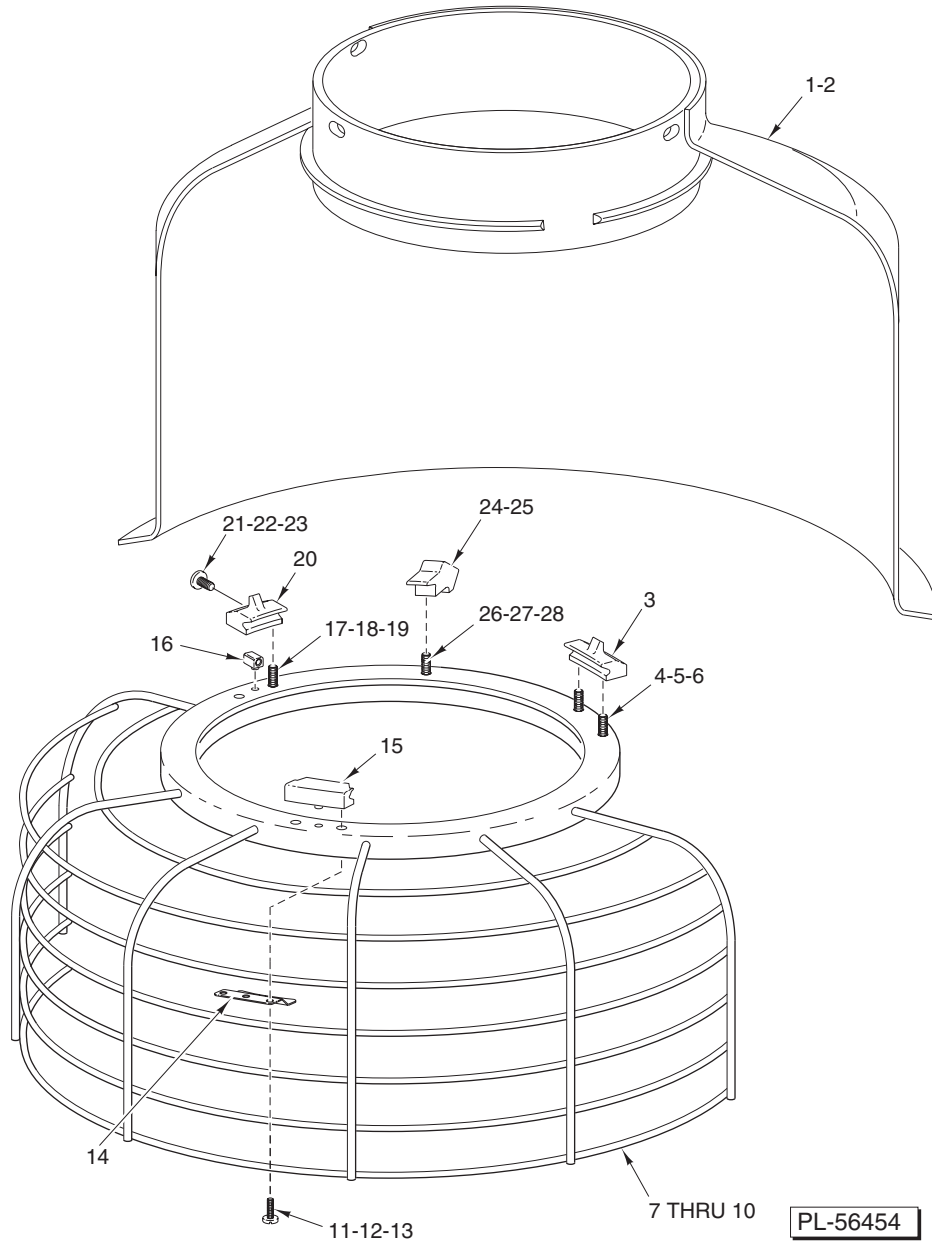


PL-56275

**BOWL GUARD UNIT
(PREVIOUS CONSTRUCTION)**

**BOWL GUARD UNIT
(PREVIOUS CONSTRUCTION)**

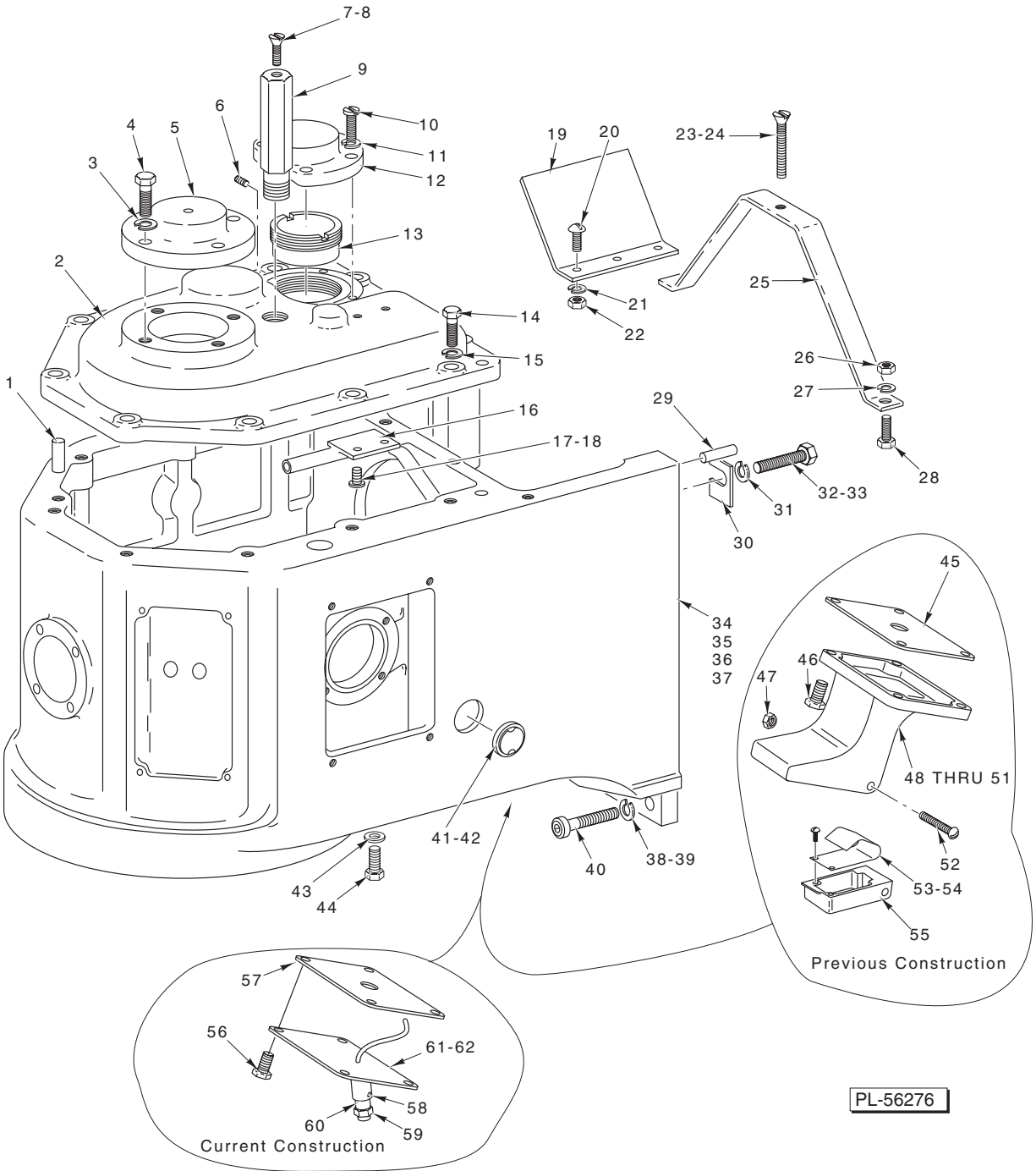
ILLUS. PL-56275	PART NO.	NAME OF PART	AMT.
1	00-478602	Shoulder Screw Slotted Hd.	1
2	NS-031-50	Stop Nut 6-32 Special (SST)	1
3	NS-011-07	Mach. Nut 6-32 Hex (SST) (ML-104557 & ML-104558)	1
4	SC-021-37	Mach. Screw 1/4-20 x 3/8 Slotted Rd. Hd. (SST)	3
5	SC-122-52	Mach. Screw 1/4-20 x 3/8 Hex Button Hd. (SST) (ML-104557 & ML-104558)	3
6	00-479010	Latch – Cage Detent	1
7	00-437446-00001	Spring – Cage Detent	1
8	00-437445	Plunger – Drip Cup	1
9	00-437450	Splash Guard Assy. (H600 Series) (Incls. Items 1, 2, 6, 7, & 8)	1
10	00-438253	Splash Guard Assy. (L800 Series) (Incls. Items 1, 2, 6, 7, & 8)	1
11	00-437450-00002	Splash Guard Assy. (H600C) (Incls. Items 1, 3, 6, 7, & 8)	1
12	00-438253-00002	Splash Guard Assy. (L800C) (Incls. Items 1, 3, 6, 7, & 8)	1
13	00-437433-00002	Shoe – Fixed	1
14	SC-122-45	Mach. Screw 1/4-20 x 3/8 Slotted Truss Hd. (SST)	2
15	SC-122-52	Mach. Screw 1/4-20 x 3/8 Hex Button Hd. (SST) (ML-104557 & ML-104558)	2
16	00-512987	Loctite 222	AR
17	00-438160	Wire Cage Assy. (H600) (Incls. Items 13, 14, 21, 24 thru 33, 36, 37, 40, & 42)	1
18	00-438251	Wire Cage Assy. (L800) (Incls. Items 13, 14, 21, 24 thru 33, 36, 37, 41, & 42)	1
19	00-438160-00002	Wire Cage Assy. (H600C) (Incls. Items 13, 15, 16, 22, 23, 25 thru 32, 34, 35, 36, 38, 39, 40, 43, & 44)	1
20	00-438251-00002	Wire Cage Assy. (L800C) (Incls. Items 13, 15, 16, 22 thru 32, 34, 35, 36, 38, 39, 41, 43, & 44)	1
21	SC-122-46	Mach. Screw 1/4-20 x 3/4 Slotted Truss Hd. (SST)	2
22	SC-122-68	Mach. Screw 1/4-20 x 3/4 Hex Button Hd. (SST) (ML-104557 & ML-104558)	2
23	00-512987	Loctite 222	AR
24	00-437691	Stop – Cage	1
25	00-438053	Plug – Plunger Housing	1
26	00-437436	Pin – Plunger	1
27	00-437447	Housing & Pin Assy.	1
28	00-437446-00002	Spring – Cage On/Off	1
29	00-437432	Plunger	1
30	00-437437-00002	Saddle – Shoe	1
31	00-437433-00001	Shoe – Saddle	1
32	00-437720	Key – Shoe	1
33	SC-122-45	Mach. Screw 1/4-20 x 3/8 Slotted Truss Hd. (SST)	2
34	SC-122-52	Mach. Screw 1/4-20 x 3/8 Hex Button Hd. (SST) (ML-104557 & ML-104558)	2
35	00-512987	Loctite 222	AR
36	00-437433-00003	Shoe – Adjustable	1
37	SC-123-07	Mach. Screw 8-32 x 1/2 Slotted Truss Hd. (SST)	1
38	SC-122-76	Mach. Screw 8-32 x 1/2 Hex Button Hd. (SST) (ML-104557 & ML-104558)	1
39	00-512987	Loctite 222	AR
40	00-437442	Retainer – Magnet (H600 Series)	1
41	00-438086	Retainer – Magnet (L800 Series)	1
42	SC-122-44	Mach. Screw 8-32 x 3/8 Slotted Truss Hd. (SST)	1
43	SC-121-92	Mach. Screw 8-32 x 3/8 Hex Button Hd. (SST) (ML-104557 & ML-104558)	1
44	00-512987	Loctite 222	AR
	00-479016	Splash Guard Kit (Incls. Items 1, 2, & 6)	1



**BOWL GUARD UNIT
(CURRENT CONSTRUCTION)**

**BOWL GUARD UNIT
(CURRENT CONSTRUCTION)**

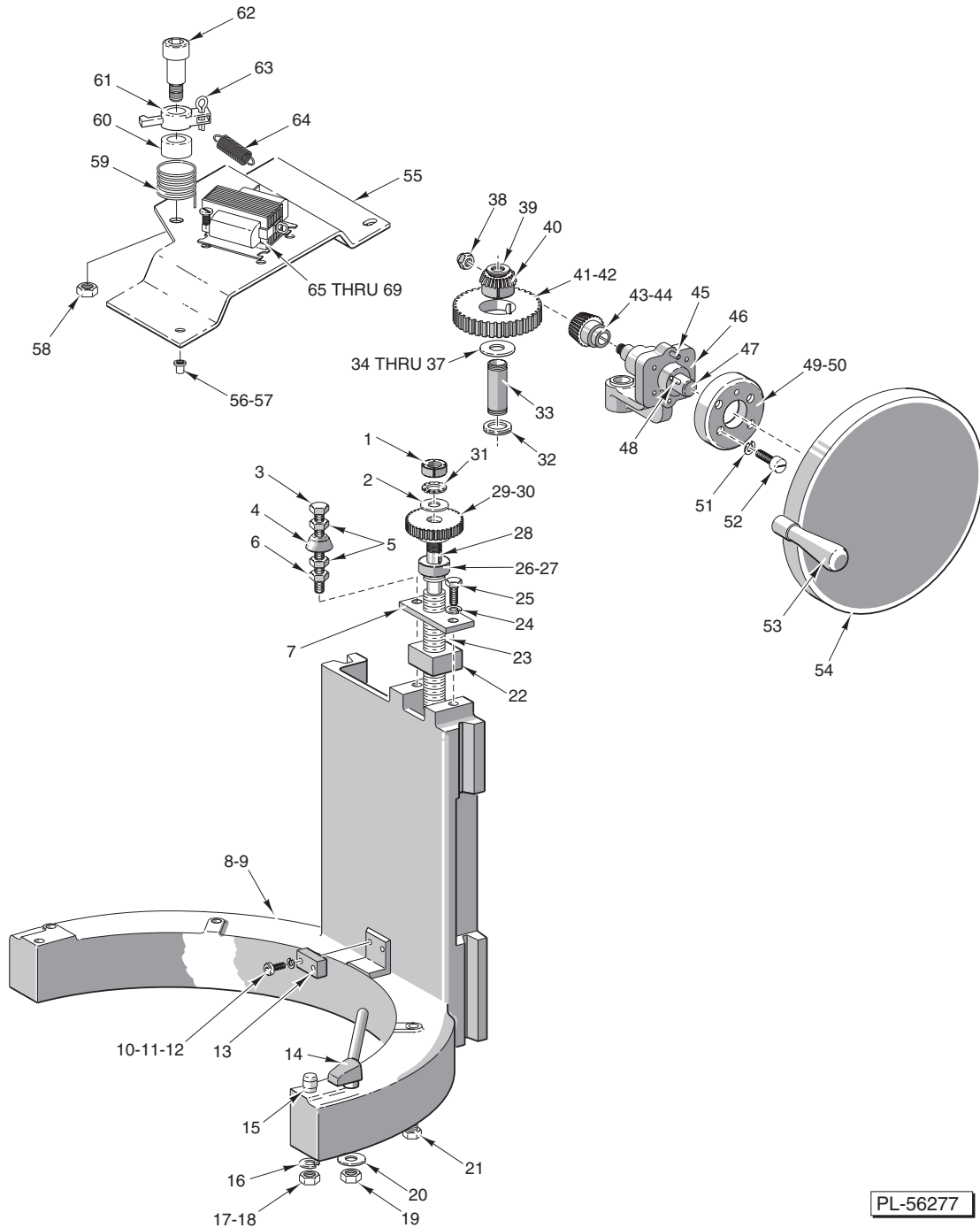
ILLUS. PL-56454	PART NO.	NAME OF PART	AMT.
1	00-874997	Splash Guard Assy. (H600)	1
2	00-874994	Splash Guard Assy. (L800)	1
3	00-437433-00002	Shoe – Fixed	2
4	SC-122-45	Mach. Screw 1/4-20 x 3/8 Slotted Truss Hd. (SST)	2
5	SC-122-52	Mach. Screw 1/4-20 x 3/8 Hex Button Hd. (SST) (ML-104557 & ML-104558)	2
6	00-512987	Loctite 222 (ML-104557 & ML-104558)	AR
7	00-874999-00001	Wire Cage Assy. (H600) (Incls. Items 3, 4, 11, 14 thru 17, 20, 21, 24, & 26)	1
8	00-874999-00002	Wire Cage Assy. (H600C) (Incls. Items 3, 5, 12 thru 16, 18, 19, 20, 22, 23, 27, & 28)	1
9	00-874992-00001	Wire Cage Assy. (L800) (Incls. Items 3, 4, 11, 14 thru 17, 20, 21, 25, & 26)	1
10	00-874992-00002	Wire Cage Assy. (L800C) (Incls. Items 3, 5, 6, 12 thru 16, 18, 19, 20, 22, 23, 25, 27, & 28) ..	1
11	SC-122-45	Mach. Screw 1/4-20 x 3/8 Slotted Truss Hd. (SST)	2
12	SC-122-52	Mach. Screw 1/4-20 x 3/8 Hex Button Hd., (SST) (ML-104557 & ML-104558)	2
13	00-512987	Loctite 222 (ML-104557 & ML-104558)	AR
14	00-874995	Stop – Cage	1
15	00-874126	Shoe – Front	1
16	00-437720	Key – Shoe	1
17	SC-122-45	Mach. Screw 1/4-20 x 3/8 Slotted Truss Hd. (SST)	2
18	SC-122-52	Mach. Screw 1/4-20 x 3/8 Hex Button Hd. (SST) (ML-104557 & ML-104558)	2
19	00-512987	Loctite 222 (ML-104557 & ML-104558)	AR
20	00-437433-00003	Shoe – Adjustable	1
21	SC-123-07	Mach. Screw 8-32 x 1/2 Slotted Truss Hd. (SST)	1
22	SC-122-76	Mach. Screw 8-32 x 1/2 Hex Button Hd. (SST) (ML-104557 & ML-104558)	1
23	00-512987	Loctite 222 (ML-104557 & ML-104558)	AR
24	00-437442	Retainer – Magnet (H600 Series)	1
25	00-438086	Retainer – Magnet (L800 Series)	1
26	SC-122-44	Mach. Screw 8-32 x 1/2 Slotted Truss Hd. (SST)	1
27	SC-122-92	Mach. Screw 8-32 x 1/2 Hex Button Hd. (SST) (ML-104557 & ML-104558)	1
28	00-512987	Loctite 222 (ML-104557 & ML-104558)	AR



TRANSMISSION CASE UNIT

TRANSMISSION CASE UNIT

ILLUS.	PART NO.	NAME OF PART	AMT.
PL-56276			
1	00-011800-00224	Dowel	2
2	00-024203	Cover – Transmission Case	1
3	WL-003-44	Lockwasher ⁵ / ₁₆ Medium	4
4	SC-036-28	Cap Screw ⁵ / ₁₆ -18 x 1 ¹ / ₄ Hex Hd.	4
5	00-024255	Retainer – Planetary Bearing	1
6	SC-047-70	Set Screw 10-32 x ³ / ₈ Soc. Hdls., Cup Pt.	2
7	SC-120-29	Mach. Screw ¹ / ₄ -20 x 1 Phil. Oval Hd.	1
8	SC-121-39	Mach. Screw ¹ / ₄ -20 x 2 Hex Flat Hd. (SST) (ML-104557 & ML-104558)	1
9	00-292642	Support – Top Cover Front	1
10	SC-038-05	Cap Screw ¹ / ₄ -20 x 1 Slotted Fil. Hd.	4
11	WL-003-37	Lockwasher ¹ / ₄ Medium	4
12	00-024256	Retainer – Upper Worm Shaft Bearing	1
13	00-024254	Sleeve – Worm Gear Adjusting	1
14	SC-062-48	Cap Screw ³ / ₈ -16 x 1 ¹ / ₈ Hex Hd.	10
15	WL-004-04	Lockwasher ³ / ₈ Light	10
16	00-024253	Oil Delivery Tube & Plate Assy.	1
17	SC-060-03	Mach. Screw 10-24 x ³ / ₄ Slotted Rd. Hd.	2
18	NS-032-01	Stop Nut 10-24 Flexloc	2
19	00-292409	Shield	1
20	SC-009-69	Mach. Screw 6-32 x ¹ / ₂ Rd. Hd.	2
21	WL-003-09	Lockwasher #6 Medium	2
22	NS-009-07	Mach. Nut 6-32 Hex	2
23	SC-120-30	Mach. Screw ¹ / ₄ -20 x ³ / ₄ Phil. Oval Hd.	2
24	SC-122-02	Mach. Screw ¹ / ₄ -20 x 2 Hex Flat Hd. (SST) (ML-104557 & ML-104558)	1
25	00-479523	Strap – Top Anchoring	1
26	NS-013-01	Hex Nut ¹ / ₄ -20	2
27	WL-003-37	Lockwasher ¹ / ₄ Medium	2
28	SC-036-04	Cap Screw ¹ / ₄ -20 x ³ / ₄ Slotted Hex Hd.	2
29	00-011800-00221	Dowel	1
30	00-068288	Shim (0.0179 In. Thk.)	AR
31	WL-004-11	Lockwasher ¹ / ₂ Medium	4
32	SC-062-66	Cap Screw ¹ / ₂ -13 x 1 ³ / ₄ Hex Hd.	2
33	SC-062-67	Cap Screw ¹ / ₂ -13 x 2 ¹ / ₄ Hex Hd.	2
34	00-120561-00002	Case – Transmission (H600 Series) (Painted)	1
35	00-120561-00006	Case – Transmission (H600 Series) (Deluxe)	1
36	00-120559-00002	Case – Transmission (L800 Series) (Painted)	1
37	00-120559-00006	Case – Transmission (L800 Series) (Deluxe)	1
38	WL-004-11	Lockwasher ¹ / ₂ Medium	2
39	WL-019-93	Lockwasher ¹ / ₂ High Collar	2
40	SC-040-36	Cap Screw ¹ / ₂ -13 x 1 ³ / ₄ Soc. Fil. Hd.	2
41	00-022793	Gauge – Oil Level	1
42	00-290488	Gasket – Oil Gauge	1
43	WS-021-21	Washer	1
44	SC-041-42	Cap Screw ¹ / ₂ -20 x 1 Hex Hd. (SST)	1
45	00-024665	Gasket – Transmission Case Cover Plate	1
46	SC-113-96	Mach. Screw 8-32 x ¹ / ₂ Hex Washer Hd.	4
47	NS-031-08	Stop Nut 8-32 Special (SST)	1
48	00-437448-00002	Housing – Reed Switch (H600 Series) (Painted)	1
49	00-437448-00003	Housing – Reed Switch (H600 Series) (Deluxe)	1
50	00-438063-00002	Housing – Reed Switch (L800 Series) (Painted)	1
51	00-438063-00003	Housing – Reed Switch (L800 Series) (Deluxe)	1
52	SC-116-66	Mach. Screw 8-32 x 2 Slotted Rd. Hd. (SST)	1
53	00-437435	Spring – Reed Switch	1
54	SC-018-50	Mach. Screw 6-32 x ¹ / ₄ Slotted Pan Hd.	2
55	00-087711-304-1	Switch – Reed	1
56	SC-113-96	Mach. Screw 8-32 x ¹ / ₂ Slotted Hex Washer Hd.	4
57	00-024665	Gasket – Transmission Case Cover Plate	1
58	SC-047-73	Set Screw 8-32 x ³ / ₁₆	1
59	00-087711-301-1	Switch Reed	1
60	00-874129	Plug – Extension, Reed Switch	1
61	00-874988-00001	Housing – Reed Switch (H600)	1
62	00-874988-00002	Housing – Reed Switch (L800)	1
	00-874986-00001	Reed Switch & Housing Assy. (H600)	1
	00-874987-00001	Reed Switch & Housing Assy. (L800)	1

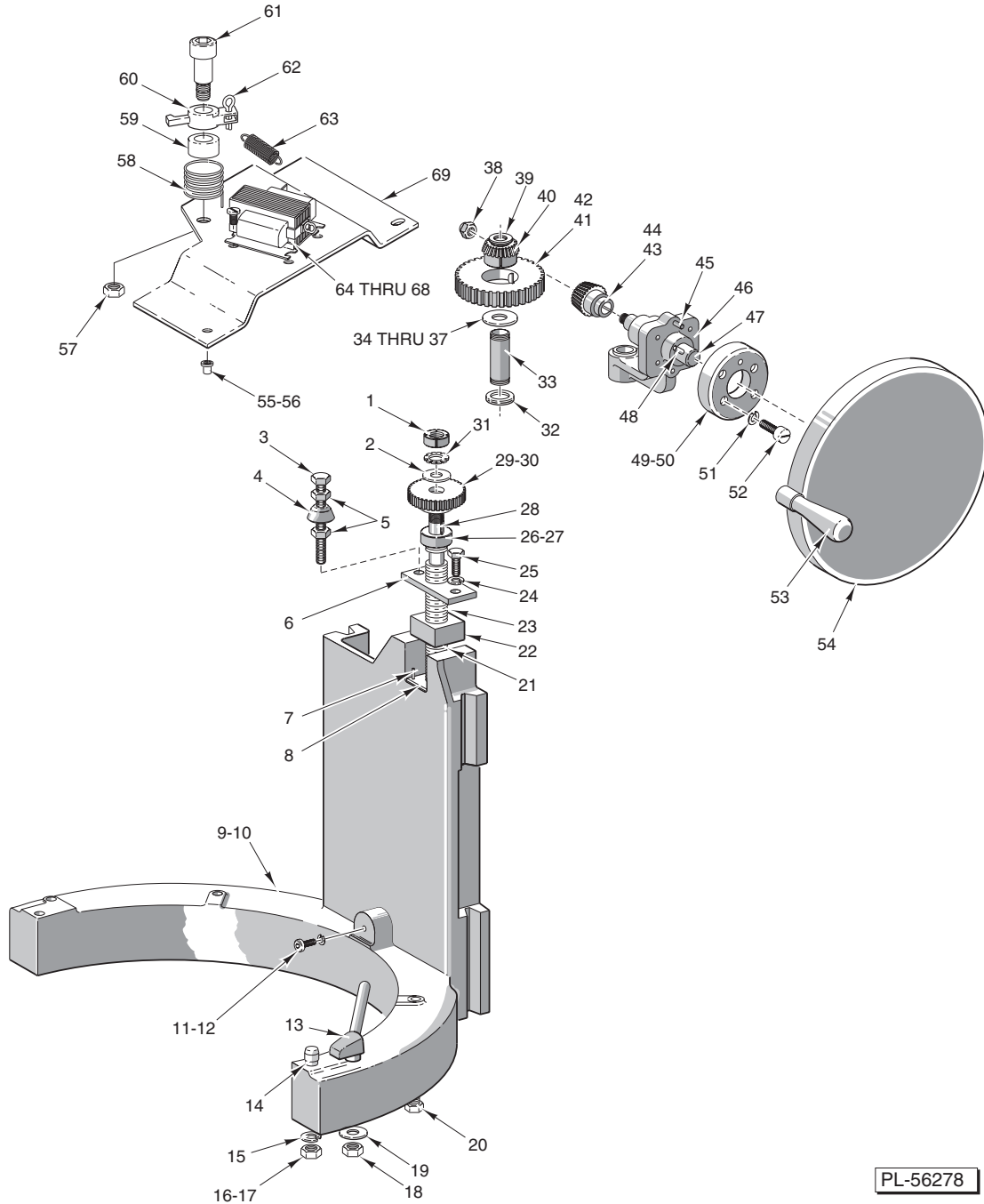


**BOWL SUPPORT AND LIFT UNIT
(H600 SERIES)**

ILLUS.	PART NO.	NAME OF PART	AMT.
PL-56277			
1	NS-034-04	Lock Nut N.D. #N-03	1
2	WS-010-17	Washer	1
3	SC-124-92	Cap Screw ³ / ₈ -16 x 3 ¹ / ₂ Hex Hd.	1
4	00-437430	Actuator – Bowl	1
5	NS-048-24	Stop Nut ³ / ₈ -16 ESNA	2
6	NS-017-16	Jam Nut ³ / ₈ -16 Hex	1
7	00-024201	Retainer – Bowl Lift Nut	1

BOWL SUPPORT AND LIFT UNIT (H600 SERIES) (CONT.)

ILLUS. PL-56277	PART NO.	NAME OF PART	AMT.
8	00-124685-00002	Support – Bowl	1
9	00-124685-00004	Support – Bowl (Deluxe)	1
10	SC-040-10	Cap Screw 1/4-20 x 3/4 Soc. Hex Hd. (Painted)	2
11	SC-040-68	Cap Screw 1/4-20 x 3/4 Soc. Fil. Hd. (Deluxe)	2
12	WL-003-35	Lockwasher 1/4 Helical	2
13	00-024296	Retainer – Bowl	1
14	00-065922-00019	Bowl Clamp (LH/RH)	2
15	00-120349	Stud – Bowl Locating	2
16	WL-004-11	Lockwasher 1/2 Light	2
17	NS-017-27	Jam Nut 1/2-13 Hex	2
18	NS-017-25	Jam Nut 1/2-13 Hex	2
19	NS-046-18	Lock Nut 5/8-11 Hex Nylok	2
20	00-064636	Washer – Bowl Clamp	2
21	SC-037-74	Cap Screw 3/8-16 x 1 1/2 Hex Hd.	1
22	00-024198	Nut – Bowl Lift Screw	1
23	00-290052-00001	Screw – Bowl Lift	1
24	WL-004-04	Lockwasher 3/8 Light	1
25	SC-118-11	Cap Screw 3/8-16 x 7/8 Hex Hd.	1
26	BB-005-30	Ball Bearing NSK #6203DDUCE	1
27	WS-010-17	Washer	1
28	00-012430-00043	Key 3/16 Sq. x 7/16 Lg.	1
29	00-024193	Gear – Bowl Lift Screw (31T)	1
30	WS-010-17	Washer	2
31	WL-012-04	Lockwasher N.D. #W-03	1
32	RR-005-02	Retaining Ring (Spirolox)	1
33	00-024194	Shaft – Miter Gear	1
34	00-024614-00003	Washer – Miter Gear Spacer (0.086 In. Thk.)	AR
35	00-024614-00004	Washer – Miter Gear Spacer (0.081 In. Thk.)	AR
36	00-024614-00005	Washer – Miter Gear Spacer (0.076 In. Thk.)	AR
37	00-024614-00006	Washer – Miter Gear Spacer (0.071 In. Thk.)	AR
38	NS-032-29	Stop Nut 1/2-20 Flexloc	1
39	RR-005-02	Retaining Ring (Spirolox)	1
40	00-024195-00002	Gear – Bowl Lift Miter (23T)	1
41	KW-003-03	Key – #404 Woodruff	1
42	00-024192	Gear – Bowl Lift Screw (41T)	1
43	00-024196-00002	Pinion – Bowl Lift Miter (23T)	1
44	00-012430-00041	Key 3/16 Sq. x 1 1/16 Lg.	1
45	RP-002-06	Roll Pin 1/4 Dia. x 1 Lg.	2
46	00-089684	Handwheel Bracket & Bearing Assy.	1
47	00-024191	Shaft – Hand Wheel	1
48	PG-007-19	Grooved Pin 1/4 x 2 3/4, Type E	1
49	00-024609-00003	Ring – Handwheel Brkt. Clamping (Deluxe)	1
50	00-024609-00001	Ring – Handwheel Brkt. Clamping	1
51	WL-003-48	Lockwasher 5/16 High Collar	4
52	SC-011-95	Mach. Screw 5/16-18 x 1 Slotted Fil. Hd.	4
53	00-024765	Handle – Bowl Lift Handwheel	1
54	00-435235	Handwheel & Handle Assy. (Incls. Item 53)	1
55	00-438414	Plate – Bowl Lock	1
56	00-120100	Nut – Vibration Mount	3
57	SC-037-87	Cap Screw 1/4-20 x 1 Hex Hd.	3
58	NS-048-24	Stop Nut Special 3/8-16 ESNA	1
59	00-438575	Spring – Torsion	1
60	00-438516	Spacer – Lever	1
61	00-438413-00002	Lever – Bowl Lock	1
62	SC-086-24	Shoulder Screw 3/8-16 x 1 1/2 Lg. Soc. Hex Hd.	1
63	PC-006-32	Cotter Pin	1
64	00-438494	Spring – Extension	1
65	00-438614-001-1	Solenoid (115 V. Coil)	1
66	00-438614-001-2	Solenoid (230 V. Coil)	1
67	00-438614-001-3	Solenoid (115/230 V. Coil)	1
68	SC-018-20	Mach. Screw 10-24 x 1/2 Slotted Pan Hd.	4
69	NS-032-01	Stop Nut 10-24 Flexloc	4

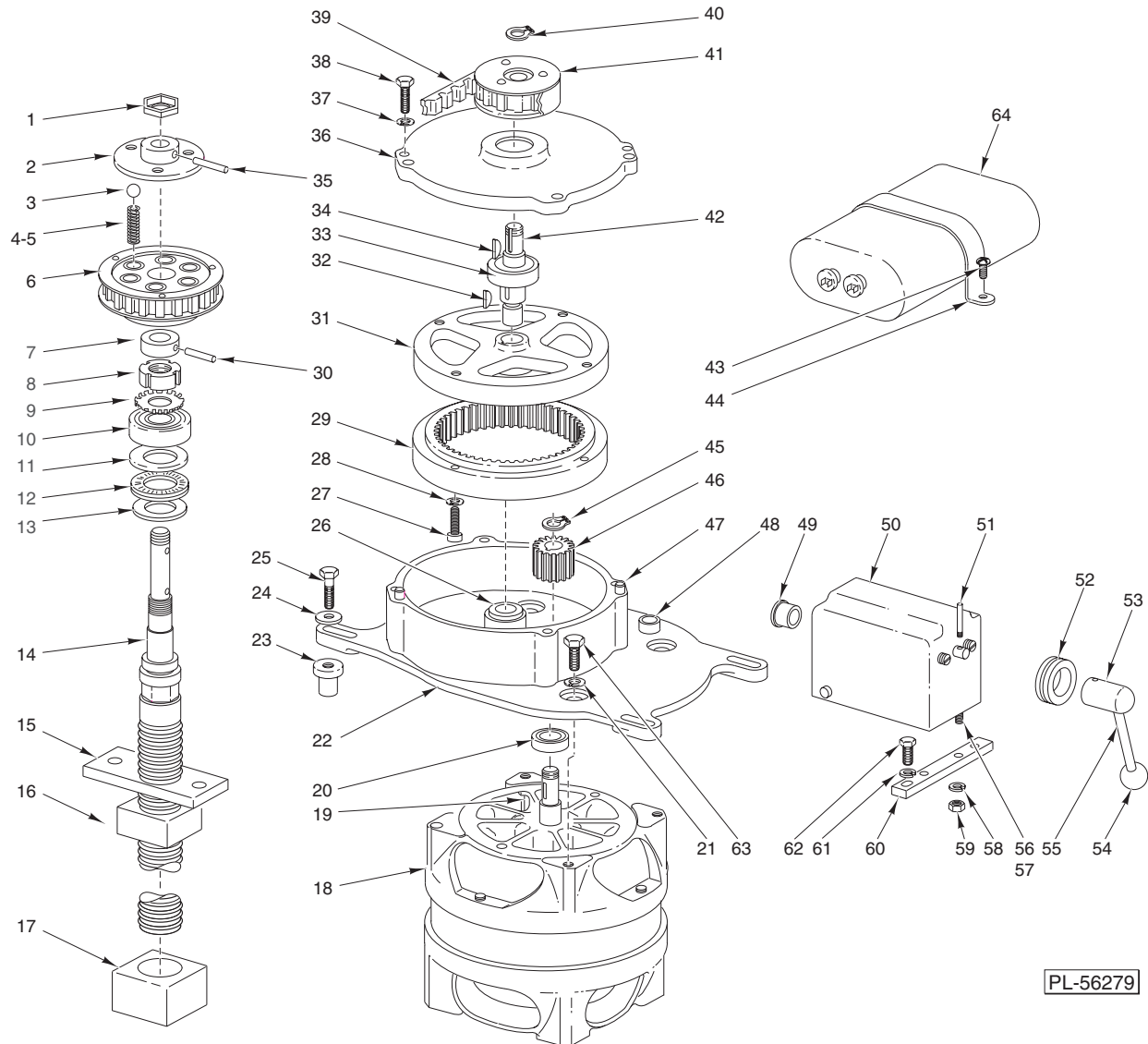


**BOWL SUPPORT AND LIFT UNIT
(L800 SERIES)**

ILLUS.	PART NO.	NAME OF PART	AMT.
PL-56278			
1	NS-034-04	Lock Nut N.D. #N-03	1
2	WS-010-17	Washer	1
3	SC-124-91	Cap Screw 3/8-16 x 2 1/2 Hex Hd.	1
4	00-437430	Actuator – Bowl	1
5	NS-017-16	Jam Nut 3/8-16 Hex	2
6	00-024201	Retainer – Bowl Lift Nut	1
7	RP-002-11	Roll Pin 3/16 Dia. x 1/2 Lg.	2

**BOWL SUPPORT AND LIFT UNIT
(L800 SERIES) (CONT.)**

ILLUS.	PART NO.	NAME OF PART	AMT.
	PL-56278		
8	00-024617	Seat – Bowl Support Stop Spring	1
9	00-122889-00004	Support – Bowl (Painted)	1
10	00-122889-00006	Support – Bowl (Deluxe)	1
11	00-024507-00002	Special Screw 1/2-13 x 1 1/4 Soc. Hd.	1
12	WL-004-14	Lockwasher 1/2 High Collar	1
13	00-065922-00020	Bowl Clamp (LH/RH)	2
14	00-120350	Stud – Bowl Locating	2
15	WL-004-11	Lockwasher 1/2 Light	2
16	NS-017-27	Jam Nut 1/2-13 Hex (Painted)	2
17	NS-017-25	Jam Nut 1/2-13 Hex (Deluxe)	2
18	NS-046-18	Lock Nut 5/8-11 Hex Nylok	2
19	00-064636	Washer – Bowl Clamp	2
20	SC-037-74	Cap Screw 3/8-16 x 1 1/2 Hex Hd.	1
21	00-024618	Spring – Bowl Support Stop	1
22	00-024198	Nut – Bowl Lift Screw	1
23	00-290052-00001	Screw – Bowl Lift	1
24	WL-004-11	Lockwasher 1/2 Light	1
25	SC-118-11	Cap Screw 3/8-16 x 7/8 Hex Hd.	1
26	BB-005-30	Ball Bearing N.D. #Z 99503	1
27	WS-010-17	Washer	1
28	00-012430-00043	Key 3/16 Sq. x 7/16 Lg.	1
29	00-024193	Gear – Bowl Lift Screw (31T)	1
30	WS-010-17	Washer	2
31	WL-012-04	Lockwasher N.D. #W-03	1
32	RR-005-02	Retaining Ring (Spirolox)	1
33	00-024194	Shaft – Miter Gear	1
34	00-024614-00003	Washer – Miter Gear Spacer (0.086 In. Thk.)	AR
35	00-024614-00004	Washer – Miter Gear Spacer (0.081 In. Thk.)	AR
36	00-024614-00005	Washer – Miter Gear Spacer (0.076 In. Thk.)	AR
37	00-024614-00006	Washer – Miter Gear Spacer (0.071 In. Thk.)	AR
38	NS-032-29	Stop Nut 1/2-20 Flexloc	1
39	RR-005-02	Retaining Ring (Spirolox)	1
40	00-024195-00002	Gear – Bowl Lift Miter (23T)	1
41	KW-003-03	Key – #404 Woodruff	1
42	00-024192	Gear – Bowl Lift Screw (41T)	1
43	00-024196-00002	Pinion – Bowl Lift Miter (23T)	1
44	00-012430-00041	Key 3/16 Sq. x 1 1/16 Lg.	1
45	RP-002-06	Roll Pin 1/4 Dia. x 1 Lg.	2
46	00-089684	Handwheel Bracket & Bearing Assy.	1
47	00-024191	Shaft – Hand Wheel	1
48	PG-007-19	Grooved Pin 1/4 x 2 3/4, Type E	1
49	00-024609-00001	Ring – Handwheel Brkt. Clamping	1
50	00-024609-00003	Ring – Handwheel Brkt. Clamping (Deluxe)	1
51	WL-003-48	Lockwasher 5/16 High Collar	4
52	SC-011-95	Mach. Screw 5/16-18 x 1 Slotted Fil. Hd.	4
53	00-024765	Handle – Bowl Lift Handwheel	1
54	00-078182	Handwheel & Handle Assy. (Incls. Item 53)	1
55	00-120100	Nut – Vibration Mount	3
56	SC-037-87	Cap Screw 1/4-20 x 1 Hex Hd.	3
57	NS-048-24	Stop Nut 3/8-16	1
58	00-438575	Spring – Torsion	1
59	00-438516	Spacer – Lever	1
60	00-438413-00002	Lever – Bowl Lock	1
61	SC-086-24	Shoulder Screw 3/8-16 x 1 1/2 Lg. Soc. Hex Hd.	1
62	PC-006-32	Cotter Pin	1
63	00-438494	Spring – Extension	1
64	00-438614-001-1	Solenoid (115 V. Coil)	1
65	00-438614-001-2	Solenoid (230 V. Coil)	1
66	00-438614-001-3	Solenoid (115/230 V. Coil)	1
67	SC-018-20	Mach. Screw 10-24 x 1/2 Slotted Pan Hd.	4
68	NS-032-01	Stop Nut 10-24 Flexloc	4
69	00-438414	Plate – Bowl Lock	1

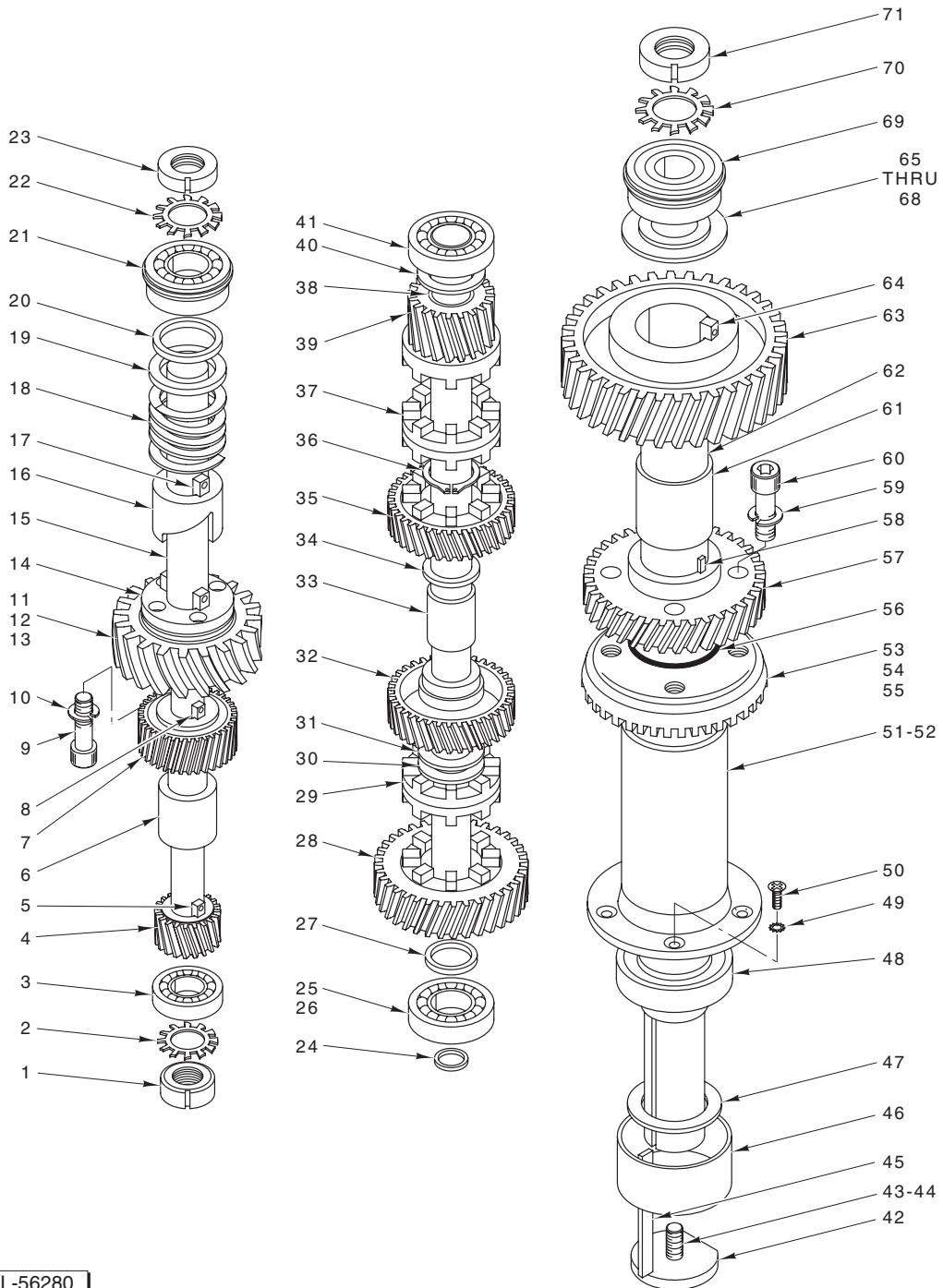


PL-56279

POWER BOWL LIFT UNIT

POWER BOWL LIFT UNIT

ILLUS.	PART NO.	NAME OF PART	AMT.
PL-56279			
1	NS-035-17	Special Nut $\frac{9}{16}$ -18 Palnut	1
2	00-120098	Detent Plate & Hub Assy.	1
3	BA-002-18	Ball $\frac{3}{8}$ Dia.	6
4	00-064616	Spring – Detent (12 lb.) (Holes nearest drive screws)	3
5	00-007009	Spring – Detent (6 lb.)	3
6	00-120097	Pulley Assy. (20T)	1
7	00-064405	Collar – Input Shaft	1
8	NS-034-04	Lock Nut N.D. #N-03	1
9	WL-012-04	Lockwasher N.D. #W-03	1
10	BB-005-30	Ball Bearing NSK #6203DDUCE	1
11	00-064558	Washer – Trust	1
12	BN-002-18	Needle Bearing – Torrington #NTA-1423	1
13	00-064558	Washer – Trust	1
14	00-120094	Screw – Lift	1
15	00-120096	Retainer – Lift Nut	1
16	00-120095	Nut – Bowl Lift Screw	1
17	00-120173	Spacer – Nut (L800 Series)	1
18	00-293443	Motor (230 V.) (1 Ph.)	1
19	KW-003-01	Key #304 Woodruff	1
20	00-120053	Seal – Oil	1
21	WL-003-43	Lockwasher $\frac{5}{16}$ Light	4
22	00-270747	Gear Case Assy. (Incls. Items 20, 26, 47, & 48)	1
23	00-120100	Nut – Vibration Mount	4
24	WS-004-39	Washer	4
25	SC-036-07	Cap Screw $\frac{1}{4}$ -20 x $1\frac{1}{8}$ Hex Hd.	4
26	00-064641	Bearing – Gear Box	1
27	SC-040-04	Cap Screw 10-32 x $\frac{3}{4}$ Soc. Hd.	4
28	WL-003-22	Lockwasher #10 Light	4
29	00-120080	Gear – Internal (64T)	1
30	RP-002-25	Roll Pin $\frac{1}{8}$ Dia. x $\frac{7}{8}$ Lg.	1
31	00-120079	Hub – Gear	1
32	KW-003-03	Key – #404 Woodruff	1
33	BB-005-19	Ball Bearing – Fafnir #H202NPP	1
34	KW-003-01	Key #304 Woodruff	1
35	PS-004-09	Spirol Pin $\frac{3}{16}$ Dia. x 1 Lg.	1
36	00-120084	Cover – Gear Case	1
37	WL-003-36	Lockwasher $\frac{1}{4}$ Light	4
38	SC-036-04	Cap Screw $\frac{1}{4}$ -20 x $\frac{3}{4}$ Slotted Hex Hd.	4
39	00-116634	Belt – Timing	1
40	RR-008-06	Retaining Ring	1
41	00-120086	Drive Pulley Assy. (14T)	1
42	00-120083	Shaft – Transmission	1
43	SD-012-20	Self-Tapping Screw 8-32 x $\frac{1}{2}$ Phil. Truss Hd., Type T	2
44	00-120163	Bracket – Capacitor	1
45	RR-004-17	Retaining Ring	1
46	00-120081	Gear – Motor Pinion (16T)	1
47	00-011800-00091	Dowel	2
48	00-024670	Insulator – Fiber	1
49	FE-021-14	Bushing – Snap	1
50	00-437790	Switch Assy. (Incls. Items 49, 51, 53, 56, 57, 58, & 59)	1
51	RP-002-41	Roll Pin 0.094 In. Dia. x $\frac{3}{4}$ Lg.	1
52	00-120105	Grommet	1
53	00-120108	Hub – Switch	1
54	00-077401	Knob – Switch Control	1
55	00-120107	Handle – Switch	1
56	SC-040-10	Cap Screw $\frac{1}{4}$ -20 x $\frac{3}{4}$ Soc. Hex Hd.	2
57	WS-030-06	Washer	2
58	WL-003-36	Lockwasher $\frac{1}{4}$ Light	2
59	NS-013-01	Hex Nut $\frac{1}{4}$ -20	2
60	00-438321	Plate – Switch Mounting	1
61	WL-003-36	Lockwasher $\frac{1}{4}$ Light	2
62	SC-036-03	Cap Screw $\frac{1}{4}$ -20 x $\frac{5}{8}$ Slotted Hex Hd.	2
63	SC-037-85	Cap Screw $\frac{9}{16}$ -18 x 1 Hex Hd.	4
64	00-120359-00001	Capacitor	1



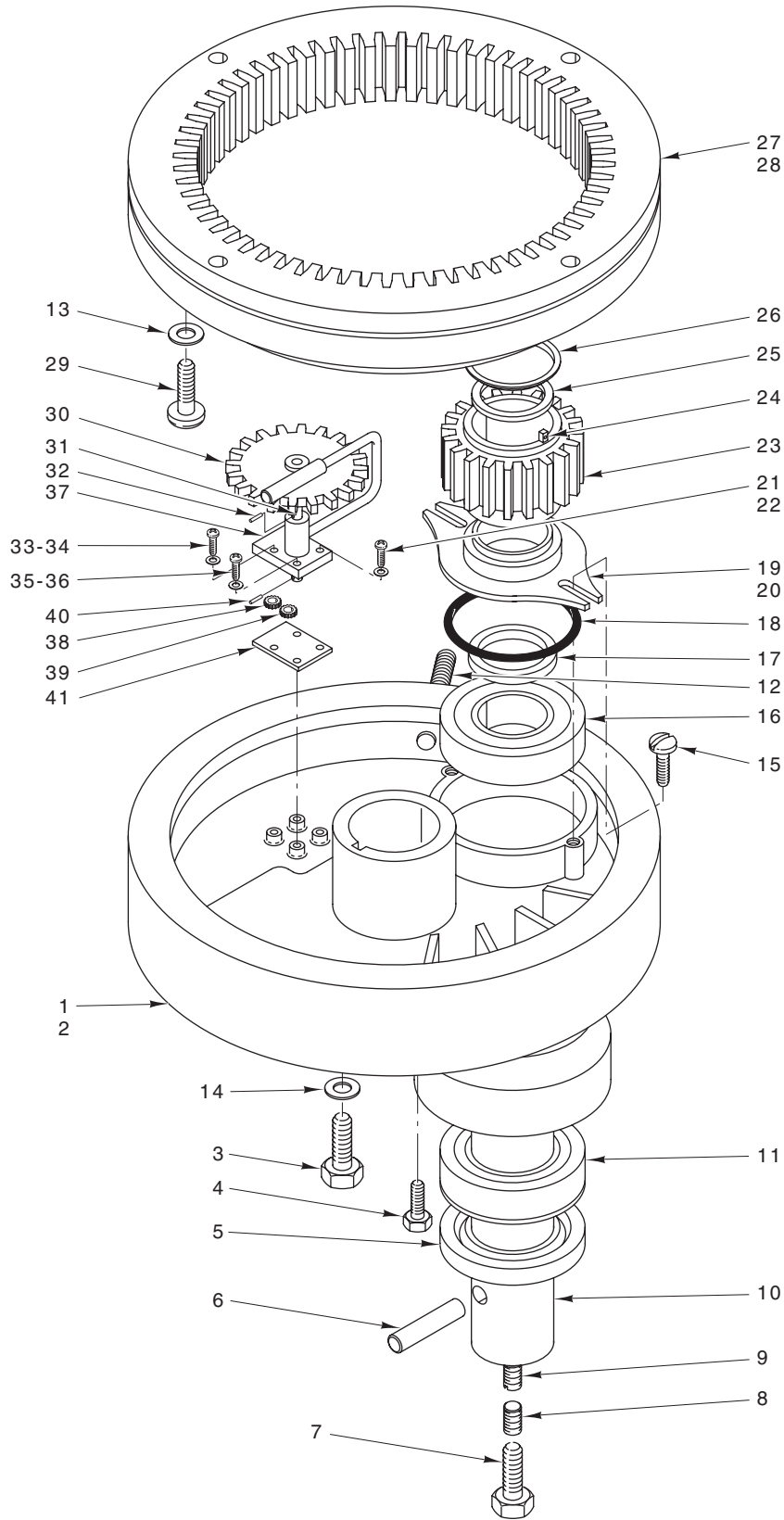
PL-56280

TRANSMISSION UNIT

ILLUS.	PART NO.	NAME OF PART	AMT.
PL-56280			
1	NS-034-05	Lock Nut N.D. #N-04	1
2	WL-012-05	Lockwasher N.D. #W-04	1
3	BB-012-07	Ball Bearing – SKF #1204 Self-Aligning	1
4	00-121382	Gear – Lower Worm Shaft (17T)	1
5	00-012430-00051	Key	1
6	00-024206	Spacer – Worm Gear Shaft	1
7	00-024207	Gear – Upper Worm Shaft (25T)	1
8	00-012430-00051	Key	1
9	SC-040-08	Cap Screw 1/4-20 x 1 Soc. Hex Hd.	4
10	WL-003-35	Lockwasher 1/4 Medium	4

TRANSMISSION UNIT (CONT.)

ILLUS.	PART NO.	NAME OF PART	AMT.
PL-56280			
11	00-024288	Worm Gear (26T, 50 Hz.) (H600 Series)	1
12	00-024208	Worm Gear (29T, 60 Hz.) (L800 Series)	1
13	00-024735	Worm Gear (31T, H600, 60 Hz.; L800, 50 Hz.)	1
14	00-061497	Flange – Shock Absorber Drive	1
15	00-024204	Shaft – Worm Gear	1
16	00-061498	Compressor – Shock Absorber	1
17	00-024546	Key – Compressor to Shaft	1
18	00-009733	Spring – Worm Shaft	1
19	00-024238	Washer – Shock Absorber	1
20	RR-005-10	Retaining Ring (Spirolox)	1
21	BB-009-37	Ball Bearing SKF #5204-ZNBR	1
22	WL-012-05	Lockwasher N.D. #W-04	1
23	NS-034-05	Lock Nut #N-04	1
24	RR-005-04	Retaining Ring (Spirolox)	1
25	BB-018-33	Ball Bearing – Fafnir #205KFA (H600 Series)	1
26	BB-008-31	Ball Bearing – Fafnir #7205W (L800 Series)	1
27	00-024210	Spacer – Clutch Shaft	1
28	00-024539	Lower Clutch & Lower Gear Assy. (49T)	1
29	00-024213	Clutch – Shifting	1
30	RR-004-13	Retaining Ring (Truarc)	1
31	00-060767	Washer – Clutch Shaft	1
32	00-024538	Lower Clutch & Upper Gear Assy. (41T)	1
33	00-024209	Shaft – Clutch	1
34	00-024216	Washer – Clutch Shaft	1
35	00-024537	Upper Clutch and Lower Gear Assy. (33T)	1
36	RR-004-13	Retaining Ring (Truarc)	1
37	00-024213	Clutch – Shifting	1
38	00-024218	Bearing – Sleeve	1
39	00-024545	Upper Clutch & Upper Gear Assy. (17T) (Incls. Item 38)	1
40	00-024210	Spacer – Clutch Shaft	1
41	BB-018-33	Ball Bearing – Fafnir #205KFA	1
42	00-024266-00001	Washer – Planetary	1
43	SC-041-66	Cap Screw $\frac{3}{8}$ -24 x 1 $\frac{1}{4}$ Hex Hd. (SST)	1
44	WL-006-27	Lockwasher $\frac{3}{8}$ Light (SST)	1
45	00-012430-00195	Key	1
46	00-060486	Shield – Planetary Oil	1
47	00-024543	Washer – Planetary Spacer	1
48	BB-015-26	Ball Bearing – Fafnir #9109PP	1
49	WL-009-08	Lockwasher $\frac{1}{4}$ Csk. External Shakeproof	5
50	SC-013-79	Mach. Screw $\frac{1}{4}$ -20 x 1 $\frac{1}{2}$ Slotted Flat Hd.	5
51	00-121478-00001	Chimney	1
52	00-067500-00102	O-Ring	1
53	00-061727-00002	Gear – Spiral Bevel (41T) (Order With Item 54 or 55)	1
54	00-061914-00002	Pinion – Bevel (16T) (#12) (Order With Item 53) (Shown in PL-56282)	1
55	00-061224-00002	Pinion – Bevel (16T) (#22) (Order With Item 53) (Shown in PL-56282)	1
56	00-067500-00019	O-Ring	1
57	00-024223	Gear – Planetary Shaft Lower (35T)	1
58	00-012430-00211	Key	1
59	WL-003-48	Lockwasher $\frac{5}{16}$ High Collar	4
60	SC-040-15	Cap Screw $\frac{5}{16}$ -18 x 1 $\frac{1}{4}$ Soc. Fil. Hd.	4
61	00-024224	Spacer – Planetary Shaft	1
62	00-024222	Shaft – Planetary	1
63	00-024225	Gear – Upper Planetary Shaft (53T)	1
64	00-012430-00210	Key – $\frac{5}{16}$ x $\frac{5}{16}$ x 1 $\frac{3}{8}$	1
65	00-479808	Shim – Planetary Shaft	1
66	WS-030-91	Washer (0.003 In. Thk.)	AR
67	WS-030-92	Washer (0.005 In. Thk.)	AR
68	WS-030-93	Washer (0.010 In. Thk.)	AR
69	BB-009-48	Ball Bearing – MRC #5206SBK-FFG	1
70	WL-012-07	Lockwasher N.D. #W-06	1
71	NS-034-07	Lock Nut N.D. #N-06	1
	00-089673-00001	Worm Gear Assy. (H600, 60 Hz. or L800, 50 Hz.) (Incls. Items 1 thru 10 & 13 thru 20)	1
	00-089673-00002	Worm Gear Assy. (50 Hz.) (H600 Series) (Incls. Items 1 thru 11 & 14 thru 20)	1
	00-089673-00003	Worm Gear Assy. (60 Hz.) (L800 Series) (Incls. Items 1 thru 10, 12, & 14 thru 20)	1

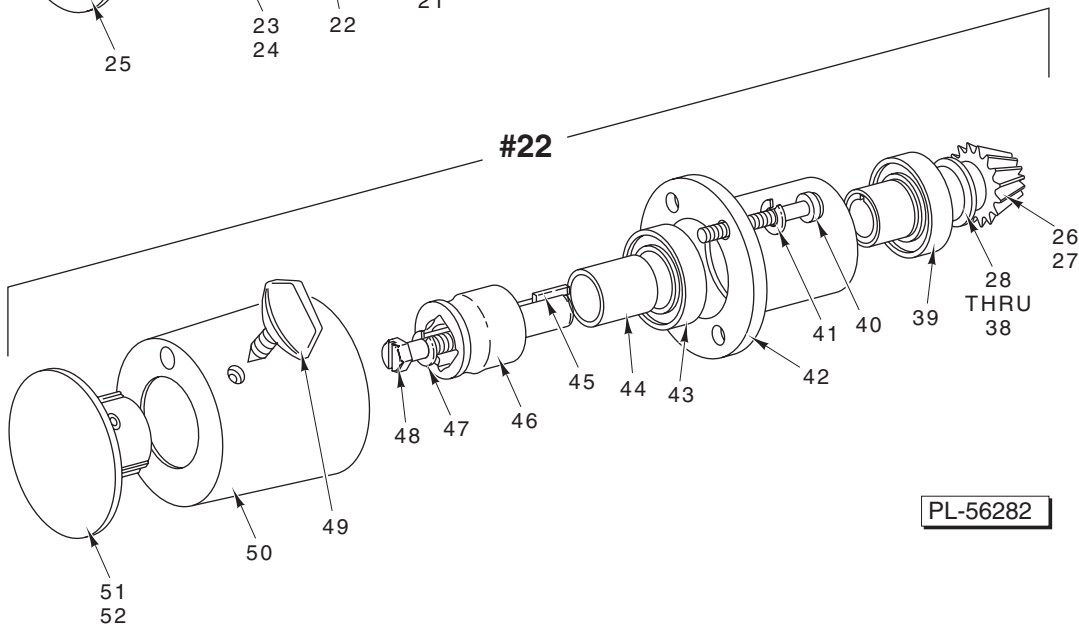
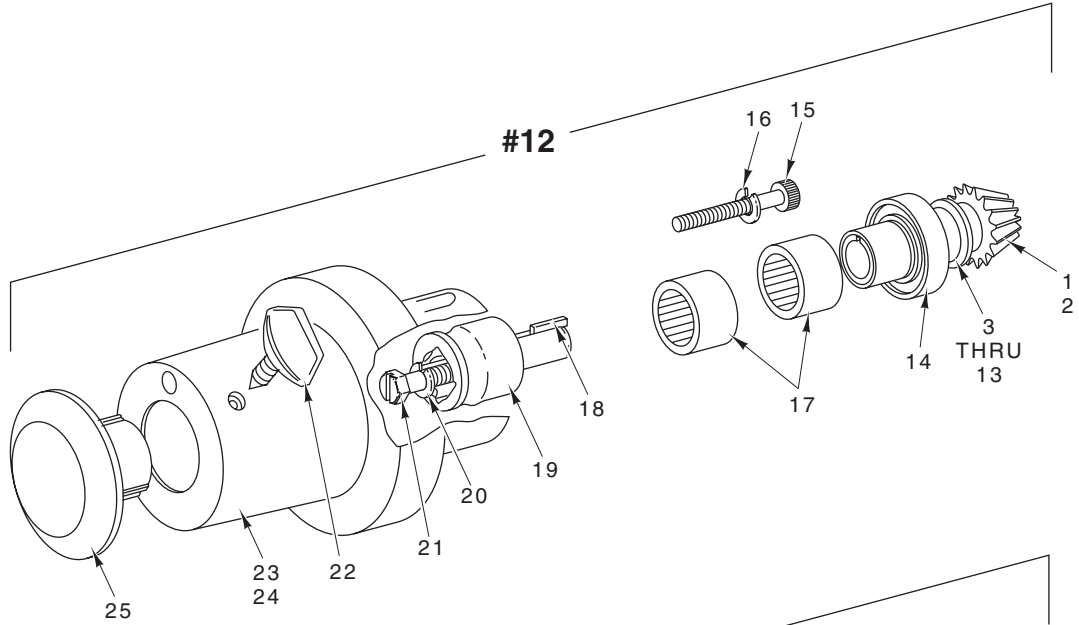


PL-56281

PLANETARY UNIT

PLANETARY UNIT

ILLUS.	PART NO.	NAME OF PART	AMT.
PL-56281			
1	00-024265-00001	Planetary (Painted) (Incls. Item 12)	1
2	00-024265-00003	Planetary (Deluxe) (Incls. Item 12)	1
3	SC-041-42	Cap Screw 1/2-20 x 1 Hex Hd. (SST)	1
4	SC-041-26	Cap Screw 3/8-16 x 1/2 Hex Hd. (SST)	2
5	00-024651	Seal – Planetary	1
6	00-111156	Pin – Agitator Shaft	1
7	00-064723	Screw – Agitator Shaft	1
8	SC-047-41	Set Screw 3/8-16 x 3/8 Soc. Hdls., Cup Pt.	1
9	00-007744	Set Screw – Hdls., Cone Pt.	1
10	00-064137	Agitator Shaft Assy. (Incls. Items 6 thru 9)	1
11	BB-007-39	Ball Bearing – MRC #207-SZZ	1
12	FP-028-38	Plug 3/8 Hex Socket Pipe	1
13	WL-019-92	Lockwasher 3/8 High Collar	4
14	WS-021-21	Washer	1
15	SC-009-41	Mach. Screw 1/4-20 x 3/8 Slotted Rd. Hd.	2
16	BB-006-36	Ball Bearing – MRC #306-SZZ	1
17	00-060768	Shim – Internal Pinion	AR
18	00-067500-00021	O-Ring	1
19	00-270867	Washer – Special	1
20	00-270866	Oil Baffle – Planetary	1
21	SC-060-87	Mach. Screw 10-32 x 3/4 Slotted Rd. Hd.	1
22	WL-003-22	Lockwasher #10 Light	1
23	00-024270	Pinion – Internal (18T)	1
24	00-012430-00154	Key	1
25	RR-005-08	Retaining Ring	1
26	00-060071	Cap – Oil Retaining	1
27	00-437692	Gear – Internal (59T) (H600 Series)	1
28	00-437449	Gear – Internal (59T) (L800 Series)	1
29	SC-040-23	Cap Screw 3/8-16 x 1 1/4 Soc. Fil Hd.	4
30	00-060467	Conveying Gear Assy. (18T)	1
31	00-186271	Shaft – Oil Pump	1
32	RP-002-08	Roll Pin 5/64 Dia. x 1 1/16 Lg.	1
33	SC-009-68	Mach. Screw 8-32 x 3/4 Slotted Rd. Hd.	1
34	WL-003-15	Lockwasher #8 Light	1
35	SC-081-17	Mach. Screw 10-32 x 1 Slotted Rd. Hd.	2
36	WL-003-22	Lockwasher #10 Light	2
37	00-123679	Housing & Tube Assy.	1
38	00-290277	Gear – Oil Pump (15T) (Slotted)	1
39	00-186270	Gear – Oil Pump (15T)	1
40	00-538772	Dowel 3/32 Dia. x 1 1/32 Lg.	1
41	00-060443	Plate – Oil Pump Bottom	1
	00-186273-00001	Oil Pump Service Kit (Incls. Items 31, 39, & 40)	1

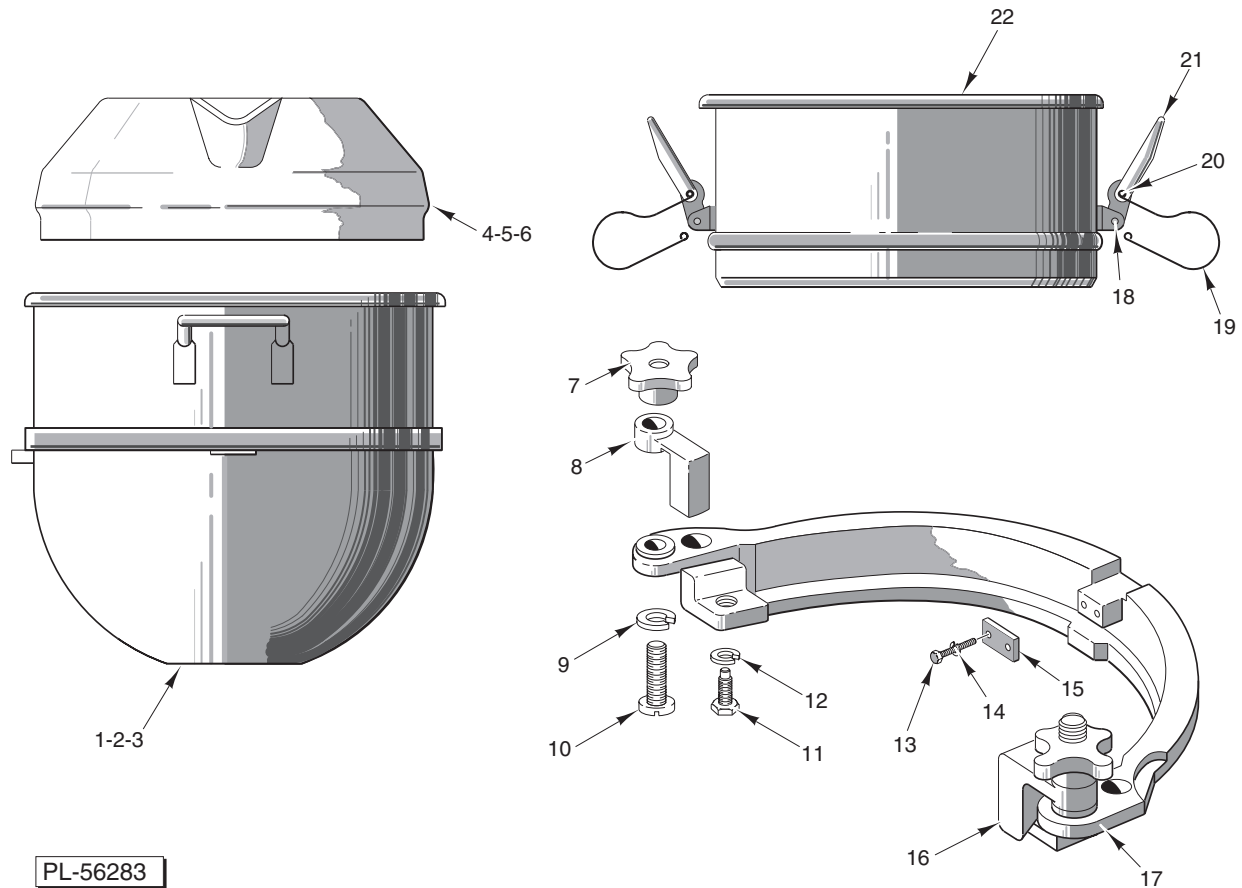


PL-56282

ATTACHMENT HUB UNIT

ATTACHMENT HUB UNIT

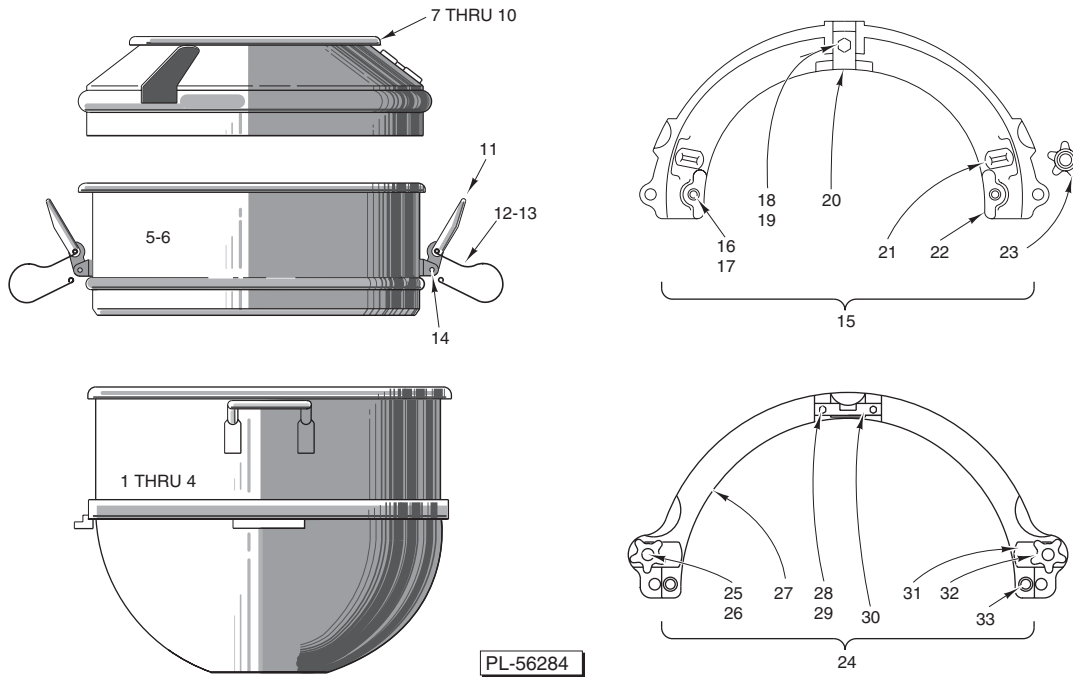
ILLUS.	PART NO.	NAME OF PART	AMT.
	PL-56282		
1	00-061914-00002	Pinion – Bevel (16T) (Order With Item 2)	1
2	00-061727-00002	Gear – Pinion (41T) (Order With Item 1) (Shown in PL-56280)	1
3	00-061920-00001	Washer (0.076 In. Thk.)	AR
4	00-061920-00002	Washer (0.079 In. Thk.)	AR
5	00-061920-00003	Washer (0.082 In. Thk.)	AR
6	00-061920-00004	Washer (0.085 In. Thk.)	AR
7	00-061920-00005	Washer (0.088 In. Thk.)	AR
8	00-061920-00006	Washer (0.091 In. Thk.)	AR
9	00-061920-00007	Washer (0.094 In. Thk.)	AR
10	00-061920-00008	Washer (0.097 In. Thk.)	AR
11	00-061920-00009	Washer (0.100 In. Thk.)	AR
12	00-061920-00010	Washer (0.103 In. Thk.)	AR
13	00-061920-00011	Washer (0.106 In. Thk.)	AR
14	BB-013-03	Ball Bearing – Nice #618	1
15	SC-040-50	Cap Screw ⁵ / ₁₆ -18 x 2 ¹ / ₄ Soc. Fil. Hd.	4
16	WL-003-44	Lockwasher ⁵ / ₁₆ Medium	4
17	BN-002-06	Needle Bearing (Torrington B-2212)	2
18	00-012430-00042	Key	1
19	00-061506	Sleeve – Square Drive	1
20	WL-003-44	Lockwasher ⁵ / ₁₆ Medium	1
21	00-439271	Screw – Special (LH Thread)	1
22	00-108197-00001	Thumb Screw	1
23	00-061894-00003	Hub – Attachment (Painted)	1
24	00-061894-00004	Hub – Attachment (Deluxe)	1
25	00-114824-00001	Plug – Attachment Hub	1
26	00-061224-00002	Pinion – Bevel (16T) (Order With Item 27)	1
27	00-061727-00002	Gear – Pinion (41T) (Order With Item 26) (Shown in PL-56280)	1
28	00-061920-00001	Washer (0.076 In. Thk.)	AR
29	00-061920-00002	Washer (0.079 In. Thk.)	AR
30	00-061920-00003	Washer (0.082 In. Thk.)	AR
31	00-061920-00004	Washer (0.085 In. Thk.)	AR
32	00-061920-00005	Washer (0.088 In. Thk.)	AR
33	00-061920-00006	Washer (0.091 In. Thk.)	AR
34	00-061920-00007	Washer (0.094 In. Thk.)	AR
35	00-061920-00008	Washer (0.097 In. Thk.)	AR
36	00-061920-00009	Washer (0.100 In. Thk.)	AR
37	00-061920-00010	Washer (0.103 In. Thk.)	AR
38	00-061920-00011	Washer (0.106 In. Thk.)	AR
39	BB-015-16	Ball Bearing – Fafnir #9106 PP	1
40	SC-040-67	Cap Screw ⁵ / ₁₆ -18 x 2 ¹ / ₂ Soc. Fil. Hd.	4
41	WL-003-44	Lockwasher ⁵ / ₁₆ Medium	4
42	00-061228-00001	Carrier – Bearing	1
43	BB-015-16	Ball Bearing – Fafnir #9106 PP	1
44	00-061227	Spacer – Bearing	1
45	00-012430-00060	Key	1
46	00-061230	Sleeve – Square Drive	1
47	WL-003-44	Lockwasher ⁵ / ₁₆ Medium	1
48	00-439271	Screw – Special (LH Thread)	1
49	00-108197-00001	Thumb Screw	1
50	00-061226-00003	Hub – Attachment	1
51	00-024799-00001	Plug – Attachment Hole (Painted)	1
52	00-114824-00001	Plug – Attachment Hub (Deluxe)	1



PL-56283

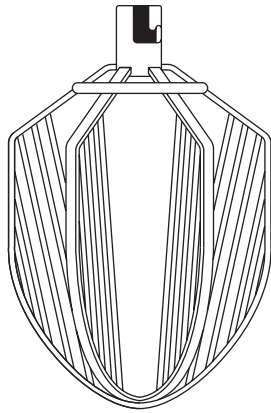
**BOWLS AND EQUIPMENT
(H600 MIXER)**

ILLUS.	PART NO.	NAME OF PART	AMT.
PL-56283			
1	00-275688	Bowl – 60 Qt. (SST) (Packaged)	1
2	00-275686	Bowl – 40 Qt. (SST) (Packaged)	1
3	00-295648	Bowl – 30 Qt. (SST) (Packaged)	1
4	00-438082	Cover Assy. – Splash 60 Qt. (Plastic) (Packaged)	1
5	00-438081	Cover Assy. – Splash 40 Qt. (SST) (Packaged)	1
6	00-438080	Cover Assy. – Splash 30 Qt. (SST) (Packaged)	1
7	00-008101-00001	Knob – Clamp Stud	2
8	00-024845-00001	Clamp – Adapter (60-40 Qt. & 60-30 Qt., LH)	1
9	WL-004-11	Lockwasher 1/2 Medium	2
10	00-022196	Bolt – Bowl Lock	2
11	00-024846	Stud – Bowl Locating	2
12	WL-004-17	Lockwasher 5/8 Light	2
13	SC-062-38	Cap Screw 1/4-20 x 5/8 Hex Hd.	2
14	WL-003-38	Lockwasher 1/4 Medium	2
15	00-024301	Retainer – Bowl	1
16	00-060222-00001	Clamp – Adapter (60-40 Qt. & 60-30 Qt., RH)	1
17	00-065790-00001	Adaptor Bowl (60-40 Qt. & 60-30 Qt.)	1
18	RP-002-35	Roll Pin 3/16 Dia. x 5/8 Lg. (SST)	2
19	00-437636	Spring – Bowl Clamp	2
20	RP-003-22	Roll Pin 3/16 Dia. x 1 1/8 Lg. (SST)	2
21	00-437586	Handle – Clamp	2
22	00-438104-00004	Extension 60 Qt. Bowl (SST) (Flange Top Bowl) (Incls. Items 18 thru 21) (Packaged)	1
	00-062087-00001	Adapter Assy. (60-40 Qt. & 60-30 Qt.) (Incls. Items 7 thru 17)	1
	00-118801	Scraper – Bowl (Hand Held)	1
	00-102714	Brush	1
	00-438824	Ingredient Chute (Packaged)	1
	00-315284-00001	Scraper – Bowl and Mounting Bracket (60 Qt.) (Packaged)	1
	00-315284-00002	Scraper – Bowl (60 Qt.) (Packaged)	1

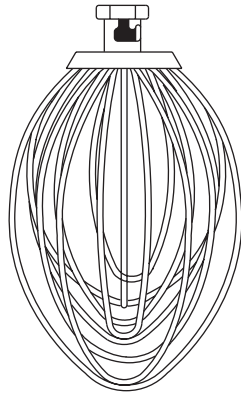


**BOWLS AND EQUIPMENT
(L800 MIXER)**

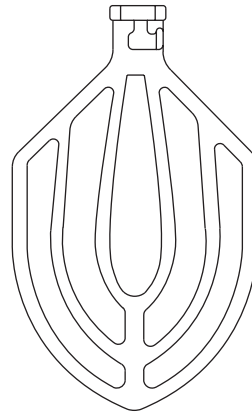
ILLUS. PL-56284	PART NO.	NAME OF PART	AMT.
1	00-275690	Bowl – 80 Qt. (SST) (Packaged)	1
2	00-275688	Bowl – 60 Qt. (SST) (Packaged)	1
3	00-275686	Bowl – 40 Qt. (SST) (Packaged)	1
4	00-295648	Bowl – 30 Qt. (SST) (Packaged)	1
5	00-438104-00002	Extension 80 Qt. Bowl (SST) (Flange Top Bowl) (Incls. Items 11 thru 14) (Packaged)	1
6	00-438104-00004	Extension 60 Qt. Bowl (SST) (Flange Top Bowl) (Incls. Items 11 thru 14) (Packaged)	1
7	00-438083	Cover Assy. – Splash 80 Qt. (SST)	1
8	00-438082	Cover Assy. – Splash 60 Qt. (Plastic) (Packaged)	1
9	00-438081	Cover Assy. – Splash 40 Qt. (SST) (Packaged)	1
10	00-438080	Cover Assy. – Splash 30 Qt. (SST) (Packaged)	1
11	00-437586	Handle – Clamp	2
12	00-437636	Spring – Bowl Clamp	2
13	RP-003-22	Roll Pin ³ / ₁₆ Dia. x 1 ¹ / ₈ Lg. (SST)	2
14	RP-002-35	Roll Pin ³ / ₁₆ Dia. x ⁵ / ₈ Lg. (SST)	2
15	00-024653-00001	Bowl Adapter Assy. (80-40 Qt. & 80-30 Qt.) (Incls. Items 16 thru 23)	1
16	WL-004-17	Lockwasher ⁵ / ₈ Light	2
17	00-007629-00002	Stud – Bowl Locating	2
18	WL-004-11	Lockwasher ¹ / ₂ Medium	1
19	SC-062-37	Cap Screw ¹ / ₂ -13 x 1 Hex Hd.	1
20	00-007624-00001	Retainer – Bowl	1
21	00-008100-00001	Stud – Clamp	2
22	00-111165-00001	Adapter (80-40 Qt. & 80-30 Qt.)	1
23	00-111268-00001	Knob – Clamp Stud	2
24	00-061033-00001	Bowl Adapter Assy. (60 Qt.) (Incls. Items 25 thru 33)	2
25	00-022196	Bolt – Bowl Lock	2
26	WL-004-11	Lockwasher ¹ / ₂ Medium	2
27	00-065791-00001	Adapter (80-60 Qt.)	1
28	SC-037-88	Cap Screw ⁹ / ₁₆ -18 x 1 ¹ / ₄ Hex Hd.	2
29	WL-003-47	Lockwasher ⁵ / ₁₆ Medium	2
30	00-024289	Retainer – Bowl	1
31	00-065532-00001	Clamp – Bowl Adapter	2
32	00-008101-00001	Knob – Clamp Stud	2
33	00-024300	Pin – Bowl Locating	2
	00-438047	Ingredient Chute (Packaged)	1
	00-315285-00001	Scraper – Bowl and Mounting Bracket (80 Qt.) (Packaged)	1
	00-315285-00002	Scraper – Bowl (80 Qt.) (Packaged)	1
	00-315284-00002	Scraper – Bowl (60 Qt.) (Packaged)	1



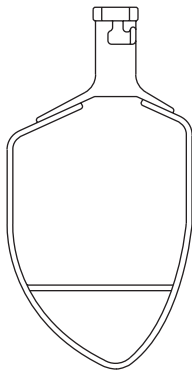
1-2



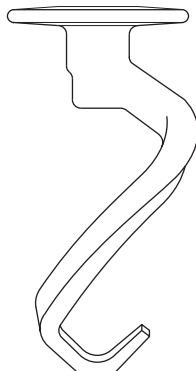
3



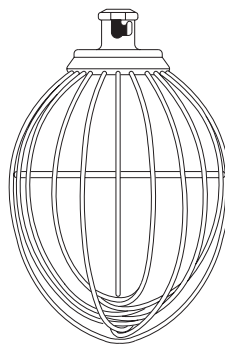
4-5



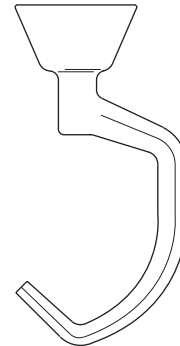
6



7



8

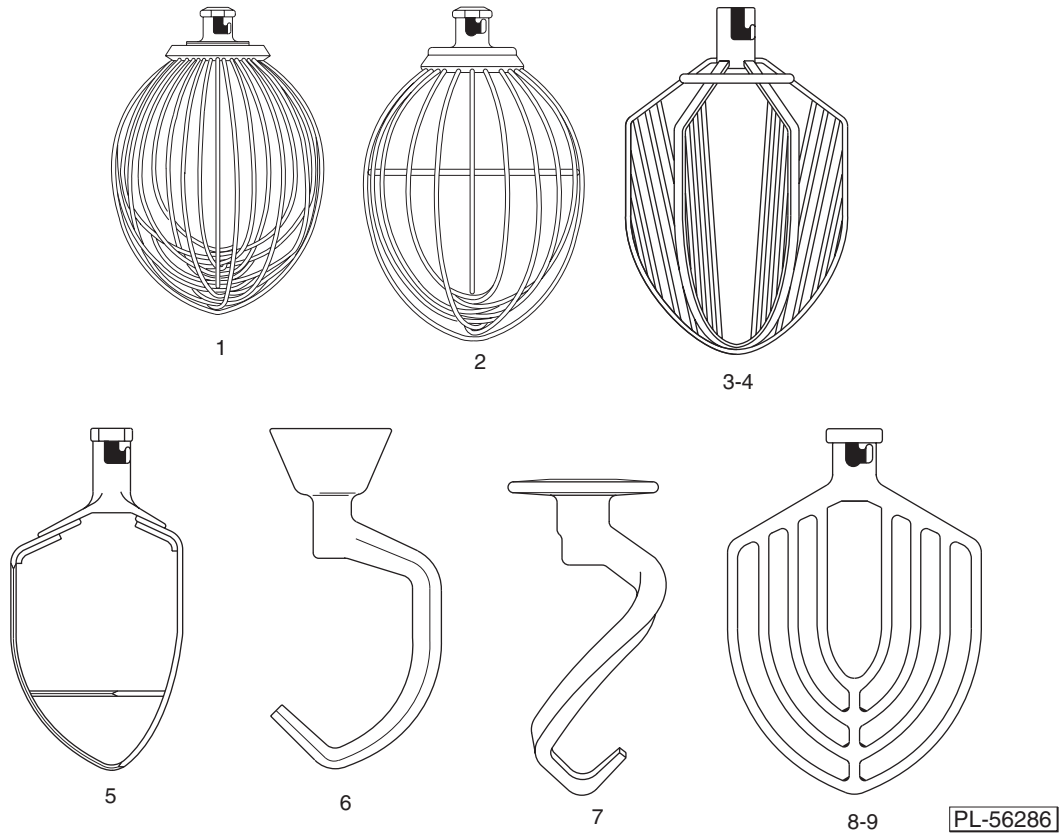


9

PL-56285

**AGITATORS
(H600 MIXER)**

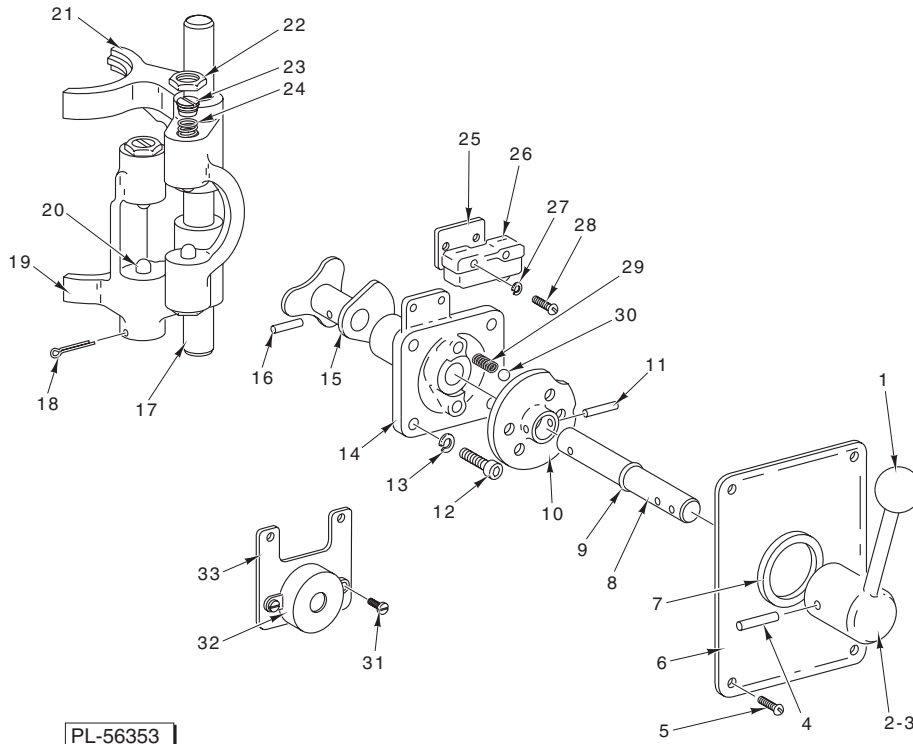
ILLUS. PL-56285	PART NO.			NAME OF PART	AMT.
	60 Qt.	40 Qt.	30 Qt.		
1	00-295156	---	---	"C" Six-Wing Whip (Packaged)	1
2	---	---	00-295160	"C" Four-Wing Whip (Packaged)	1
3	00-295154	00-295157	00-439740	"D" Wire Whip (SST) (Packaged)	1
4	00-275886	00-295033	00-295034	"B" Flat Beater (SST) (Packaged)	1
5	00-275885	00-275447	00-275809	"B" Flat Beater (Alum.) (Packaged)	1
6	00-275865	---	---	"P" Pastry Knife (Packaged)	1
7	00-295174	---	---	"ED" Dough Arm – Spiral (Packaged)	1
8	00-295155	00-295158	00-295162	"I" Wire Whip (Packaged)	1
9	00-295175	00-295176	00-275458	"E" Dough Arm (Packaged)	1



PL-56286

**AGITATORS
(L800 MIXER)**

ILLUS. PL-56286	PART NO.				NAME OF PART	AMT.
	80 Qt.	60 Qt.	40 Qt.	30 Qt.		
1	00-295149	00-295154	00-295157	00-439740	"D" Wire Whip (SST) (Packaged)	1
2	00-295150	00-295155	00-295158	00-295162	"I" Wire Whip (SST) (Packaged)	1
3	00-295151	00-295156	---	---	"C" Six-Wing Whip (Packaged)	1
4	---	---	---	00-295160	"C" Four-Wing Whip (Packaged)	1
5	00-275836	00-275865	---	---	"P" Pastry Knife (Packaged)	1
6	---	00-295175	00-295176	00-275458	"E" Dough Arm (Packaged)	1
7	00-437701	00-295174	---	---	"ED" Dough Arm (Spiral) (Packaged)	1
8	00-295041	00-275886	00-295033	00-295034	"B" Flat Beater (SST) (Packaged)	1
9	00-275448	00-275885	00-275447	00-275809	"B" Flat Beater (Alum.) (Packaged)	1



PL-56353

SHIFTING UNIT

ILLUS.	PART NO.	NAME OF PART	AMT.
PL-56353			
1	00-060468	Knob – Gear Shift	1
2	00-060469	Handle & Hub Assy.	1
3	00-060469-00002	Handle & Hub Assy. (ML-104557 & ML-104558)	1
4	RP-002-03	Roll Pin ³ / ₁₆ Dia. x 1 ¹ / ₄ Lg.	1
5	00-123131	Screw – Serrated 8-32 x ³ / ₈	4
6	00-117873-00001	Plate – Shift Selector	1
7	00-060395	Grommet – Gear Shift	1
8	00-060400	Shaft – Gear Shift	1
9	00-067500-00006	O-Ring	1
10	00-060394	Hub & Cam Assy.	1
11	RP-002-10	Roll Pin ³ / ₁₆ Dia. x 1 Lg.	1
12	SC-040-16	Cap Screw ⁵ / ₁₆ -18 x 1 Soc. Fil. Hd.	4
13	WL-003-44	Lockwasher ⁵ / ₁₆ Medium	4
14	00-060359	Bracket – Gear Shift	1
15	00-024249	Gear Shift Cam Assy.	1
16	RP-002-06	Roll Pin ¹ / ₄ Dia. x 1 Lg.	1
17	00-024227	Shaft – Shifter	1
18	PC-003-24	Cotter Pin ¹ / ₁₆ Dia. x 1 ¹ / ₂ Lg.	1
19	00-024228	Yoke – Lower Shifting	1
20	00-024230	Plunger – Shifting Yoke	4
21	00-024229	Yoke – Upper Shifting	1
22	00-024232	Nut – Plunger Screw	3
23	00-060723	Screw – Shifting Plunger	4
24	00-024233	Spring – Shifting Plunger	4
25	00-060679	Insulator	1
26	00-087711-071-1	Switch – Interlock	1
27	WL-003-07	Lockwasher #6 Light	2
28	SC-009-45	Mach. Screw 6-32 x 1 Slotted Rd. Hd.	2
29	00-007009	Spring – Detent (6 lb)	2
30	BA-002-18	Ball ³ / ₈ Dia.	2
31	SC-009-49	Mach. Screw 6-32 x ³ / ₈ Slotted Rd. Hd.	2
32	00-438488	Buzzer	1
33	00-438489	Plate – Buzzer (Mount to Gear Shift Bracket)	1