



# CATALOG OF

# REPLACEMENT PARTS

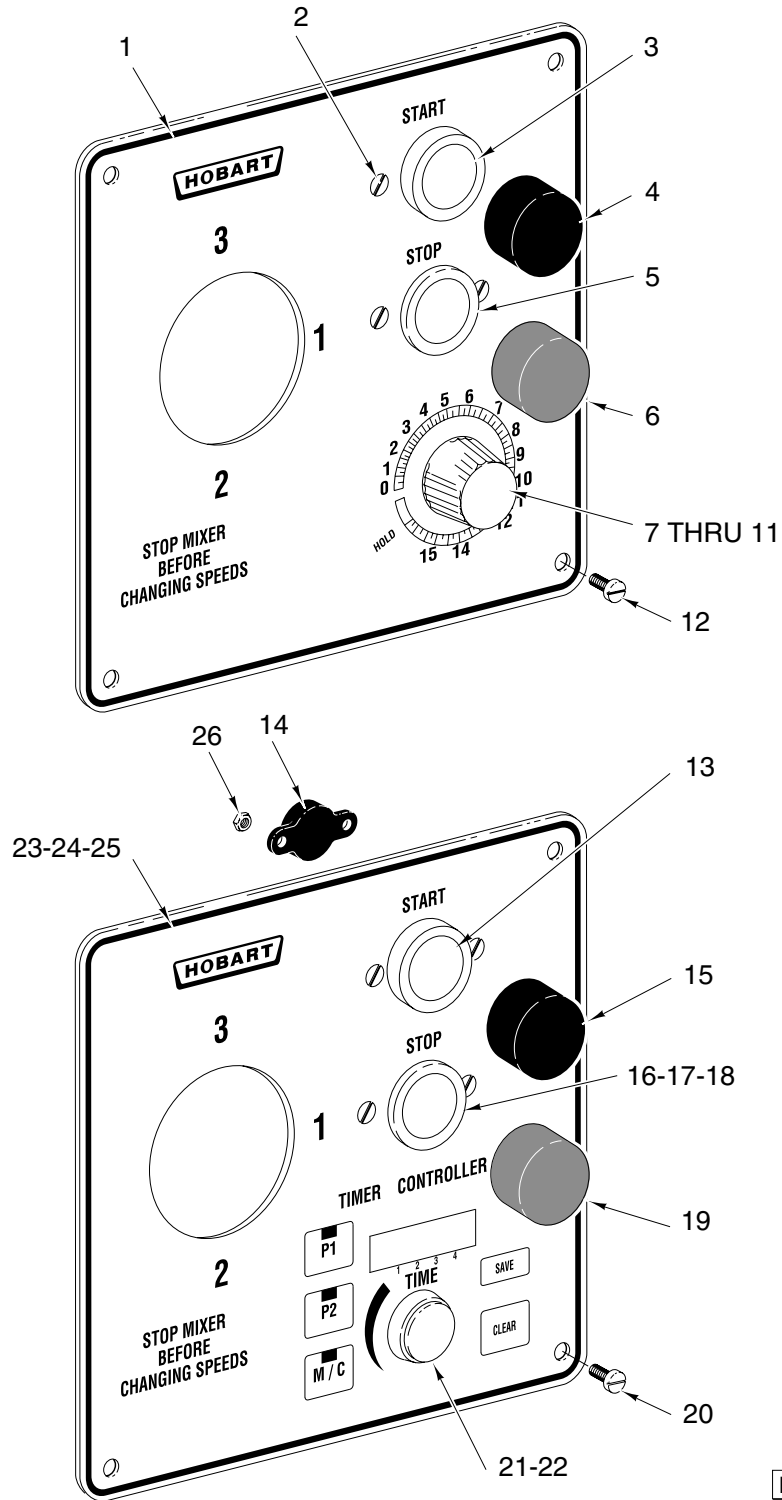


## MODEL D330 MIXER

(INCLUDES MOTOR PART)

ML-104481

D330

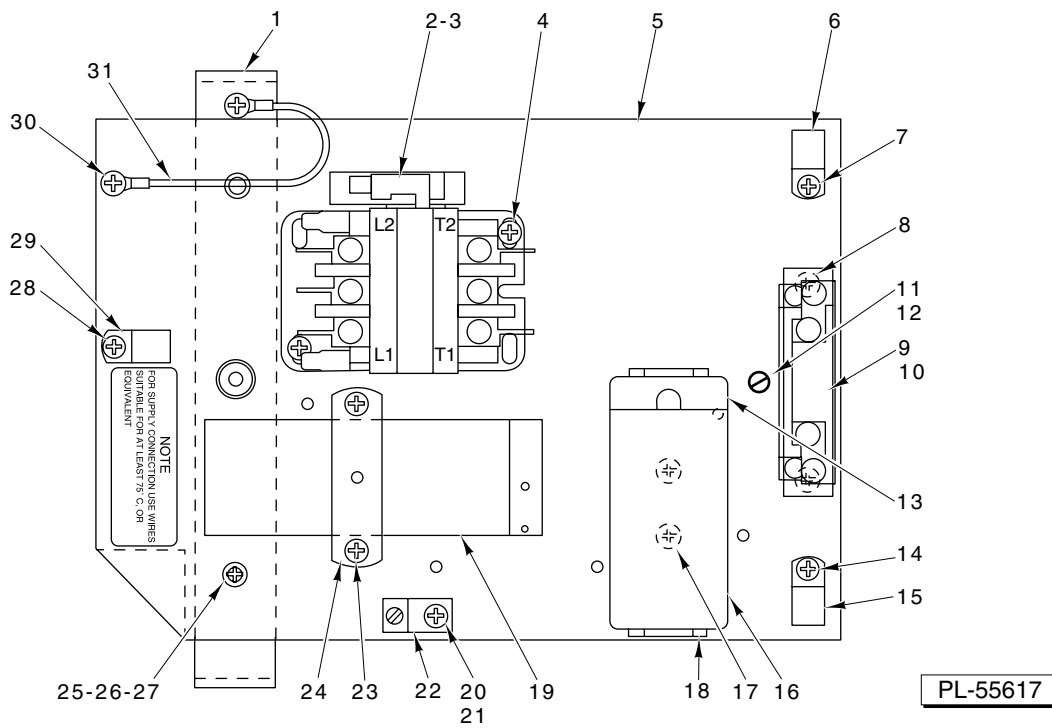


PL-51512

**TIMER CONTROL AND SWITCH UNIT**

**TIMER CONTROL AND SWITCH UNIT**

| ILLUS.   | PART NO.        | NAME OF PART  | AMT. |
|----------|-----------------|---|------|
| PL-51512 |                 |   |      |
| 1        | 00-271312       | Plate – Switch & Timer .....                          | 1    |
| 2        | SC-013-12       | Mach. Screw 6-32 x 1/4 Flat Hd. ....                  | 4    |
| 3        | 00-087711-183-4 | Switch – Push Button (N.O.) .....                     | 1    |
| 4        | 00-102467-00001 | Cap – Push Button (Start) (Black) .....               | 1    |
| 5        | 00-087711-183-2 | Switch – Push Button (N.C.) .....                     | 1    |
| 6        | 00-102467-00002 | Cap – Push Button (Stop) (Red) .....                  | 1    |
| 7        | 00-291748       | Knob – Timer .....                                    | 1    |
| 8        | 00-294650-004-1 | Timer Assy. (115 V., 60 Hz.) .....                    | 1    |
| 9        | 00-294650-004-2 | Timer Assy. (200/300 V., 60 Hz.) .....                | 1    |
| 10       | 00-271313       | Insulator – Timer .....                               | 1    |
| 11       | SC-013-07       | Mach. Screw 5-40 x 1/4 Flat Hd. ....                  | 2    |
| 12       | SD-024-01       | Self-Tapping Screw 10-24 x 3/8 Pan Hd., Type TT ..... | 4    |
| 13       | 00-087711-183-4 | Switch – Push Button (N.O.) .....                     | 1    |
| 14       | 00-438488       | Buzzer .....  | 1    |
| 15       | 00-102467-00001 | Cap – Push Button (Start) (Black) .....               | 1    |
| 16       | SC-053-38       | Mach. Screw 6-32 x 1/4 Truss Hd. (SST) .....          | 4    |
| 17       | 00-087711-183-2 | Switch – Push Button (N.C.) .....                     | 1    |
| 18       | 00-087711-183-3 | Switch – Push Button (N.C.) .....                     | 1    |
| 19       | 00-102467-00002 | Cap – Push Button (Stop) (Red) .....                  | 1    |
| 20       | SD-024-01       | Self-Tapping Screw 10-24 x 3/8 Pan Hd., Type TT ..... | 4    |
| 21       | 00-437775       | Knob – Potentiometer .....                            | 1    |
| 22       | 00-437742       | Seal – Shaft .....                                    | 1    |
| 23       | 00-438323-00001 | Switch Plate & Keypad Assy. (120 VAC) .....           | 1    |
| 24       | 00-438355-00001 | Board Assy. (120 VAC) .....                           | 1    |
| 25       | 00-438355-00002 | Board Assy. (240 VAC) .....                           | 1    |
| 26       | NS-046-17       | Stop Nut 4-40 Hex .....                               | 2    |

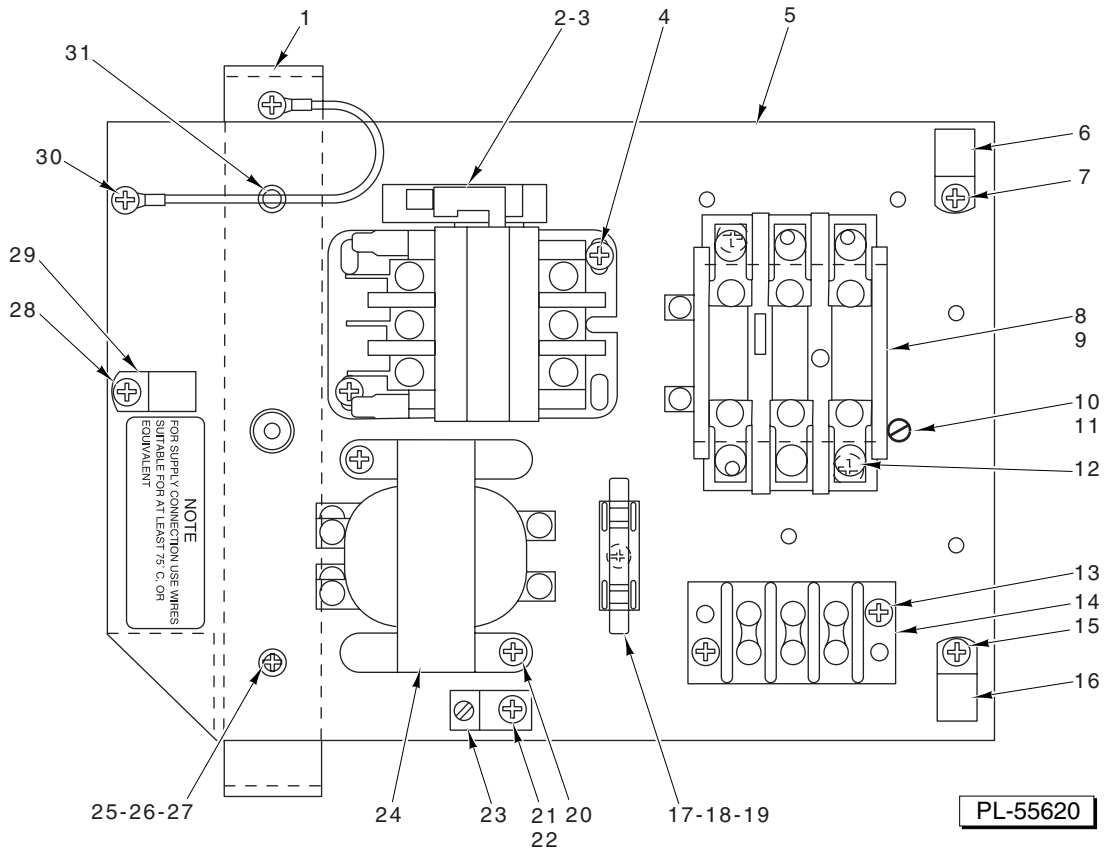


**ELECTRICAL COMPONENT PANEL – 1 PHASE**

**ELECTRICAL COMPONENT PANEL – 1 PHASE**

| ILLUS.<br>PL-55617 | PART NO.        | NAME OF PART  | AMT. |
|--------------------|-----------------|---|------|
| 1                  | 00-274031       | Bracket – Support (Component Panel) .....                       | 1    |
| 2                  | 00-087713-037-1 | Contactora (115 V., 60 Hz., 1 Ph.) (30 Amp.) (2 Pole) .....     | 1    |
| 3                  | 00-087713-037-2 | Contactora (208/240 V., 60 Hz., 1 Ph.) (30 Amp.) (2 Pole) ..... | 1    |
| 4                  | SD-015-20       | Self-Tapping Screw 10-32 x 3/8 Phil. Pan Hd., Type TT .....     | 2    |
| 5                  | 00-274027       | Panel – Component Mounting .....                                | 1    |
| 6                  | 00-078752-00009 | Clamp – Cable .....   | 1    |
| 7                  | SD-015-20       | Self-Tapping Screw 10-32 x 3/8 Phil. Pan Hd., Type TT .....     | 1    |
| 8                  | SD-015-20       | Self-Tapping Screw 10-32 x 3/8 Phil. Pan Hd., Type TT .....     | 2    |
| 9                  | 00-088196-006-1 | Relay – Thermal Overload (1 Ph.) .....                          | 1    |
| 10                 | *               | Heater Element (Overload Relay) .....                           | AR   |
| 11                 | SC-060-03       | Mach. Screw 10-24 x 3/4 Rd. Hd. ....                            | 1    |
| 12                 | WL-007-12       | Lockwasher #10 External Shakeproof .....                        | 1    |
| 13                 | 00-070486-00002 | Cap – Capacitor End .....                                       | 1    |
| 14                 | SD-015-20       | Self-Tapping Screw 10-32 x 3/8 Phil. Pan Hd., Type TT .....     | 1    |
| 15                 | 00-078752-00009 | Clamp – Cable .....   | 1    |
| 16                 | 00-070487-00006 | Capacitor (Motor Start) .....                                   | 1    |
| 17                 | SD-029-06       | Self-Tapping Screw 10-24 x 1/2 Phil. Flat Hd., Type F .....     | 2    |
| 18                 | 00-066621-00001 | Bracket – Capacitor (Motor Start) .....                         | 1    |
| 19                 | 00-274034       | Capacitor (Motor Run) .....                                     | 1    |
| 20                 | SD-015-20       | Self-Tapping Screw 10-32 x 3/8 Phil. Pan Hd., Type TT .....     | 1    |
| 21                 | WL-007-12       | Lockwasher #10 External Shakeproof .....                        | 2    |
| 22                 | 00-118544-00001 | Lug – Solderless .....  | 1    |
| 23                 | SD-015-20       | Self-Tapping Screw 10-32 x 3/8 Phil. Pan Hd., Type TT .....     | 2    |
| 24                 | 00-274032       | Bracket – Capacitor (Motor Run) .....                           | 1    |
| 25                 | 00-274033       | Nut – Well (Component Bracket) .....                            | 2    |
| 26                 | SC-060-85       | Mach. Screw 10-24 x 1 Rd. Hd. ....                              | 2    |
| 27                 | WL-007-12       | Lockwasher #10 External Shakeproof .....                        | 2    |
| 28                 | SD-015-20       | Self-Tapping Screw 10-32 x 3/8 Phil. Pan Hd., Type TT .....     | 1    |
| 29                 | 00-078752-00009 | Clamp – Cable .....   | 1    |
| 30                 | SD-015-20       | Self-Tapping Screw 10-32 x 3/8 Phil. Pan Hd., Type TT .....     | 2    |
| 31                 | 00-087525-00669 | Lead Wire Assy. ....  | 1    |
|                    | 00-113703       | Cable Tie .....   | AR   |

\* Give Elec. Spec., Mach. Model, & Motor Type



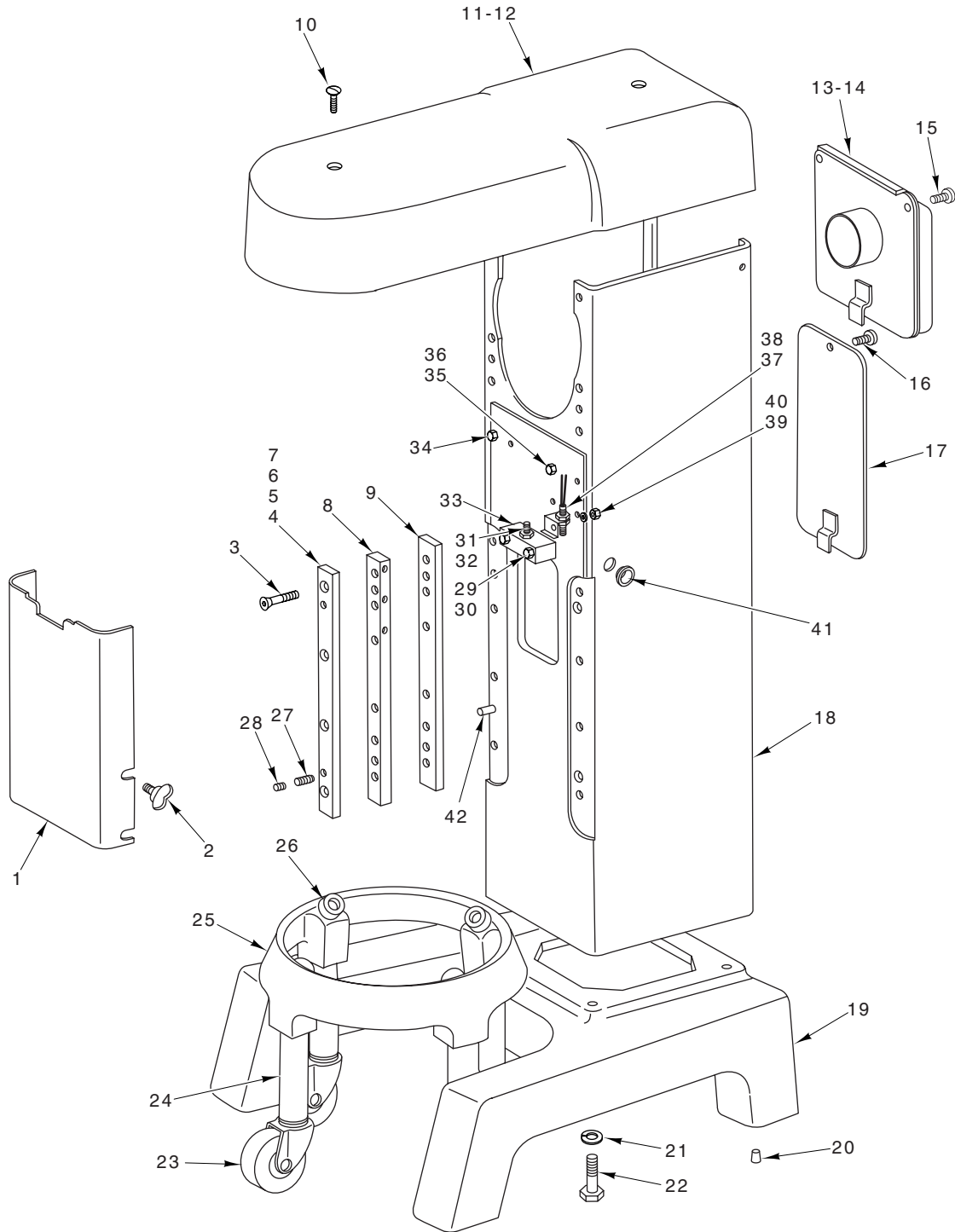
**ELECTRICAL COMPONENT PANEL – 3 PHASE**

**ELECTRICAL COMPONENT PANEL – 3 PHASE**

| ILLUS. | PART NO.        | NAME OF PART   | AMT. |
|--------|-----------------|--|------|
|        | PL-55620        |  |      |
| 1      | 00-274031       | Bracket – Support (Component Panel) .....                      | 1    |
| 2      | 00-087713-102-1 | Contactor (208/240 V., 60 Hz., 3 Ph.) (30 Amp.) (3 Pole) ..... | 1    |
| 3      | 00-087713-102-2 | Contactor (480 V., 60 Hz., 3 Ph.) (30 Amp.) (3 Pole) .....     | 1    |
| 4      | SD-015-20       | Self-Tapping Screw 10-32 x 3/8 Phil. Pan Hd., Type TT .....    | 2    |
| 5      | 00-274027       | Panel – Component Mounting .....                               | 1    |
| 6      | 00-078752-00009 | Clamp – Cable .....  | 1    |
| 7      | SD-015-20       | Self-Tapping Screw 10-32 x 3/8 Phil. Pan Hd., Type TT .....    | 1    |
| 8      | 00-088196-005-1 | Relay – Thermal Overload (3 Ph.) .....                         | 1    |
| 9      | *               | Heater Element (Overload Relay) .....                          | AR   |
| 10     | SC-060-03       | Mach. Screw 10-24 x 3/4 Rd. Hd. ....                           | 1    |
| 11     | WL-007-12       | Lockwasher #10 External Shakeproof .....                       | 1    |
| 12     | SD-015-20       | Self-Tapping Screw 10-32 x 3/8 Phil. Pan Hd., Type TT .....    | 2    |
| 13     | SD-033-72       | Self-Tapping Screw 10-24 x 7/8 Phil. Pan Hd., Type TT .....    | 2    |
| 14     | 00-271336       | Terminal Block .....   | 1    |
| 15     | SD-015-20       | Self-Tapping Screw 10-32 x 3/8 Phil. Pan Hd., Type TT .....    | 1    |
| 16     | 00-078752-00009 | Clamp – Cable .....  | 1    |
| **17   | 00-294436-00003 | Block – Fuse .....   | 1    |
| **18   | FE-009-25       | Fuse (0.5 Amp.) .....  | 1    |
| **19   | SD-015-38       | Self-Tapping Screw 6-32 x 3/8 Phil. Pan Hd., Type TT .....     | 1    |
| **20   | SD-015-20       | Self-Tapping Screw 10-32 x 3/8 Phil. Pan Hd., Type TT .....    | 2    |
| 21     | SD-015-20       | Self-Tapping Screw 10-32 x 3/8 Phil. Pan Hd., Type TT .....    | 1    |
| 22     | WL-007-12       | Lockwasher #10 External Shakeproof .....                       | 2    |
| 23     | 00-118544-00001 | Lug – Solderless .....   | 1    |
| **24   | 00-101935       | Transformer .....  | 1    |
| 25     | 00-274033       | Nut – Well (Component Bracket) .....                           | 2    |
| 26     | SC-060-85       | Mach. Screw 10-24 x 1 Rd. Hd. ....                             | 2    |
| 27     | WL-007-12       | Lockwasher #10 External Shakeproof .....                       | 2    |
| 28     | SD-015-20       | Self-Tapping Screw 10-32 x 3/8 Phil. Pan Hd., Type TT .....    | 1    |
| 29     | 00-078752-00009 | Clamp – Cable .....  | 1    |
| 30     | SD-015-20       | Self-Tapping Screw 10-32 x 3/8 Phil. Pan Hd., Type TT .....    | 2    |
| 31     | 00-087525-00669 | Lead Wire Assy. ....   | 1    |
|        | 00-113703       | Cable Tie .....  | AR   |

\*Give Elec. Spec., Mach. Model, & Motor Type.

\*\*Above 250 V. Machines.



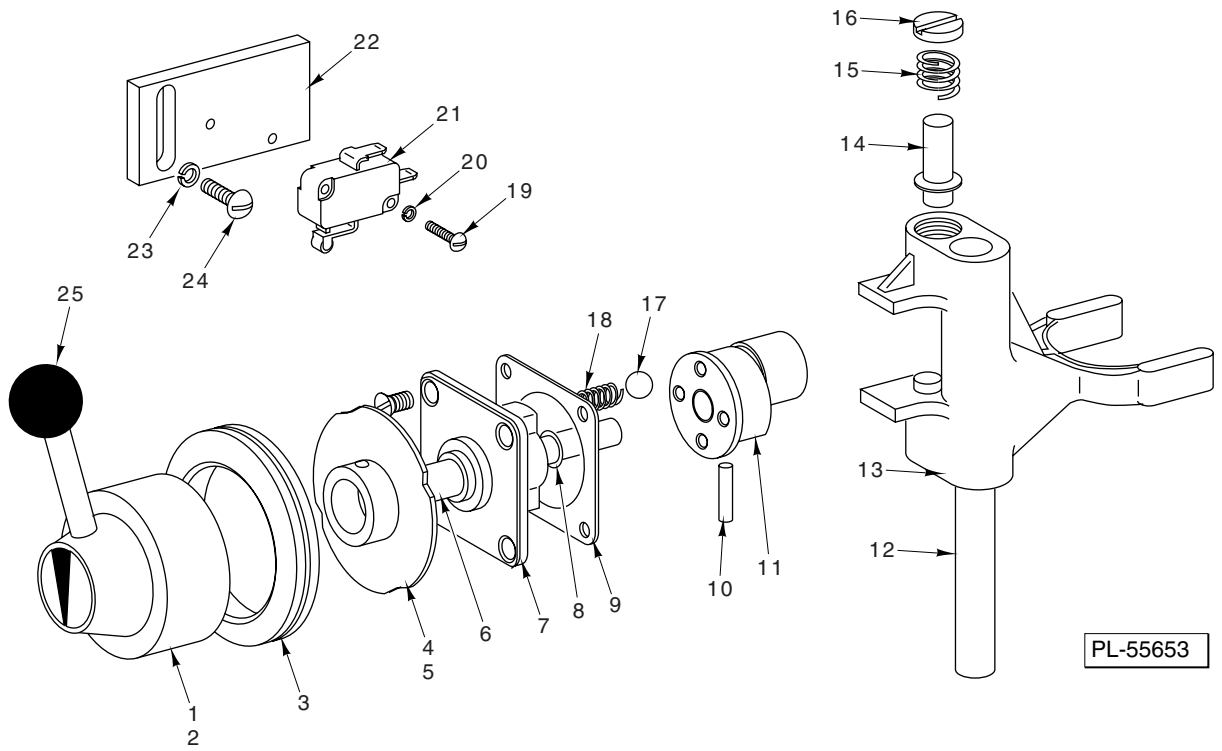
PL-55649

**BASE AND PEDESTAL**



**BASE AND PEDESTAL**

| ILLUS.<br>PL-55649 | PART NO.        | NAME OF PART  | AMT. |
|--------------------|-----------------|---|------|
| 1                  | 00-437824       | Cover – Bowl Support .....  | 1    |
| 2                  | 00-070641-00001 | Thumb Screw .....   | 4    |
| 3                  | SC-061-06       | Cap Screw <sup>5</sup> / <sub>16</sub> -18 x 1 <sup>3</sup> / <sub>4</sub> Flat Hd. ....        | 8    |
| 4                  | 00-271257       | Gib – Upper .....   | 2    |
| 5                  | 00-271265-00001 | Shim – Gib (0.003 Thk.) .....   | AR   |
| 6                  | 00-271265-00002 | Shim – Gib (0.005 Thk.) .....   | AR   |
| 7                  | 00-271265-00003 | Shim – Gib (0.010 Thk.) .....   | AR   |
| 8                  | 00-271262       | Gib – Center .....  | 2    |
| 9                  | 00-271260       | Gib – Lower .....   | 2    |
| 10                 | SC-023-19       | Mach. Screw <sup>1</sup> / <sub>4</sub> -20 x <sup>3</sup> / <sub>4</sub> Oval Hd. (SST) .....  | 2    |
| 11                 | 00-274038       | Cover – Top Assy. (Incls. Item 12) .....  | 1    |
| 12                 | 00-123687-00007 | Gasket .....  | 1    |
| 13                 | 00-274668       | Vent – Air Intake (1 Phase) .....   | 1    |
| 14                 | 00-271300-00001 | Vent – Air Intake (3 Phase) (Not Shown) .....   | 1    |
| 15                 | SC-053-41       | Mach. Screw <sup>1</sup> / <sub>4</sub> -20 x <sup>1</sup> / <sub>2</sub> Truss Hd. (SST) ..... | 2    |
| 16                 | SC-053-41       | Mach. Screw <sup>1</sup> / <sub>4</sub> -20 x <sup>1</sup> / <sub>2</sub> Truss Hd. (SST) ..... | 1    |
| 17                 | 00-271299-00001 | Cover – Lift Mechanism .....  | 1    |
| 18                 | 00-271284-00002 | Pedestal .....  | 1    |
| 19                 | 00-271227-002-2 | Base Assy. ....   | 1    |
| 20                 | 00-110717-00003 | Plug – Base Assy. (Contains Four Plugs in a Bag) .....  | 1    |
| 21                 | WL-004-11       | Lockwasher <sup>1</sup> / <sub>2</sub> Medium .....   | 4    |
| 22                 | SC-120-28       | Cap Screw <sup>1</sup> / <sub>2</sub> -13 x 2 Hex Hd. ....                                      | 4    |
| 23                 | 00-087668-00002 | Caster .....  | 4    |
| 24                 | 00-070590-00001 | Leg (6 Lg.) (30 Qt.) .....  | 4    |
| 25                 | 00-315015       | Bowl Truck Assy. (Incls. Items 23, 24, & 26) .....  | 1    |
| 26                 | 00-018682-00001 | Bumper .....  | 4    |
| 27                 | SC-112-65       | Set Screw <sup>5</sup> / <sub>16</sub> -18 x <sup>3</sup> / <sub>4</sub> Hdls., Cone Pt. ....   | 2    |
| 28                 | SC-047-30       | Set Screw <sup>5</sup> / <sub>16</sub> -18 x <sup>5</sup> / <sub>16</sub> Hdls., Flat Pt. ....  | 2    |
| 29                 | SC-036-11       | Cap Screw <sup>1</sup> / <sub>4</sub> -20 x 2 Hex Hd. ....                                      | 2    |
| 30                 | WL-006-16       | Lockwasher <sup>1</sup> / <sub>4</sub> Light .....  | 2    |
| 31                 | SC-109-85       | Set Screw <sup>5</sup> / <sub>16</sub> -18 x 1 <sup>1</sup> / <sub>2</sub> Hdls., Oval Pt. .... | 1    |
| 32                 | NS-017-08       | Jam Nut <sup>5</sup> / <sub>16</sub> -18 Hex .....  | 1    |
| 33                 | 00-271267       | Block – Stop .....  | 1    |
| 34                 | SC-063-33       | Set Screw <sup>3</sup> / <sub>8</sub> -16 x <sup>3</sup> / <sub>8</sub> Hdls., Flat Pt. ....    | 2    |
| 35                 | SC-036-06       | Cap Screw <sup>1</sup> / <sub>4</sub> -20 x 1 Hex Hd .....                                      | 4    |
| 36                 | WL-006-16       | Lockwasher <sup>1</sup> / <sub>4</sub> Light .....  | 4    |
| 37                 | 00-087711-306-1 | Switch – Bowl Height Sensing .....  | 1    |
| 38                 | 00-438577       | Bracket – Sensor .....  | 1    |
| 39                 | WL-006-16       | Lockwasher <sup>1</sup> / <sub>4</sub> Light (Use to Mount Item 38) (SST) .....                 | 1    |
| 40                 | NS-013-02       | Nut <sup>1</sup> / <sub>4</sub> -20 Hex (Use to Mount Item 38) .....                            | 1    |
| 41                 | 00-271343       | Grommet – Handle .....  | 1    |
| 42                 | 00-011800-00118 | Dowel .....   | 2    |

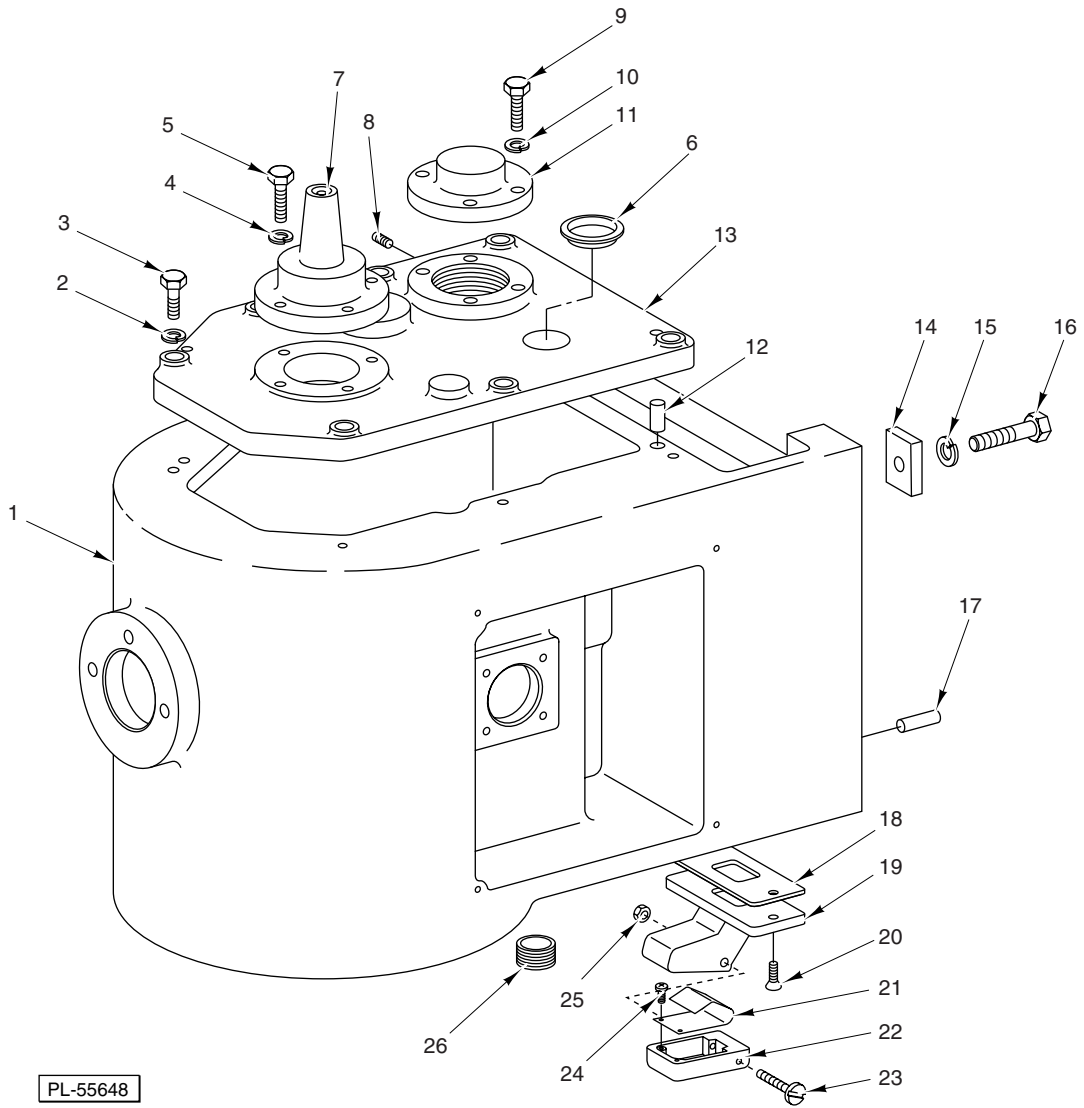


PL-55653

SHIFTER UNIT

SHIFTER UNIT

| ILLUS.<br>PL-55653 | PART NO.        | NAME OF PART                                    | AMT. |
|--------------------|-----------------|---|------|
| 1                  | SC-047-17       | Set Screw 1/4-20 x 3/4 Hdls., Cup Pt. ....      | 1    |
| 2                  | 00-291272       | Shifter Handle Assy. (Incls. Items 1 & 25) .... | 1    |
| 3                  | 00-110961       | Grommet – Shifter Handle .....                  | 1    |
| 4                  | 00-271276       | Cam – Interlock Assy. ....                      | 1    |
| 5                  | SC-047-70       | Set Screw 10-32 x 3/8 Hdls., Cup Pt. ....       | 1    |
| 6                  | 00-875238       | Shaft – Shifter .....                           | 1    |
| 7                  | 00-290115-00001 | Plate – Index .....                             | 1    |
| 8                  | 00-067500-00044 | O-Ring .....                                    | 1    |
| 9                  | 00-023946       | Gasket – Index Plate .....                      | 1    |
| 10                 | PS-003-08       | Spiral Pin 1/8 Dia. x 3/4 Lg. ....              | 1    |
| 11                 | 00-873504       | Cam – Gear Shifter .....                        | 1    |
| 12                 | 00-271291       | Rod – Shifter Guide .....                       | 1    |
| 13                 | 00-271245-00002 | Yoke – Shifter .....                            | 1    |
| 14                 | 00-012733       | Plunger – Shifter Yoke .....                    | 2    |
| 15                 | 00-012734       | Spring – Shifter Yoke .....                     | 2    |
| 16                 | 00-012732       | Retainer – Shifter Yoke Spring .....            | 2    |
| 17                 | BA-002-09       | Ball 1/4 Dia. ....                              | 2    |
| 18                 | 00-111170       | Spring – Detent .....                           | 2    |
| 19                 | SC-021-05       | Mach. Screw 4-40 x 5/8 Rd. Hd. (SST) .....      | 2    |
| 20                 | WL-003-01       | Lockwasher #4 Light .....                       | 2    |
| 21                 | 00-271315       | Switch – Interlock (10 Amp., 250 VAC) .....     | 1    |
| 22                 | 00-271277       | Plate – Switch Mounting .....                   | 1    |
| 23                 | WL-003-20       | Lockwasher #10 Light .....                      | 2    |
| 24                 | SC-009-25       | Mach. Screw 10-24 x 5/8 Rd. Hd. ....            | 2    |
| 25                 | 00-070085       | Knob – Shifter Handle Ball .....                | 1    |

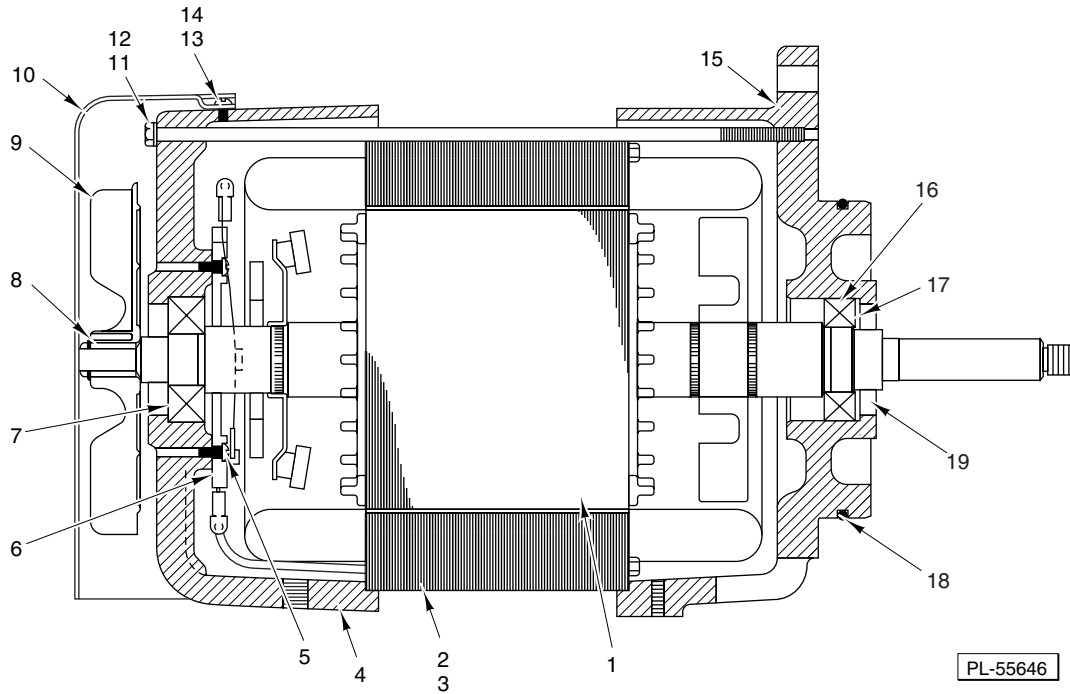


PL-55648

**TRANSMISSION CASE**

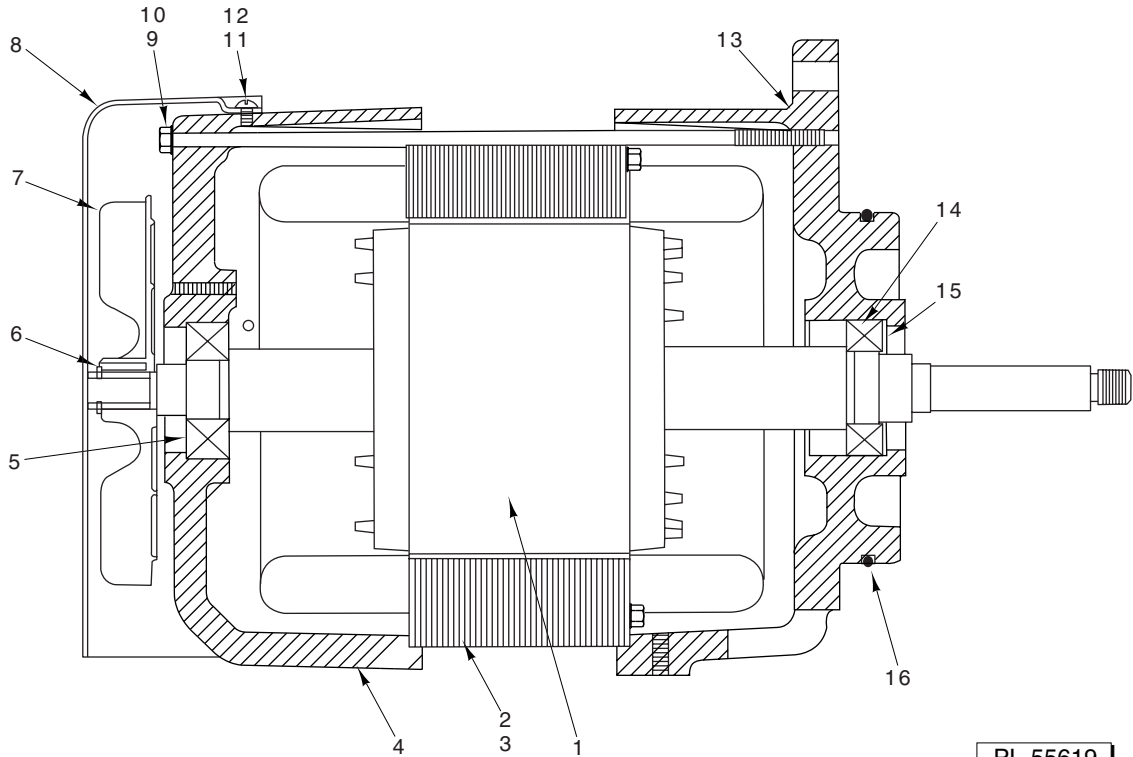
**TRANSMISSION CASE**

| ILLUS.   | PART NO.        | NAME OF PART   | AMT. |
|----------|-----------------|--|------|
| PL-55648 |                 |  |      |
| 1        | 00-271206-002-2 | Case – Transmission .....  | 1    |
| 2        | WL-003-44       | Lockwasher <sup>5</sup> / <sub>16</sub> Medium .....                                   | 7    |
| 3        | SC-120-38       | Cap Screw <sup>5</sup> / <sub>16</sub> -18 x 1 Hex Hd. ....                            | 7    |
| 4        | WL-003-37       | Lockwasher <sup>1</sup> / <sub>4</sub> Medium .....                                    | 4    |
| 5        | SC-036-06       | Cap Screw <sup>1</sup> / <sub>4</sub> -20 x 1 Hex Hd. ....                             | 4    |
| 6        | 00-064871       | Plug – Friction .....  | 1    |
| 7        | 00-271222-00002 | Retainer – Bearing (Planetary Shaft) .....   | 1    |
| 8        | SC-047-70       | Set Screw 10-32 x <sup>3</sup> / <sub>8</sub> Hds., Cup Pt. ....                       | 2    |
| 9        | SC-036-06       | Cap Screw <sup>1</sup> / <sub>4</sub> -20 x 1 Hex Hd. ....                             | 4    |
| 10       | WL-003-37       | Lockwasher <sup>1</sup> / <sub>4</sub> Medium .....                                    | 4    |
| 11       | 00-271225-00002 | Retainer – Bearing (Worm Gear Shaft) .....   | 1    |
| 12       | 00-011800-00249 | Dowel .....  | 2    |
| 13       | 00-271218-002-1 | Transmission Case Cover Assy. ....   | 1    |
| 14       | 00-271340       | Bar – Reinforcing .....  | 6    |
| 15       | WL-004-06       | Lockwasher <sup>3</sup> / <sub>8</sub> Medium .....                                    | 6    |
| 16       | SC-116-83       | Cap Screw <sup>3</sup> / <sub>8</sub> -16 x 1 <sup>1</sup> / <sub>2</sub> Hex Hd. .... | 6    |
| 17       | 00-011800-00118 | Dowel .....  | 2    |
| 18       | 00-437809       | Gasket – Reed Housing .....  | 1    |
| 19       | 00-437793-00002 | Housing – Reed .....   | 1    |
| 20       | SC-022-22       | Mach. Screw 10-24 x <sup>3</sup> / <sub>4</sub> Flat Hd. (SST) .....                   | 2    |
| 21       | 00-437435       | Spring – Reed Switch .....   | 1    |
| 22       | 00-08711-304-1  | Housing – Reed Switch .....  | 1    |
| 23       | SC-122-48       | Mach. Screw 8-32 x 1 <sup>3</sup> / <sub>4</sub> Rd. Hd. (SST) .....                   | 1    |
| 24       | SC-018-50       | Mach. Screw 6-32 x <sup>1</sup> / <sub>4</sub> Pan Hd. ....                            | 2    |
| 25       | NS-031-08       | Nut – Stop Special 8 x 32 Hex (SST) .....  | 1    |
| 26       | FP-085-17       | Pipe Plug <sup>5</sup> / <sub>8</sub> Hex Socket .....                                 | 1    |
|          | 00-068288       | Shim (Between Trans. Case & Pedestal) (Not Shown) .....                                | AR   |



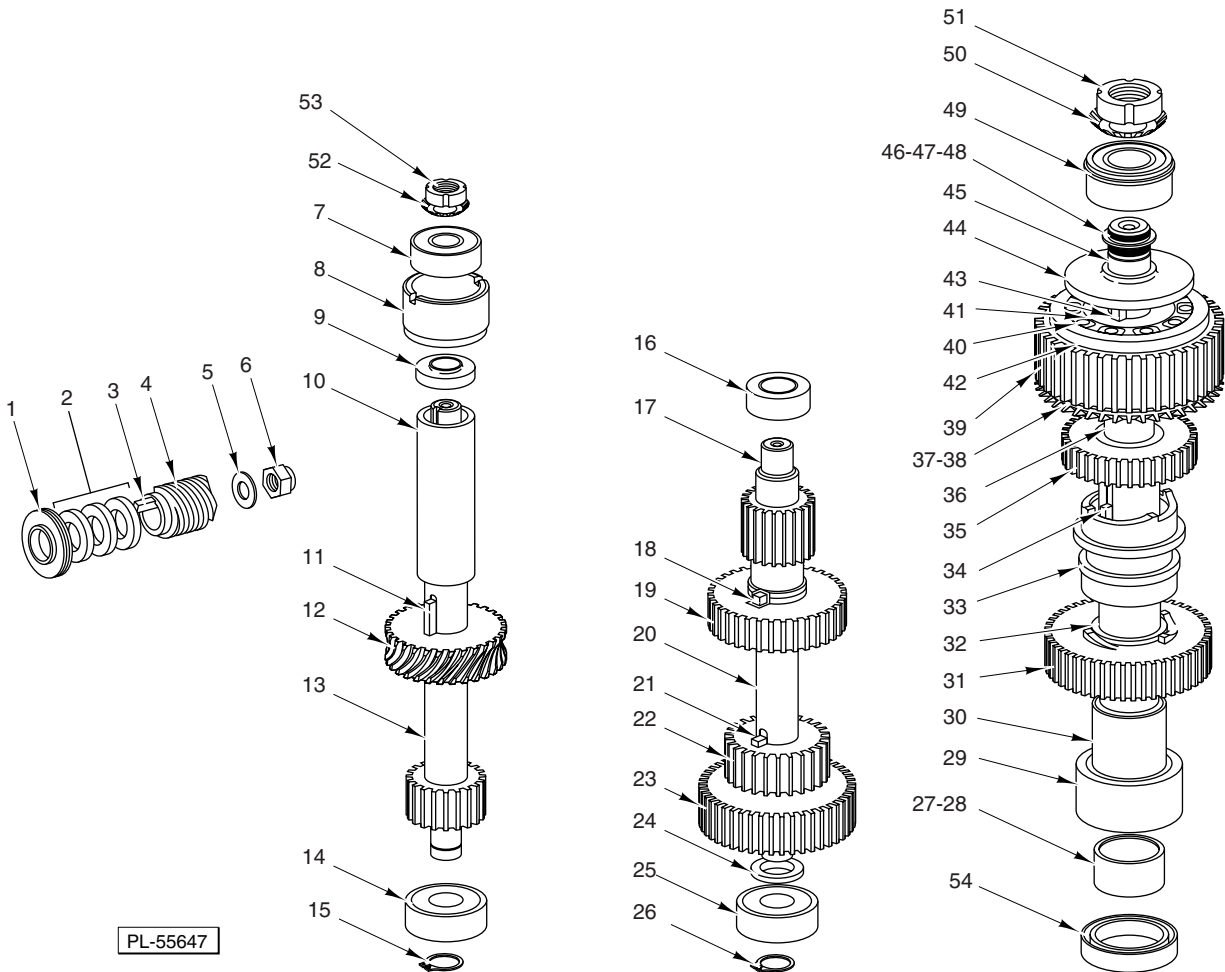
**MOTOR PARTS – 1 PHASE**

| ILLUS. | PART NO.        | NAME OF PART                              | AMT. |
|--------|-----------------|---|------|
|        | PL-55646        |   |      |
| 1      | 00-022275-00276 | Rotor Assy. (1 Phase) .....               | 1    |
| 2      | 00-065477-162-1 | Stator Assy. (120/240 V., 60 Hz.) .....   | 1    |
| 3      | 00-065477-162-2 | Stator Assy. (208 V., 60 Hz.) .....       | 1    |
| 4      | 00-435867-00002 | Housing – Motor (Rear) .....              | 1    |
| 5      | SC-009-49       | Mach. Screw 6-32 x 3/8 Rd. Hd. ....       | 2    |
| 6      | 00-121110       | Switch – Starting (Stationary Part) ..... | 1    |
| 7      | BB-005-34       | Ball Bearing .....                        | 1    |
| 8      | RR-011-05       | Retaining Ring .....                      | 1    |
| 9      | 00-292466-00001 | Fan – Ventilating .....                   | 1    |
| 10     | 00-435868       | Shroud – Motor .....                      | 1    |
| 11     | 00-271335-00001 | Bolt – Motor (Single Phase) .....         | 4    |
| 12     | WL-003-22       | Lockwasher #10 Light .....                | 4    |
| 13     | SC-018-34       | Mach. Screw 8-32 x 1/2 Phil. Pan Hd. .... | 3    |
| 14     | WL-003-12       | Lockwasher #8 Medium .....                | 3    |
| 15     | 00-873505-00002 | Housing – Motor (Front) .....             | 1    |
| 16     | BB-015-08       | Ball Bearing .....                        | 1    |
| 17     | SL-005-04       | Spring – Loading .....                    | 1    |
| 18     | OR-001-01       | O-Ring .....                              | 1    |
| 19     | 00-873508       | Oil Seal .....                            | 1    |
|        | 00-275152       | Shim .....                                | AR   |
|        | 00-271255-00003 | Motor Assy. (120/230 V., 60 Hz.) .....    | 1    |
|        | 00-271255-00004 | Motor Assy. (208 V., 60 Hz.) .....        | 1    |



**MOTOR PARTS – 3 PHASE**

| ILLUS.   | PART NO.        | NAME OF PART   | AMT. |
|----------|-----------------|--|------|
| PL-55619 |                 |  |      |
| 1        | 00-015747-00312 | Rotor Assy. (3 Phase) .....  | 1    |
| 2        | 65478-184-1     | Stator Assy. (208 V., 60 Hz.) .....                                      | 1    |
| 3        | 65478-184-2     | Stator Assy. (240/480 V., 60 Hz.) .....                                  | 1    |
| 4        | 00-435867-00002 | Housing – Motor (Rear) .....   | 1    |
| 5        | BB-005-34       | Ball Bearing (N.D. #Z99504) .....  | 1    |
| 6        | RR-011-5        | Retaining Ring .....   | 1    |
| 7        | 00-292466-00001 | Fan – Ventilating .....  | 1    |
| 8        | 00-435868       | Shroud – Motor .....   | 1    |
| 9        | 00-271335-00002 | Bolt – Motor (3 Phase) .....   | 4    |
| 10       | WL-003-22       | Lockwasher #10 Light .....   | 4    |
| 11       | SC018-34        | Mach. Screw 8-32 x 1/2 Phil. Pan Hd. ....                                | 3    |
| 12       | WL-003-12       | Lockwasher #8 Medium .....   | 3    |
| 13       | 00-271254-00002 | Housing – Motor (Front) .....  | 1    |
| 14       | BB-015-08       | Ball Bearing (MRC 105KSZZ-01-ST-A-92-C) .....                            | 1    |
| 15       | SL-005-04       | Spring – Loading .....   | 1    |
| 16       | OR-001-01       | O-Ring .....   | 1    |
|          | 00-275152       | Shim .....   | AR   |
|          | 00-271256-00003 | Motor Assy. (208 V., 60 Hz.) (For Service Use 00-875334-00001) .....     | 1    |
|          | 00-875334-00001 | Motor Assy. (208 V., 60 Hz.) (Replacement for 00-271256-00003) .....     | 1    |
|          | 00-271256-00004 | Motor Assy. (240/480 V., 60 Hz.) (For Service Use 00-875334-00002) ..... | 1    |
|          | 00-875334-00002 | Motor Assy. (240/480 V., 60 Hz.) (Replacement for 00-271256-00004) ..... | 1    |

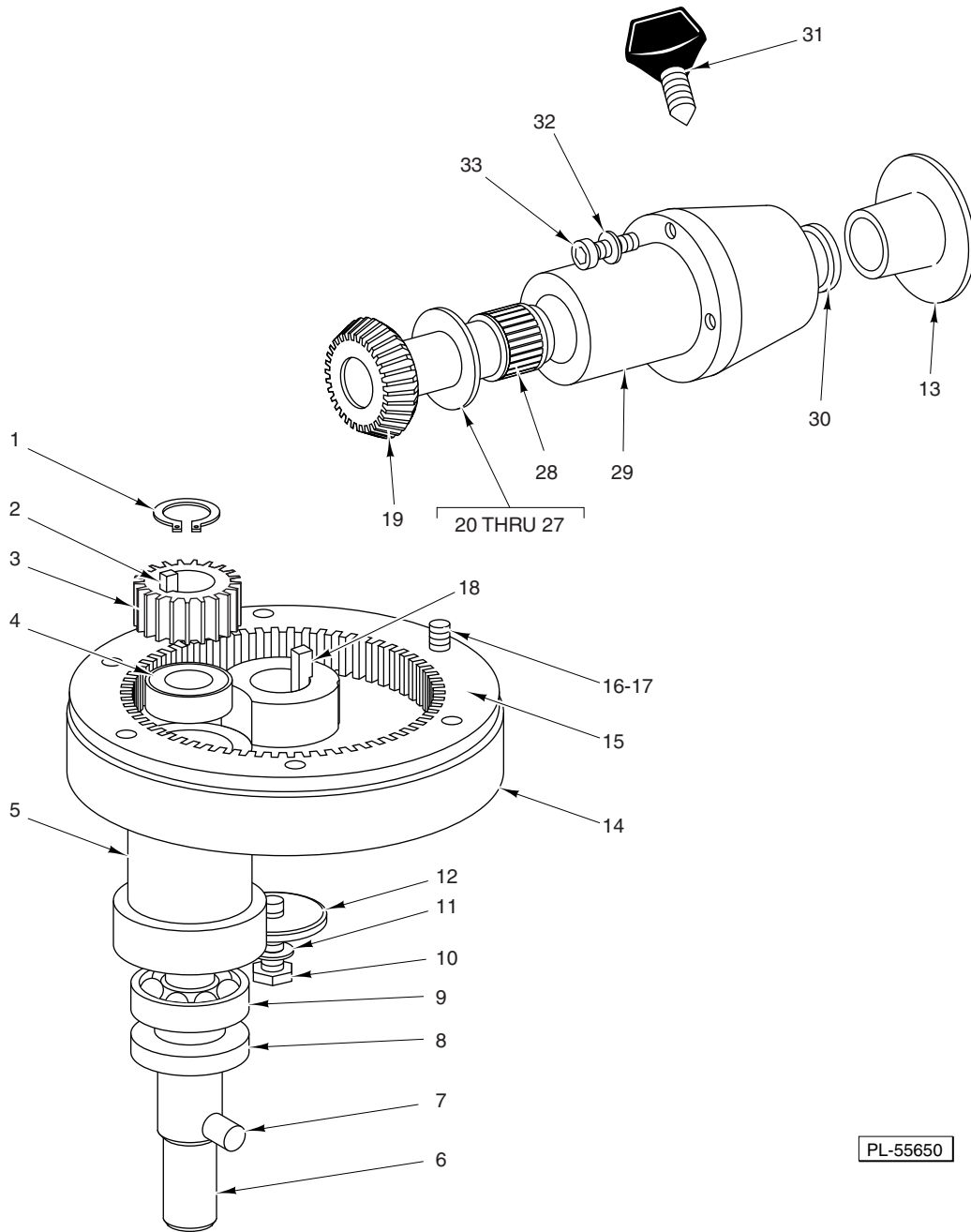


TRANSMISSION



**TRANSMISSION**

| ILLUS.<br>PL-55647 | PART NO.        | NAME OF PART  | AMT. |
|--------------------|-----------------|---|------|
| 1                  | 00-271253       | Deflector – Grease .....  | 1    |
| 2                  | 00-077840       | Washer – Belleville .....   | 6    |
| 3                  | 00-012430-00069 | Key <sup>3</sup> / <sub>16</sub> Sq. x 1 <sup>39</sup> / <sub>64</sub> Lg. .... | 1    |
| 4                  | 00-271243       | Worm (5T) (60 Hz.) .....  | 1    |
| 5                  | WS-021-01       | Washer (SST) .....  | 1    |
| 6                  | NS-047-99       | Lock Nut <sup>7</sup> / <sub>16</sub> -20 .....                                 | 1    |
| 7                  | BB-021-21       | Ball Bearing .....  | 1    |
| 8                  | 00-271301       | Sleeve – Worm Gear .....  | 1    |
| 9                  | 00-271281       | Spacer (Top of Worm Gear) .....   | 1    |
| 10                 | 00-271280       | Spacer (Worm Gear) .....  | 1    |
| 11                 | 00-012430-00151 | Key <sup>1</sup> / <sub>4</sub> Sq. x 1 <sup>5</sup> / <sub>16</sub> Lg. ....   | 1    |
| 12                 | 00-271244       | Gear – Worm (29T) (60 Hz.) .....  | 1    |
| 13                 | 00-271242       | Shaft – Worm Gear .....   | 1    |
| 14                 | BB-020-06       | Ball Bearing (Fafnir 204K DFA51580) .....                                       | 1    |
| 15                 | RR-004-07       | Retaining Ring .....  | 1    |
| 16                 | BB-005-46       | Ball Bearing (Fafnir 204K DDFS50545) .....                                      | 1    |
| 17                 | 00-271238       | Shaft – Transmission .....  | 1    |
| 18                 | 00-012430-00138 | Key <sup>1</sup> / <sub>4</sub> Sq. x <sup>3</sup> / <sub>4</sub> Lg. ....      | 1    |
| 19                 | 00-271239       | Gear (36T) .....  | 1    |
| 20                 | 00-271282       | Spacer .....  | 1    |
| 21                 | 00-012430-00152 | Key <sup>1</sup> / <sub>4</sub> Sq. x 1 <sup>13</sup> / <sub>16</sub> Lg. ....  | 1    |
| 22                 | 00-271240       | Gear (27T) .....  | 1    |
| 23                 | 00-271241       | Gear (44T) .....  | 1    |
| 24                 | 00-271283       | Spacer – Lower Center Shaft .....   | 1    |
| 25                 | BB-020-06       | Ball Bearing (Fafnir 204K DFA51580) .....                                       | 1    |
| 26                 | RR-004-07       | Retaining Ring .....  | 1    |
| 27                 | 00-067500-00070 | O-Ring .....  | 1    |
| 28                 | 00-437599       | Seal – Hub .....  | 1    |
| 29                 | BB-015-36       | Ball Bearing – Hoover (NSK 6007 DDUCE1SRIS) .....                               | 1    |
| 30                 | 00-271278       | Spacer – Lower Planetary Shaft .....  | 1    |
| 31                 | 00-271237       | Gear – Lower Clutch (46T) .....   | 1    |
| 32                 | 00-271287       | Bearing – Lower Clutch Gear .....   | 1    |
| 33                 | 00-271226-00002 | Sleeve – Clutch .....   | 1    |
| 34                 | 00-012430-00182 | Key <sup>1</sup> / <sub>4</sub> Sq. x 2 Lg. ....                                | 2    |
| 35                 | 00-271236       | Gear – Upper Clutch (33T) .....   | 1    |
| 36                 | 00-271285       | Bearing – Upper Clutch Drive .....  | 1    |
| 37                 | 00-271234       | Gear – Bevel (45T) .....  | 1    |
| 38                 | 00-271234-00002 | Gear – Bevel (45T) (Starting with Serial No. 31-1101-889, 01/13/97) .....       | 1    |
| 39                 | 00-271233       | Gear – Roller Clutch (SST) .....  | 1    |
| 40                 | 00-271289       | Spring – Roller .....   | 10   |
| 41                 | 00-271288       | Roller – Clutch .....   | 10   |
| 42                 | 00-271279       | Sleeve – Drive .....  | 1    |
| 43                 | 00-109070-00028 | Key .....   | 1    |
| 44                 | 00-271286       | Spacer – Planetary Shaft .....  | 1    |
| 45                 | 00-271229       | Planetary Shaft .....   | 1    |
| 46                 | WS-030-25       | Washer (0.002 Thk.) .....   | AR   |
| 47                 | WS-030-26       | Washer (0.003 Thk.) .....   | AR   |
| 48                 | WS-030-27       | Washer (0.010 Thk.) .....   | AR   |
| 49                 | BB-021-22       | Ball Bearing (SKF 5205A2ZNR3) .....   | 1    |
| 50                 | WL-012-06       | Lockwasher N.D. #W-05 .....   | 1    |
| 51                 | NS-034-06       | Lock Nut – Bearing .....  | 1    |
| 52                 | WL-012-04       | Lockwasher .....  | 1    |
| 53                 | NS-034-04       | Lock Nut .....  | 1    |
| 54                 | 00-271341       | Seal – Planetary Shaft .....  | 1    |
|                    | 00-437603       | Planetary Shaft & Gear Assy. (Incls. Items 27 thru 32 & 45) .....               | 1    |
|                    | 00-274039       | Center Shaft Assy. (Incls. Items 16 thru 26) .....                              | 1    |

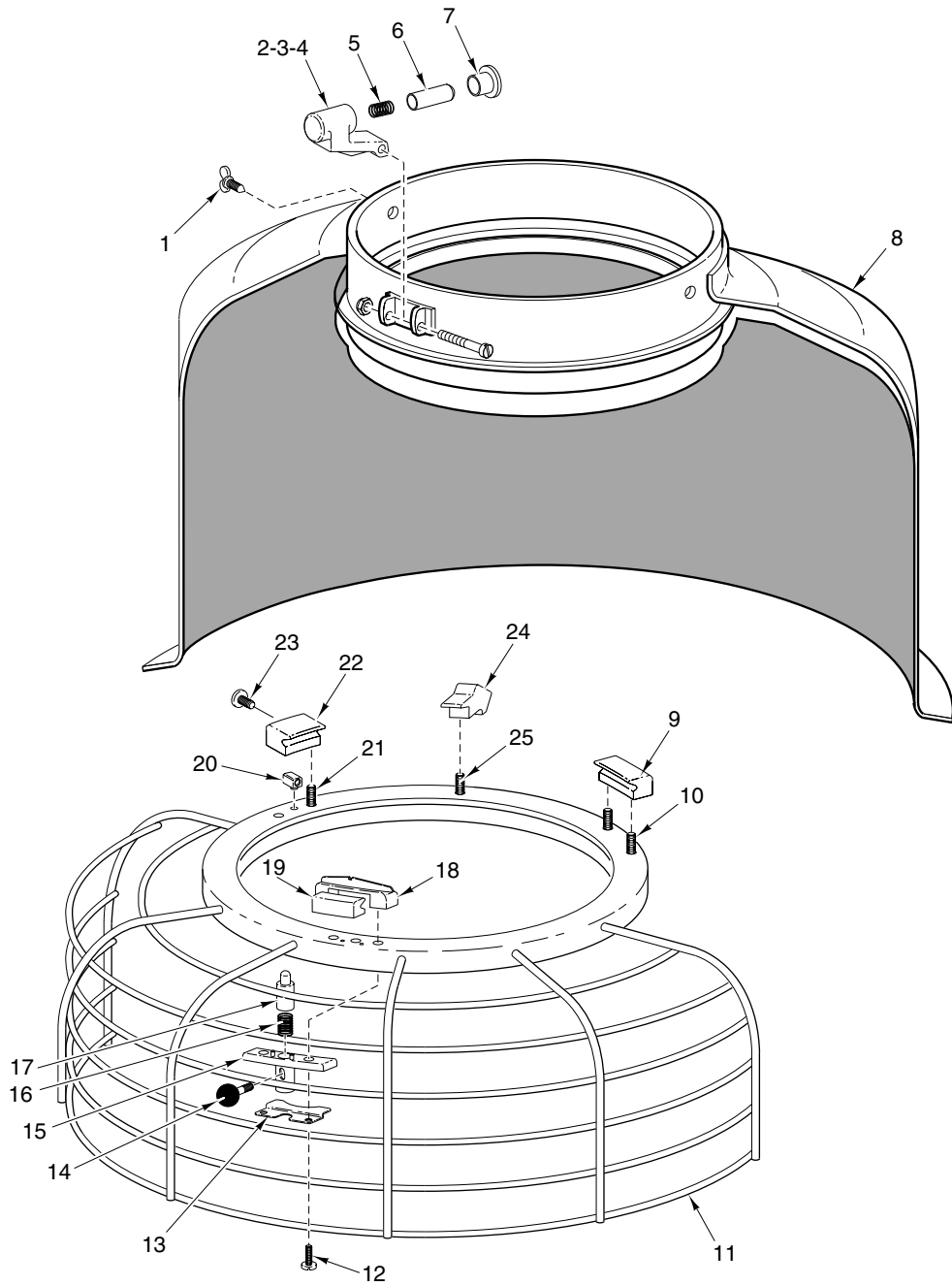


PL-55650

**PLANETARY AND ATTACHMENT HUB**

**PLANETARY AND ATTACHMENT HUB**

| ILLUS.<br>PL-55650 | PART NO.        | NAME OF PART  | AMT. |
|--------------------|-----------------|---|------|
| 1                  | RR-009-19       | Retaining Ring .....                                    | 1    |
| 2                  | 00-012430-00180 | Key 1/4 Sq. x 1 3/8 Lg. ....                            | 1    |
| 3                  | 00-435548       | Pinion – Agitator Shaft (18T) .....                     | 1    |
| 4                  | BB-021-34       | Ball Bearing .....                                      | 1    |
| 5                  | 00-438240-00002 | Planetary (Painted) .....                               | 1    |
| 6                  | 00-438229       | Agitator Shaft Assy. (Incls. Item 7) .....              | 1    |
| 7                  | 00-070019       | Pin – Agitator .....                                    | 1    |
| 8                  | 00-439286       | Seal – Agitator Shaft .....                             | 1    |
| 9                  | BB-021-35       | Ball Bearing .....                                      | 1    |
| 10                 | SC-062-58       | Cap Screw 3/8-24 x 1 1/4 Hex Hd. ....                   | 1    |
| 11                 | WL-006-27       | Lockwasher 3/8 Light (SST) .....                        | 1    |
| 12                 | 00-070047-00001 | Washer – Planetary .....                                | 1    |
| 13                 | 00-114824-00001 | Plug – Attachment Hub .....                             | 1    |
| 14                 | 00-437708       | Cup – Planetary Drip .....                              | 1    |
| 15                 | 00-439291-00002 | Gear – Internal (59T) .....                             | 1    |
| 16                 | SC-089-19       | Cap Screw 5/16-18 x 1 3/8 Soc. Hex Hd. ....             | 6    |
| 17                 | WL-003-48       | Lockwasher 5/16 High Collar .....                       | 6    |
| 18                 | 00-012430-00173 | Key 1/4 Sq. x 2 1/4 Lg. ....                            | 1    |
| 19                 | 00-271324-00002 | Attachment Drive Gear (34T) & Expansion Plug Assy. .... | 1    |
| 20                 | 00-070045-00002 | Washer – Thrust (0.119 Thk.) .....                      | AR   |
| 21                 | 00-070045-00003 | Washer – Thrust (0.121 Thk.) .....                      | AR   |
| 22                 | 00-070045-00004 | Washer – Thrust (0.123 Thk.) .....                      | AR   |
| 23                 | 00-070045-00005 | Washer – Thrust (0.127 Thk.) .....                      | AR   |
| 24                 | 00-070045-00001 | Washer – Thrust (0.125 Thk.) .....                      | AR   |
| 25                 | 00-070045-00006 | Washer – Thrust (0.129 Thk.) .....                      | AR   |
| 26                 | BN-005-09       | Needle Bearing (Torrington TRB 1828) .....              | 1    |
| 27                 | BN-005-10       | Needle Bearing (Torrington NTA-1828) .....              | 1    |
| 28                 | BN-002-12       | Needle Bearing .....                                    | 2    |
| 29                 | 00-070511-00003 | Attachment Hub & Bearing Assy. (Incls. Item 28) .....   | 1    |
| 30                 | 00-070090       | Seal – Attachment Hub .....                             | 1    |
| 31                 | 00-108197-00001 | Thumb Screw .....                                       | 1    |
| 32                 | WL-003-43       | Lockwasher 5/16 Light .....                             | 3    |
| 33                 | SC-040-50       | Cap Screw 5/16-18 x 2 1/4 Soc. Hex Hd. ....             | 3    |
|                    | 00-438230       | Planetary Assy. (Incls. Items 1 thru 6, 8, & 9) .....   | 1    |

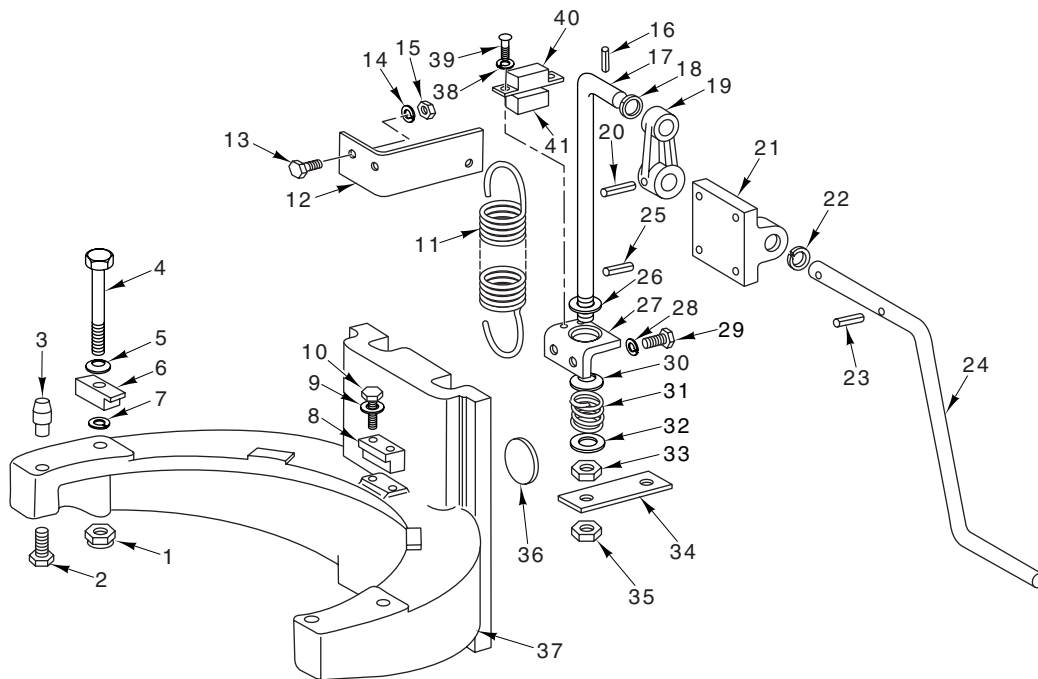


PL-55651

**BOWL GUARD UNIT**

**BOWL GUARD UNIT**

| ILLUS.   | PART NO.        | NAME OF PART   | AMT. |
|----------|-----------------|--|------|
| PL-55651 |                 |  |      |
| 1        | 00-070641-00011 | Thumb Screw 8-32 Special .....                           | 3    |
| 2        | 00-479006       | Latch – Cage Detent .....                                | 1    |
| 3        | 00-478602       | Screw – Shoulder .....                                   | 1    |
| 4        | NS-031-50       | Nut – Stop Special 6-32 Hex (SST) .....                  | 1    |
| 5        | 00-437446-00001 | Spring – Cage Detent .....                               | 1    |
| 6        | 00-437724       | Plunger – Detent .....                                   | 1    |
| 7        | 00-437725       | Bushing – Detent .....                                   | 1    |
| 8        | 00-437792       | Splash Guard & Drip Cup Assy. (Painted) .....            | 1    |
| 9        | 00-437713       | Shoe – Fixed .....                                       | 1    |
| 10       | SC-122-45       | Mach. Screw – Special 1/4-20 x 3/8 Truss Hd. (SST) ..... | 2    |
| 11       | 00-437822       | Wire Cage Assy. ....                                     | 1    |
| 12       | SC-122-46       | Mach. Screw – Special 1/4-20 x 3/4 Truss Hd. (SST) ..... | 2    |
| 13       | 00-437817       | Stop – Cage .....  | 1    |
| 14       | 00-437436       | Pin – Plunger .....                                      | 1    |
| 15       | 00-437799       | Housing – Plunger .....                                  | 1    |
| 16       | 00-437446-00002 | Spring – Cage On/Off .....                               | 1    |
| 17       | 00-437432       | Plunger .....  | 1    |
| 18       | 00-437718-00002 | Saddle – Shoe .....                                      | 1    |
| 19       | 00-437715       | Shoe – Saddle .....                                      | 1    |
| 20       | 00-437720       | Key – Shoe .....   | 1    |
| 21       | SC-122-45       | Mach. Screw – Special 1/4-20 x 3/8 Truss Hd. (SST) ..... | 2    |
| 22       | 00-437714       | Shoe – Adjustable .....                                  | 1    |
| 23       | SC-122-44       | Mach. Screw – Special 8-32 x 3/8 Truss Hd. (SST) .....   | 1    |
| 24       | 00-437805       | Retainer – Magnet .....                                  | 1    |
| 25       | SC-122-44       | Mach. Screw – Special 8-32 x 3/8 Truss Hd. (SST) .....   | 1    |
|          | 00-438608       | Ingredient Chute .....                                   | 1    |

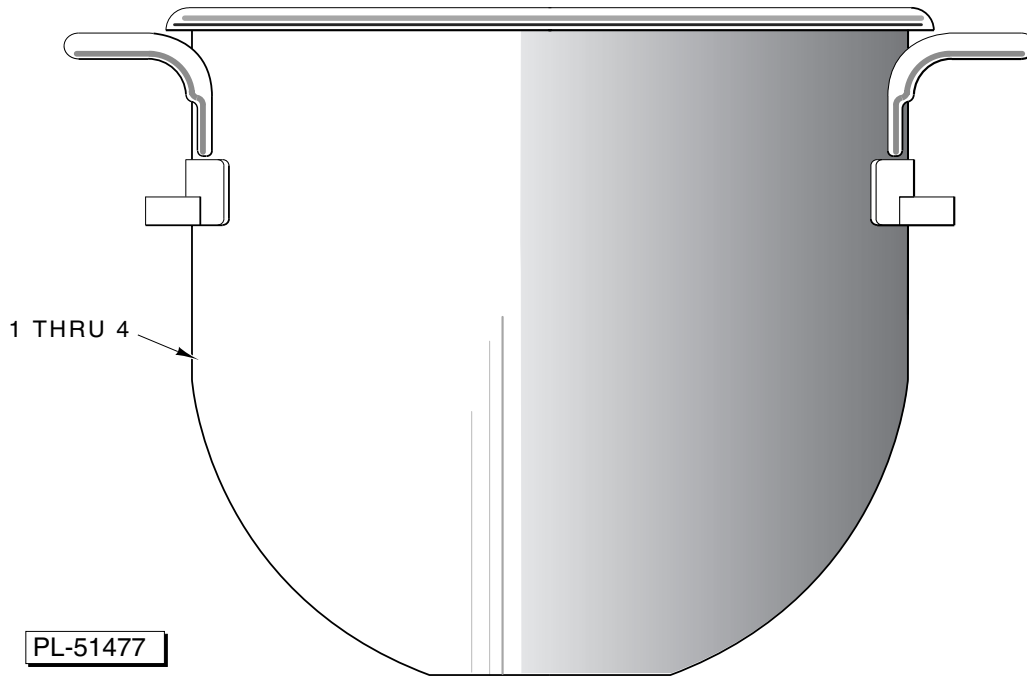
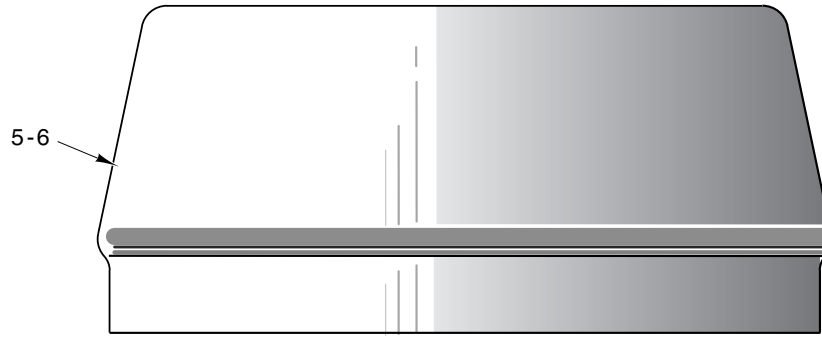


PL-55618

**BOWL LIFT UNIT**

**BOWL LIFT UNIT**

| ILLUS.   | PART NO.        | NAME OF PART   | AMT. |
|----------|-----------------|--|------|
| PL-55618 |                 |  |      |
| 1        | NS-032-13       | Lock Nut <sup>5</sup> / <sub>16</sub> -18 Flexloc .....                                  | 2    |
| 2        | SC-037-75       | Cap Screw <sup>5</sup> / <sub>16</sub> -18 x <sup>3</sup> / <sub>4</sub> Hex Hd. ....    | 2    |
| 3        | 00-070411       | Pin – Bowl Locating .....  | 2    |
| 4        | SC-062-28       | Cap Screw <sup>5</sup> / <sub>16</sub> -18 x 3- <sup>1</sup> / <sub>2</sub> Hex Hd. .... | 2    |
| 5        | 00-070087       | Washer – Spring .....  | 2    |
| 6        | 00-070057       | Clamp – Bowl .....   | 2    |
| 7        | WS-004-18       | Washer .....   | 2    |
| 8        | 00-070044       | Retainer – Bowl .....  | 1    |
| 9        | WL-006-16       | Lockwasher <sup>1</sup> / <sub>4</sub> Light (SST) .....                                 | 2    |
| 10       | SC-036-09       | Cap Screw <sup>1</sup> / <sub>4</sub> -20 x 1 <sup>1</sup> / <sub>4</sub> Hex Hd. ....   | 2    |
| 11       | 00-271342       | Spring – Counterbalance .....  | 1    |
| 12       | 00-271345       | Bracket – Spring .....   | 1    |
| 13       | SC-036-06       | Cap Screw <sup>1</sup> / <sub>4</sub> -20 x 1 Hex Hd. ....                               | 2    |
| 14       | WL-006-16       | Lockwasher <sup>1</sup> / <sub>4</sub> Light (SST) .....                                 | 2    |
| 15       | NS-013-02       | Nut <sup>1</sup> / <sub>4</sub> -20 Hex .....  | 2    |
| 16       | RP-002-25       | Roll Pin <sup>1</sup> / <sub>8</sub> Dia. x <sup>7</sup> / <sub>8</sub> Lg. ....         | 1    |
| 17       | 00-068718       | Rod – Bowl Lift .....  | 1    |
| 18       | WS-008-47       | Washer .....   | 1    |
| 19       | 00-271259-00002 | Arm – Bowl Lift .....  | 1    |
| 20       | RP-002-26       | Roll Pin <sup>1</sup> / <sub>4</sub> Dia. x 1 <sup>1</sup> / <sub>8</sub> Lg. ....       | 1    |
| 21       | 00-271269-00002 | Bearing – Bowl Lift Handle .....   | 1    |
| 22       | WS-020-01       | Washer (SST) .....   | 1    |
| 23       | RP-002-25       | Roll Pin <sup>1</sup> / <sub>8</sub> Dia. x <sup>7</sup> / <sub>8</sub> Lg. ....         | 1    |
| 24       | 00-271322       | Handle – Bowl Lift .....   | 1    |
| 25       | RP-002-10       | Roll Pin <sup>3</sup> / <sub>16</sub> Dia. x 1 Lg. ....                                  | 1    |
| 26       | WS-008-47       | Washer .....   | 1    |
| 27       | 00-438576       | Bracket – Lower Lift .....   | 1    |
| 28       | WL-003-41       | Lockwasher <sup>5</sup> / <sub>16</sub> Light .....                                      | 2    |
| 29       | SC-037-75       | Cap Screw <sup>5</sup> / <sub>16</sub> -18 x <sup>3</sup> / <sub>4</sub> Hex Hd. ....    | 2    |
| 30       | 00-070131       | Washer – Cup Bowl Lift .....   | 1    |
| 31       | 00-070104       | Spring – Bowl Lift .....   | 1    |
| 32       | WS-008-47       | Washer .....   | 1    |
| 33       | NS-017-31       | Jam Nut <sup>1</sup> / <sub>2</sub> -20 Hex .....  | 1    |
| 34       | 00-271346       | Bracket – Lower Spring Lift .....  | 1    |
| 35       | NS-017-31       | Jam Nut <sup>1</sup> / <sub>2</sub> -20 Hex .....  | 1    |
| 36       | 00-271319       | Bumper .....   | 2    |
| 37       | 00-435269-00003 | Support - Bowl .....   | 1    |
| 38       | WL-003-01       | Lockwasher #4 Light .....  | 2    |
| 39       | SC-021-01       | Mach. Screw 4-40 x <sup>1</sup> / <sub>4</sub> Rd. Hd. (SST) .....                       | 2    |
| 40       | 00-120332       | Retainer – Magnet .....  | 1    |
| 41       | 00-111941       | Magnet .....   | 1    |

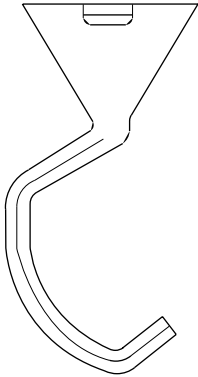


**BOWL**

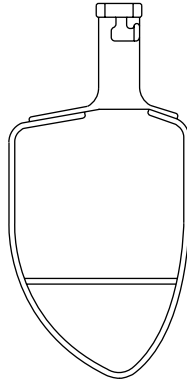


**BOWL**

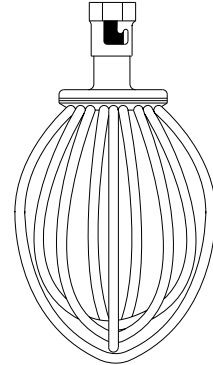
| ILLUS.<br>PL-51477 | PART NO.  | NAME OF PART   | AMT. |
|--------------------|-----------|--|------|
| 1                  | 00-295649 | Bowl – 30 Qt. (Tinned) .....   | 1    |
| 2                  | 00-295646 | Bowl – 20 Qt. (Not Shown) (Tinned) (For Service Use 00-295647) ..... | 1    |
| 3                  | 00-437410 | Bowl – 30 Qt. (SST) .....  | 1    |
| 4                  | 00-295647 | Bowl – 20 Qt. (SST) .....  | 1    |
| 5                  | 00-438080 | Splash Cover Assy. – 30 Qt. ....                                     | 1    |
| 6                  | 00-438079 | Splash Cover Assy. – 20 Qt. ....                                     | 1    |



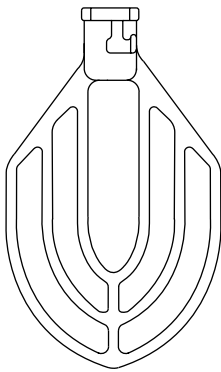
1



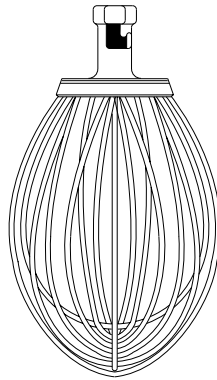
2



3

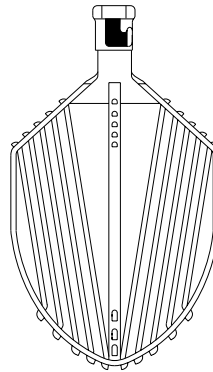


4-5



6

PL-55806



7

**AGITATORS**

**AGITATORS**

| ILLUS.   | PART NO.  | PART NO.  | NAME OF PART                                    | AMT. |
|----------|-----------|-----------|---|------|
| PL-51492 | 30 Qt.    | 20 Qt.    |   |      |
| 1        | 00-295120 | 00-275465 | "E" Dough Arm (Alum.).....                      | 1    |
| 2        | 00-295037 | -         | "P" Pastry Knife .....                          | 1    |
| 3        | 00-295163 | -         | "I" Wire Whip (SST) .....                       | 1    |
| 4        | 00-275450 | 00-275461 | "B" Flat Beater (Alum.) .....                   | 1    |
| 5        | 00-275451 | 00-275462 | "B" Flat Beater (SST) .....                     | 1    |
| 6        | 00-275899 | 00-295029 | "D" Wire Whip (SST) .....                       | 1    |
| 7        | 00-295161 | 00-295164 | "C" Wing Whip .....                             | 1    |
|          | 00-315556 | -         | "ED" Dough Arm – Spiral (Not Shown) (SST) ..... | 1    |

