



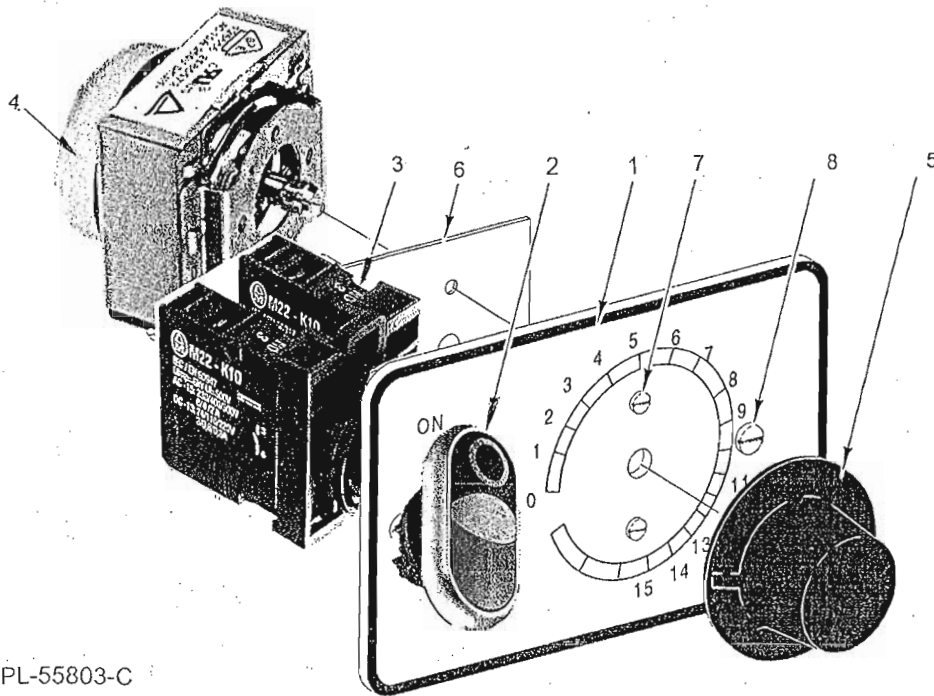
CATALOG OF REPLACEMENT PARTS



A200 MIXER

<i>MODEL</i>	<i>A200C--2251</i>
	<i>A200C--2261</i>
	<i>A200C--1151</i>
	<i>A200C--1161</i>
	<i>A200--2251</i>
	<i>A200--2261</i>
	<i>A200--1151</i>
	<i>A200--1161</i>

MODEL A200 SERIES MIXER REPLACEMENT PARTS



PL-55803-C

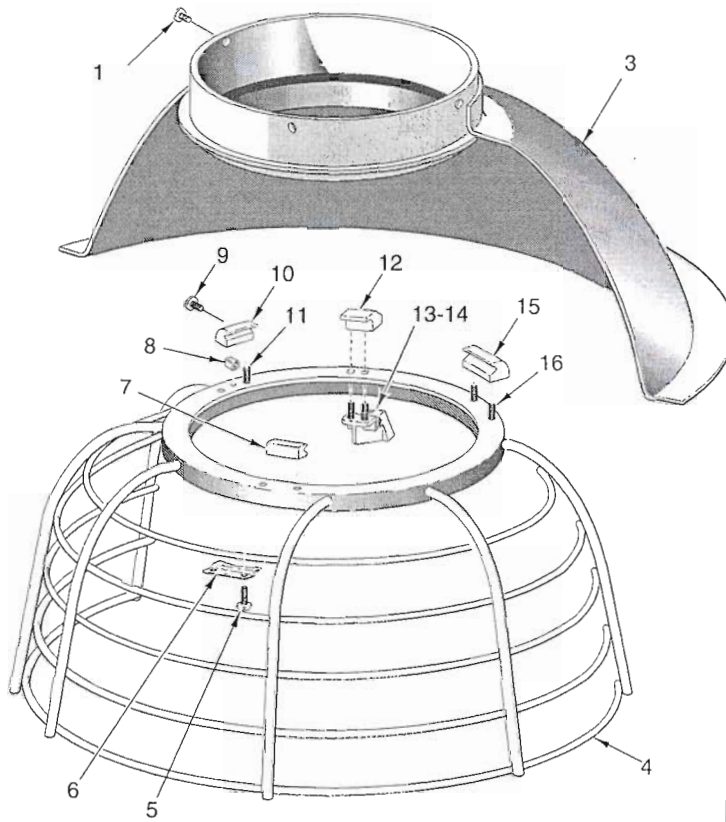
SWITCH AND TIMER UNIT

控制盒组件

ILLUS.

PL-55803-C

PART NO.	NAME OF PART.	AMT	NOTE	中文描述
1	7623009 CONTROL PLATE	1	New	控制牌
2	7623001 SWITCH-FRONT	1	New	双位开关罩
3	7623002 SWITCH-BEHIND	1	New	双位开关体
4	7623003 TIMER	1	New	定时器组件
5	7623004 KNOB	1	New	旋钮
6	7623010 INSULATOR-TIMER	1	New	绝缘垫 (定时器下部)
7	SC-M3-8 SCREW, MACH M3 X 8	2	New	M3X8沉头螺钉
8	sc-121-90 Mach Screw 6-32 X 3/8	2	Original	盘头螺钉



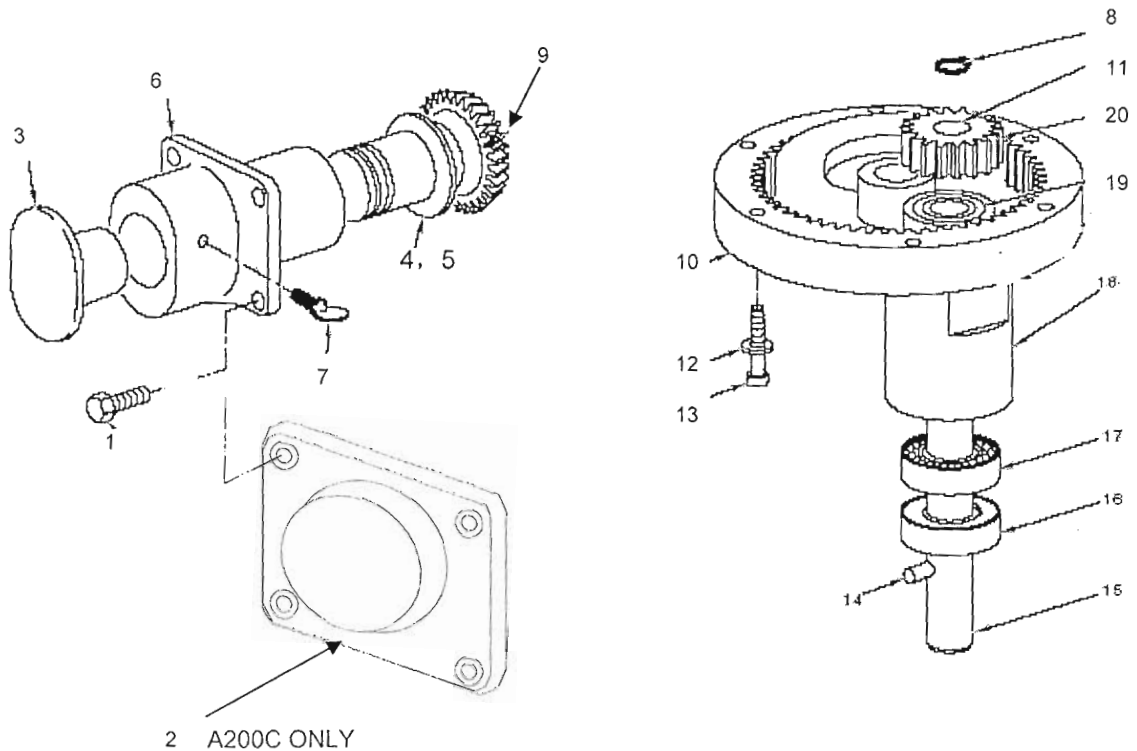
PL-55793

BOWL GUARD UNIT

控制盒组件

ILLUS.	PART NO.	NAME OF PART.	AMT	NOTE	中文描述
PL-55793					
1	SC-066-13	Mach. Screw 8-32 x 1/4 Phil. Truss Hd.	3	Original	螺钉 (固定防护罩用)
2	00-515194	SEALER	AR	Original	灰色胶
3	00-438533	Guard & Drip Cup Assy.	1	Original	飞溅保护罩
4	00-438523	Wire Cage Weldment	1	Original	丝网焊接件
5	SC-122-44	Mach. Screw Special 8-32 x 3/8 Truss Hd.	2	Original	螺钉 (固定块紧固用)
6	00-438530	Stop - Cage	1	Original	停止片
7	00-438527-00001	Shoe - Front	1	Original	护网前块
8	00-438526	Key - Shoe	1	Original	调整块
9	SC-122-82	Mach. Screw 4-40 x 7/16 Oval Hd., Special	1	Original	(调整块用) 螺钉
10	00-438527-00003	Shoe - Adjustable	1	Original	护网调节块
11	SC-122-44	Mach. Screw - Special 8-32 x 3/8 Truss Hd.	2	Original	螺钉 (固定块紧固用)
12	00-438539	Bumper - Cage	1	Original	护网上块
13	00-438525	Retainer - Magnet	1	Original	护网下块
14	SC-122-83	Mach. Screw 6-32 x 3/8 Truss Hd., Special	2	Original	螺钉 (上下固定块用)
15	00-438527-00002	Shoe - Fixed	1	Original	护网定位块
16	SC-122-44	Mach. Screw - Special 8-32 x 3/8 Truss Hd.	2	Original	螺钉 (固定块紧固用)

MODEL A200 SERIES MIXER REPLACEMENT PARTS



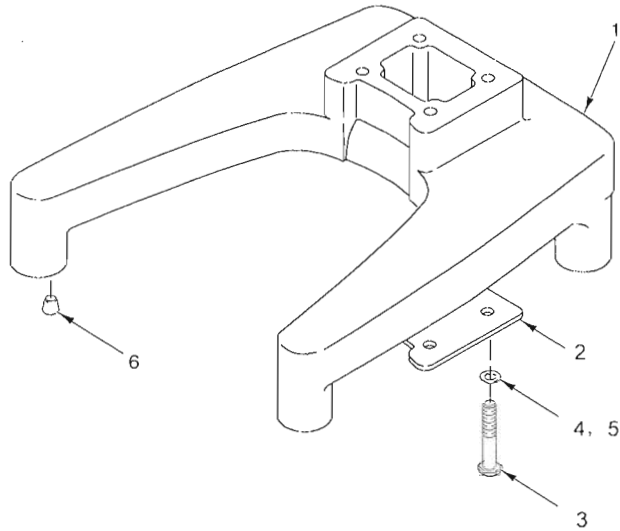
PL-55801-C

PLANETARY AND ATTACHMENT HUB UNIT

控制盒组件

ILLUS.

PL-55801	PART NO.	NAME OF PART.	AMT	NOTE	中文描述
1	SC-M6-20	SCREW, MACH M6 X 20	4	New	沉头螺栓M6X20
2	7621002	PLUG COVER A200C ONLY	1	New	前盖
3	00-114824-00001	Plug - Attachment Hub	1	Original	塑料堵
4	00-012746-00010	Washer - Thrust (0.112)	AR	Original	调节垫圈
5	00-012746-00012	Washer - Thrust (0.119)	AR	Original	调节垫圈
6	00-435047-00001	Hub - Attachment (ML-104901)	1	Original	轮毂件装配
7	00-108197-00001	Thumb Screw	1	Original	注塑顶丝
8	RR-004-18	Retaining Ring	1	Original	卡簧 (副轴下)
9	00-435051-00002	Bevel Drive Gear & Seal Assy.	1	Original	伞齿杆 (HUB)
10	00-438524-00001	Internal Gear (63T) (Incls. Items 20 & 21)	1	Original	内齿圈
11	00-012430-00055	Key 3/16 x 3/16 x 1	1	Original	55键
12	WL-003-35	Lockwasher 1/4 Helical	6	Original	自锁垫圈 (固定内齿圈用)
13	SC-040-09	Cap Screw 1/4-20 x 11/4 Fil. Hd	6	Original	内六角螺钉 (固定内齿圈)
14	00-065062-00001	Pin	1	Original	搅拌轴端销子
15	00-113936	Agitator Shaft Assy. (Incls. Item 14)	1	Original	搅拌轴
16	00-023482	Seal - Oil (1" I.D.)	1	Original	偏心盘油封
17	BB-005-34	Ball Bearing (N.D. #7504)	1	Original	5-17轴承 (下) 6204-2RS
18	00-023166-00001	Planetary (Painted)	1	Original	偏心盘
19	BB-018-17	Ball Bearing (N.D. #7503)	1	Original	5-22轴承 (上) 6203-2RS
20	00-015217	Pinion - Beater (19T)	1	Original	23号齿轮

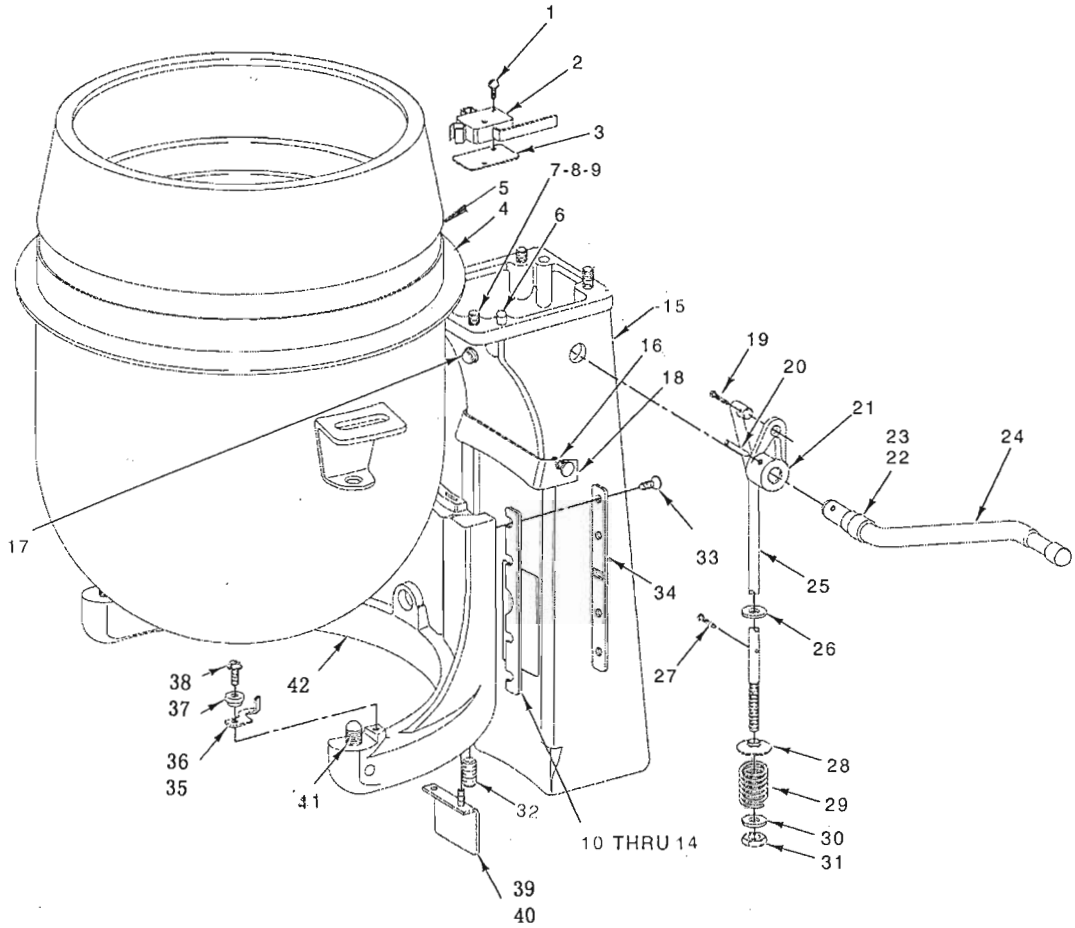


BASE UNIT

机座组装

ILLUS.

PL-55802	PART NO.	NAME OF PART.	AMT	NOTE	中文描述
1	00-873229-00005	Base (Painted) (Bench)	1	Original	机座
2	00-108159	Screen - Air	1	Original	下端档片
3	SC-M10-60	SCREW,CAP M10 X 60	4	New	六角头螺栓M10X60
4	WL-0-10	WASHER,LOCK,HELICAL 10	4	New	弹簧垫圈 10
5	WS-0-10	WASHER,10	4	New	平垫圈 10



PL-55800

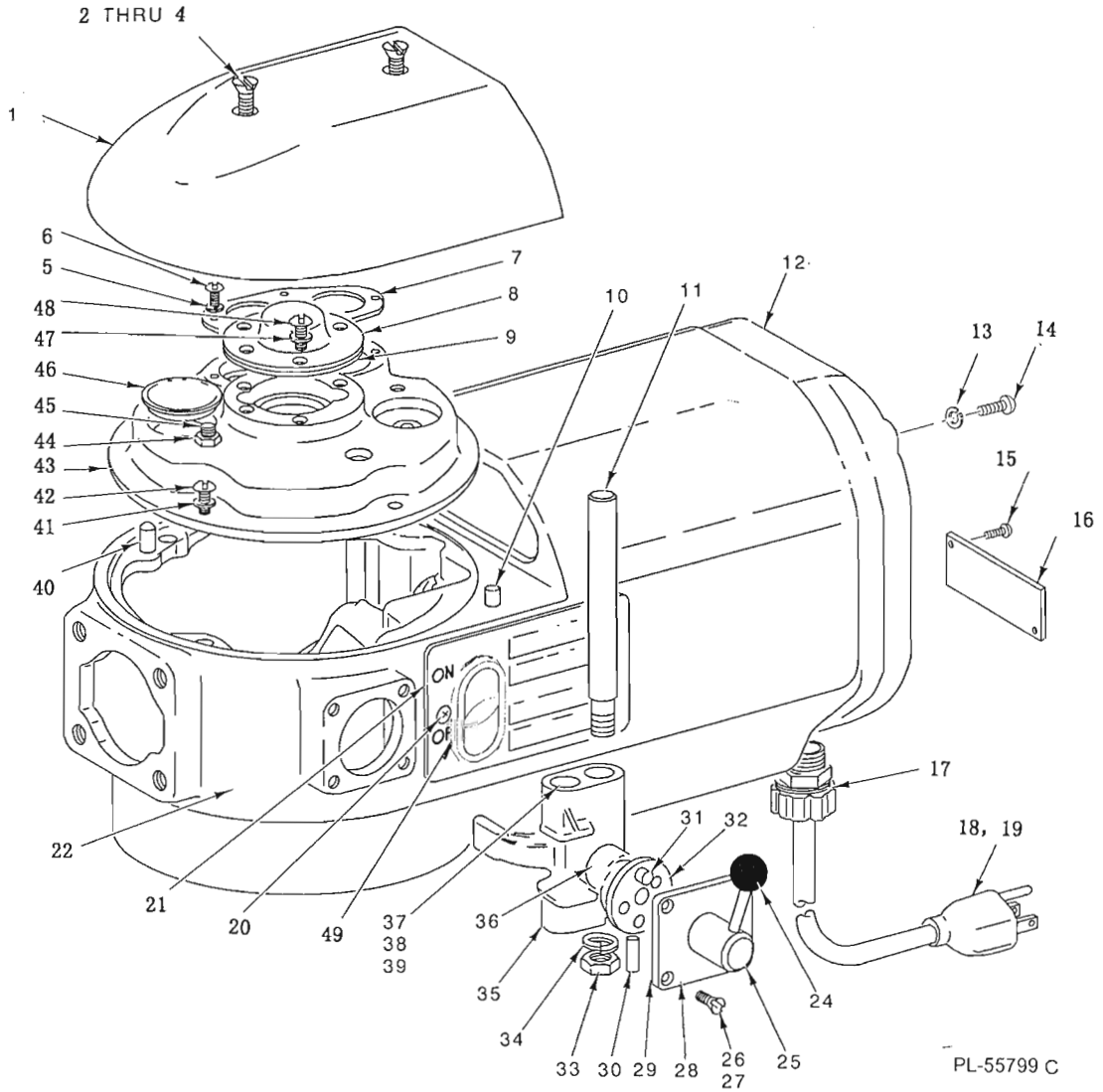
PEDESTAL AND BOWL UNIT

MODEL A200 SERIES MIXER REPLACEMENT PARTS

PEDESTAL AND BOWL UNIT

机身和搅拌桶

ILLUS.	PART NO.	NAME OF PART.	AMT	NOTE	中文描述
PL-55800					
1	SC-060-40	Mach. Screw 4-40 x 5/8 Rd. Hd	2	Original	螺钉 (固定微动开关)
2	00-087711-00248	Switch - Bowl Height	1	Original	微动开关
3	00-439892	Insulator - Switch	1	Original	绝缘垫 (微动开关下)
4	00-275683	Bowl Assy. (20 Qt.) (SST)	1	Original	20升搅拌桶
5	00-438079	Splash Cover & Bowl Extension (2C	1	Original	20QT不锈钢桶盖
6	00-270776	Dowel	2	Original	销子A
7	SC-M8-25	SCREW,CAP M8 X 25	4	New	内六角螺栓M8X25
8	WL-0-8	WASHER,LOCK,HELICAL 8	4	New	弹簧垫圈 8
9	WS-0-8	WASHER,8	4	New	平垫圈 8
10	00-113016-00001	Shim - Bowl Support (0.003" Thk.)	AR	Original	衬垫片1
11	00-113016-00004	Shim - Bowl Support (0.009" Thk.)	AR	Original	衬垫片4
12	00-113016-00005	Shim - Bowl Support (0.015" Thk.)	AR	Original	衬垫片5
13	00-113016-00006	Shim - Bowl Support (0.005" Thk.)	AR	Original	衬垫片6
14	00-113016-00007	Shim - Bowl Support (0.0075" Thk.)	AR	Original	衬垫片7
15	00-438543-00002	Pedestal (Painted)	1	Original	机身
16	00-070641-00011	Thumb Screw 8-32 Special (Painted)	2	Original	元宝螺钉 (固定上保护板)
17	00-087711-301-1	Switch - Reed	1	Original	磁开关
18	00-078506	Shield - Upper Splash	1	Original	碗架上定位
19	PC-003-55	Cotter Pin 1/8 x 3/4	1	Original	钢丝销子 (固定升降摇臂)
20	PS-004-15	Spiral Pin 1/4 Dia. x 11/8 Lg	1	Original	弹簧销子 (摇臂固定用)
21	00-114430	Arm - Bowl Lift	1	Original	小摇臂
22	WS-009-11	Washer (STL)	AR	Original	垫圈 (升降, 机身侧面)
23	WS-009-13	Washer (Fiber)	AR	Original	垫圈 (升降, 机身侧面)
24	00-438528	Lift Handle Assy.	1	Original	升降手柄装配
25	00-015215	Rod - Bowl Lift	1	Original	升降连杆
26	WS-006-33	Washer	2	Original	垫圈
27	PC-003-55	Cotter Pin 1/8 x 3/4	1	Original	钢丝销子 (固定升降摇臂)
28	00-012745	Washer - Special	1	Original	连杆固定垫圈
29	00-012782	Spring	1	Original	弹簧 (升降杆下端用)
30	WS-006-26	Washer	1	Original	垫圈 (升降杆下端用)
31	NS-036-15	Stop Nut 3/8-24 Hex Special	1	Original	螺母 (升降杆下端用)
32	00-121625	Set Screw - Special	1	Original	(碗架调节) 螺钉
33	SC-M5-16	SCREW,MACH M5 X 16	6	New	沉头螺栓M5X16 (煮黑)
34	00-111213-00001	Gib - Bowl Support (Painted)	2	Original	碗架固定板
35	00-291444-00001	Clamp - Bowl (LH)	1	Original	左碗固定夹
36	00-291444-00002	Clamp - Bowl (RH, Shown)	1	Original	右碗固定夹
37	00-291263	Washer - Belleville	6	Original	垫圈 (碗架固定夹螺钉下用)
38	00-274614	Screw - Pivot	2	Original	螺钉 (碗固定夹上固定用)
39	SC-060-56	Mach. Screw 10-32 x 5/16 Rd Hd. (2	Original	螺钉 (固定下保护板的)
40	00-078505	Shield - Lower Splash	1	Original	碗架下保护
41	00-478582	Pin - Bowl Locating	2	Original	碗定位销
42	00-291262-00002	BOWL,SUPPORT	1	Original	碗架



TRANSMISSION CASE AND SHIFTER UNIT

MODEL A200 SERIES MIXER REPLACEMENT PARTS

TRANSMISSION CASE AND SHIFTER UNIT

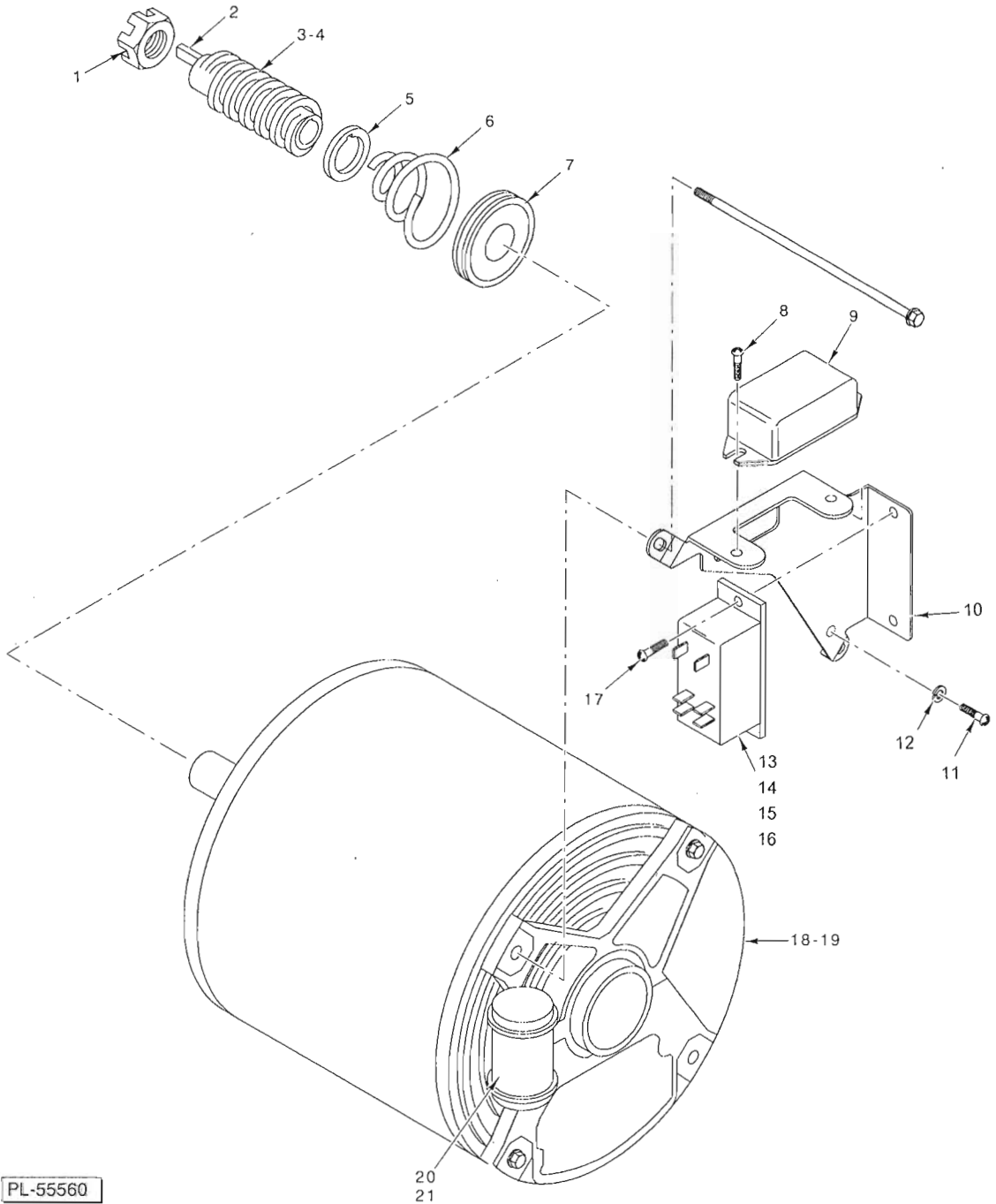
机箱

ILLUS.

PL-55799-C

PART NO.	NAME OF PART.	AMT	NOTE	中文描述
1	00-018231-00003	1	Original	上盖
2	SC-015-57	1	Original	螺钉 (上盖用) (后)
3	SC-016-17	1	Original	螺钉 (上盖用) (前)
4	NS-009-36	2	Original	螺母 (上盖用) (后)
5	WL-003-22	4	Original	弹簧垫圈 (两孔垫用)
6	SC-018-01	4	Original	螺钉 (两孔垫用)
7	00-012708	1	Original	(轴承用)两孔密封胶
8	00-020394-00001	1	Original	轴承盖
9	00-020395	1	Original	轴承盖垫
10	00-011800-00061	2	Original	小销子
11	00-012735	1	Original	导向杆
12	00-873802-00005	1	Original	后盖
13	WL-003-28	4	Original	垫圈 (固定后、内盖用)
14	SC-127-85	4	Original	螺钉 (固定后盖用)
15	SC-009-49	2	Original	螺钉 (后方孔片固定)
16	00-115231-00002	1	Original	后方孔盖
17	FE-022-84	1	Original	电源线固定套
18	7623008	1	New	三芯联体插头 (UL)
19	7623008	1	New	三芯联体插头 (IEC)
20	00-123109	2	Original	螺钉 (固定控制面板用)
21	7623009	1	New	控制牌 (铝板)
22	00-873140-00001	1	Original	机箱
23	7628009	AR	New	648密封胶 (螺纹连接)
24	00-077401	1	Original	圆球
25	00-875241	1	Original	调速柄轴装配
26	SC-015-34	4	Original	螺钉 (固定调速开关用)
27	7628010	AR	New	515密封胶
28	00-290115-00001	1	Original	调速开关座
29	00-023946	1	Original	调速器用密封胶
30	PS-003-08	1	Original	弹簧销子
31	BA-002-09	2	Original	钢珠
32	00-111170	2	Original	弹簧 (调速器用)
33	NS-013-22	1	Original	螺母 (导向杆用)
34	WL-004-06	1	Original	垫圈 (导向杆用)
35	00-013160	1	Original	拨叉
36	00-873504	1	Original	调速杆凸轮
37	00-012733	2	Original	拨叉内销
38	00-012734	2	Original	弹簧 (拨叉内)
39	00-012732	2	Original	拨叉弹簧盖
40	00-011800-00116	1	Original	销子B
41	WL-003-28	4	Original	垫圈 (固定后、内盖用)
42	SC-119-07	4	Original	螺钉 (内六角, 内盖用)
43	00-067750	1	Original	内盖
44	NS-009-36	1	Original	螺母 (上盖用) (后)
45	SC-008-56	1	Original	螺钉 (位于内盖上部)
46	00-064871	2	Original	注油孔园堵
47	WL-003-28	3	Original	垫圈 (固定后、内盖用)
48	SC-008-48	3	Original	螺钉 (轴承盖用)
49	7623001	1	New	双位开关罩

MODEL A200 SERIES MIXER REPLACEMENT PARTS

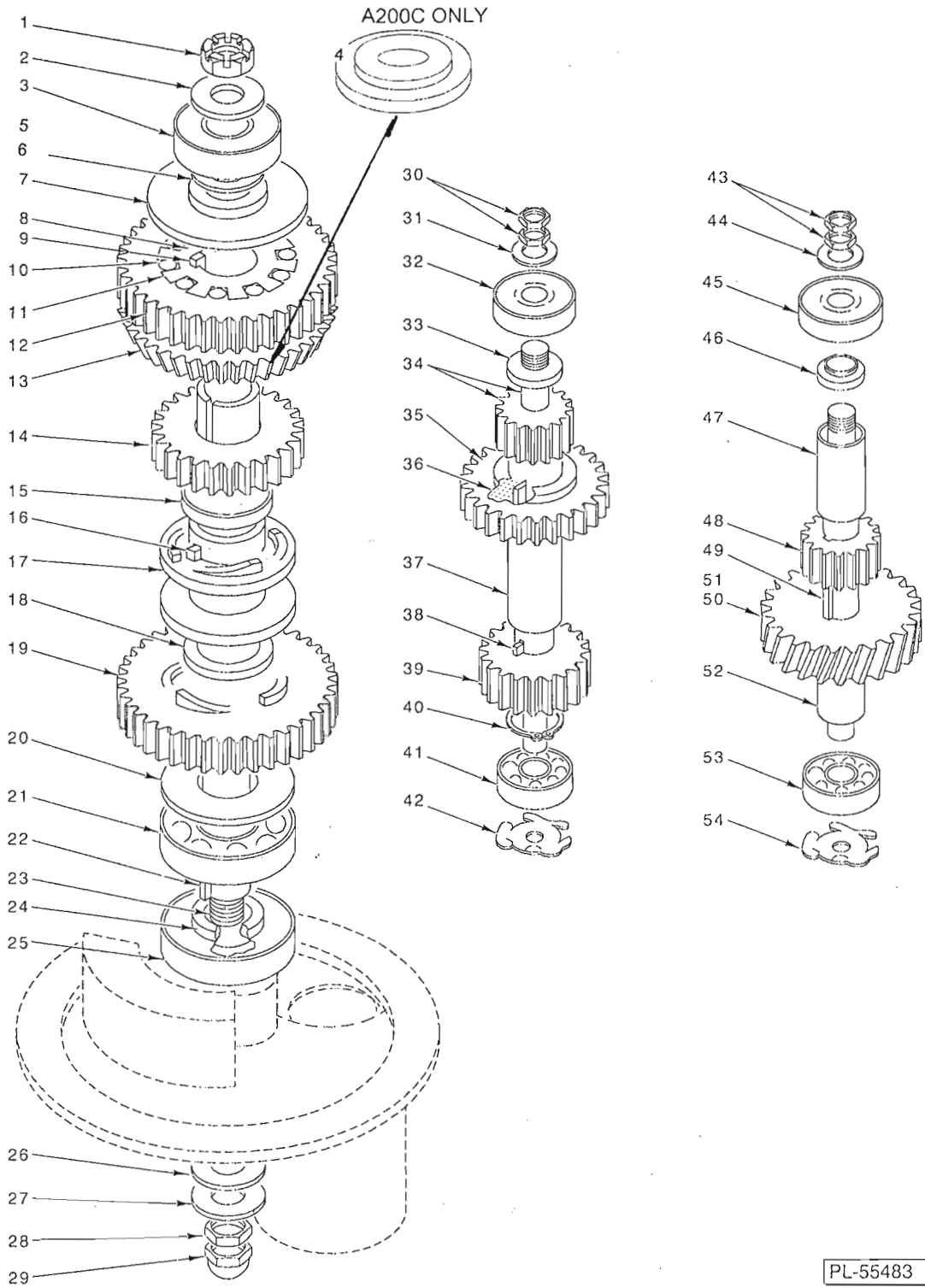


MOTOR PARTS

MODEL A200 SERIES MIXER REPLACEMENT PARTS

ILLUS. PL-55560	MOTOR PARTS			电机装配	
	PART NO.	NAME OF PART.	AMT	NOTE	中文描述
1	NS-032-23	Lock Nut	1	Original	螺杆防松螺母
2	00-012430-00004	Key 1/8 x 1/8 x 1/4	1	Original	(斜齿轮、螺杆用)键
3	00-291221	Gear - Worm (60 Cycle)	1	Original	五头螺杆60Hz
4	00-070407	Gear - Worm (50 Cycle)	1	Original	五头螺杆
5	00-012754	Washer	1	Original	螺杆调节垫圈
6	00-012757	Spring - Shock Absorber	1	Original	螺杆调整弹簧
7	00-873057	Deflector - Grease	1	Original	电机油封盖
8	SD-015-38	Self-Tapping Screw 6-32 x 3/8 Phil. Pan Hd., Type TT	2	Original	自攻螺钉 (固定电器件)
9	00-271612-00002	Switch - Electronic Start (50/60 Hz.)	1	Original	启动固态继电器
10	00-873125	Bracket - Component Mounting	1	Original	电器支架
11	SD-015-39	Self-Tapping Screw 8-32 x 1/4 Phil. Pan Hd., Type TT	2	Original	螺钉 (电器板地线用)
12	WL-008-07	Lockwasher #8 Internal Shakeproof	2	Original	垫圈 (电器板地线用)
13	00-087714-042-1	Relay (2 Pole) (115 V , 50Hz)	1	Original	功率继电器1151
14	00-087714-042-3	Relay (2 Pole) (240 V , 50Hz)	1	Original	功率继电器2251
15	7623006 (2261)	Relay (2 Pole) (240 V , 60Hz)	1	New	功率继电器2261
16	7623007 (1161)	Relay (2 Pole) (115 V , 60Hz)	1	New	功率继电器1161
17	SD-015-38	Self-Tapping Screw 6-32 x 3/8 Phil. Pan Hd., Type TT	2	Original	自攻螺钉 (固定电器件)
18	7623015	Motor Assy. (60 Hz.)	1	New	电机 (60Hz)
19	00-837061-00003	Motor Assy. (50 Hz.)	1	Original	电机 (50Hz)
20	7623011	Cable Tie	2	New	扎紧带100X1
21	00-070487-00025	Capacitor - Motor Start	1	Original	电容

MODEL A200 SERIES MIXER REPLACEMENT PARTS



TRANSMISSION GEAR UNIT

MODEL A200 SERIES MIXER REPLACEMENT PARTS

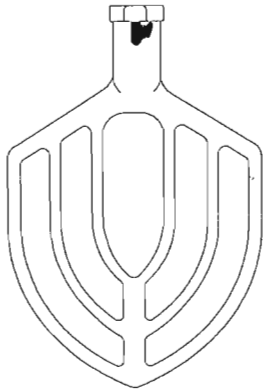
TRANSMISSION GEAR UNIT

机箱内部装配

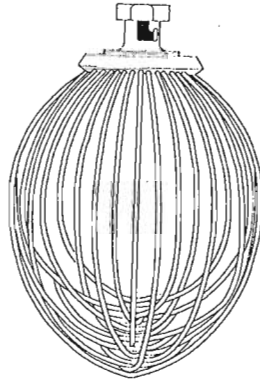
ILLUS.

PL-55483

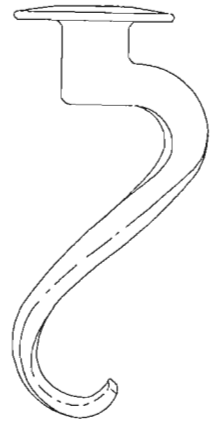
ILLUS.	PART NO.	NAME OF PART.	AMT	NOTE	中文描述
1	NS-032-29	Stop Nut 1/2-20 Flexloc	1	Original	锁紧螺母 (主轴上端压紧)
2	WS-008-13	Washer - Retaining	1	Original	垫圈 (主轴上端压紧)
3	BB-020-18	Ball Bearing - N.D. #77503	1	Original	14-3轴承6203Z
4	7621001	Washer - Bevel Shim (14.6mm Thk.)	1	New	轴套轮 (替13伞)
5	WS-010-19	Washer - Bearing Shim (0.003" Thk.)	AR	Original	垫圈 (超薄)
6	WS-010-20	Washer - Bearing Shim (0.010" Thk.)	AR	Original	垫圈 (超薄)
7	00-107145	Spacer - Planetary Shaft	1	Original	上垫片
8	00-124730	Sleeve - Roller Clutch Drive	1	Original	离合器座
9	00-109070-00002	Key	1	Original	2#平键
10	00-124729	Clutch - Roller	10	Original	滚针
11	00-124732	Spring - Roller	10	Original	滚针弹簧片
12	00-124752	Gear - Slow Speed (46T)	1	Original	12号齿轮 (伞上)
13	00-124733-00002	Gear - Bevel (46T)	1	Original	13号伞齿
14	00-124744	Gear - Clutch (29T)	1	Original	14号齿轮
15	00-012695	Bearing - Clutch Gear	1	Original	铜套
16	00-012430-00059	Key - Clutch Sleeve	2	Original	59#键 (同步轴套内)
17	00-070035-00001	Sleeve - Clutch	1	Original	同步轴套
18	00-012695	Bearing - Clutch Gear	1	Original	铜套
19	00-124743	Gear - Lower Clutch (38T)	1	Original	19号齿轮
20	00-012723	Spacer - Lower	1	Original	下垫片
21	BB-020-06	Ball Bearing - N.D. #7504	1	Original	14-21轴承6204Z
22	00-012430-00017	Key	1	Original	17#键 (行星盘轴孔内)
23	00-124734	Shaft - Planetary	1	Original	行星轴
24	00-437342	Spacer - Bearing	1	Original	定位套管 (限制偏心盘)
25	00-114695	Seal - Oil	1	Original	机箱底油封
26	00-124946	Washer - Fiber	1	Original	纸垫圈 (输出轴端) (盖母上)
27	WS-030-83	Washer - Retaining (STL)	1	Original	垫圈 (输出轴端) (盖母上)
28	00-010928-00002	Nut - Special	1	Original	螺母 (输出轴端)
29	00-024715-00003	Acorn Nut 1/2-20	1	Original	盖帽螺母 (输出轴端)
30	00-012710	Nut - Retaining	2	Original	螺母 (把轴承固定在两副轴端)
31	WS-006-36	Washer - Retaining	1	Original	垫圈 (把轴承固定在两副轴端)
32	BB-005-02	Ball Bearing - N.D. #7500	1	Original	14-45轴承6200Z
33	00-012744	Spacer - Upper	1	Original	副轴上垫片
34	00-291236	Shaft - Transmission (15T)	1	Original	轴齿轮
35	00-124736	Gear (32T)	1	Original	35号齿轮
36	00-435297	Key	1	Original	键 (39、35齿轮内)
37	00-012697	Spacer - Lower	1	Original	下套管 (35#轮下)
38	00-435297	Key	1	Original	键 (39、35齿轮内)
39	00-124760	Gear (23T)	1	Original	39号齿轮
40	RR-004-18	Retaining Ring	1	Original	卡簧 (副轴下)
41	BB-005-01	Ball Bearing - N.D. #3200	1	Original	14-53轴承6200
42	SL-002-08	Spring - Preloading (N.D. #S-10-B)	1	Original	弹簧垫圈 (轴下花垫)
43	00-012710	Nut - Retaining	2	Original	螺母 (把轴承固定在两副轴端)
44	WS-006-36	Washer - Retaining	1	Original	垫圈 (把轴承固定在两副轴端)
45	BB-005-02	Ball Bearing - N.D. #7500	1	Original	14-45轴承6200Z
46	00-124745	Washer	1	Original	轴套上垫圈
47	00-124765-00001	Spacer - Gear	1	Original	齿上轴套
48	00-124748	Gear (15T)	1	Original	48号齿轮
49	00-012430-00004	Key	1	Original	(斜齿轮、五头螺杆用) 键
50	00-124751-00003	Worm Wheel & Bushing Assy. (60 Hz.)	1	Original	50号齿轮60Hz
51	00-124749-00002	Worm Wheel & Bushing Assy. (50 Hz.)	1	Original	50号齿轮50Hz
52	00-291128	Shaft - Worm Wheel	1	Original	调速轴
53	BB-005-01	Ball Bearing - N.D. #3200	1	Original	14-53轴承6200
54	SL-002-08	Spring - Preloading (N.D. #S-10-B)	1	Original	弹簧垫圈 (轴下花垫)
	00-292799-00002	Planetary Shaft Assy.	1	Original	伞齿轮和轴装配
	00-292800	Transmission Shaft Assy.	1	Original	轴齿轮装配
	00-292798-00001	Worm Wheel Shaft Assy. (60 Hz.)	1	Original	50号齿轮和轴装配 (50Hz)
	00-292798-00002	Worm Wheel Shaft Assy. (50 Hz.)	1	Original	50号齿轮和轴装配 (60Hz)



1



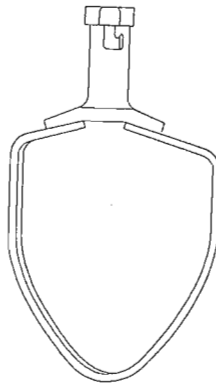
2



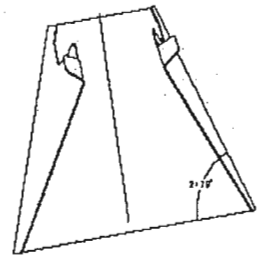
3



4



5



6

ATTACHMENTS

附件

ILLUS.

PL-55897-C

	PART NO.	NAME OF PART.	AMT	NOTE	中文描述
1	00-477561	"B" Flat Beater	1	Original	20QT板
2	00-275897	"D" wire Whip	1	Original	20QT球
3	00-477561	"ED" Dough Arm	Option	Original	20QT弯钩
4	00-295119	"E" Dough Arm	Option	Original	20QT直钩
5	00-295036	"P" Pastry Knife	Option	Original	20QT刀
6	00-479730	Chute , ingredient	Option	Original	20QT料斗