



CATALOG OF

REPLACEMENT PARTS

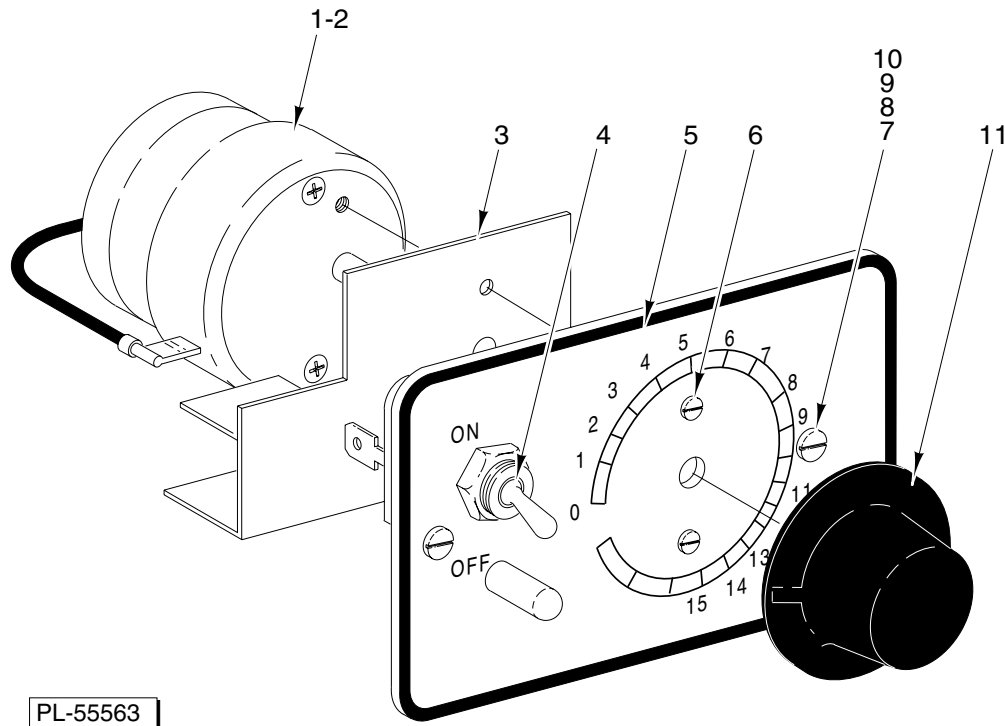


**MODEL A120
SERIES MIXER**

**(INCLUDES MOTOR PARTS)
ML-104865**

Table of Contents

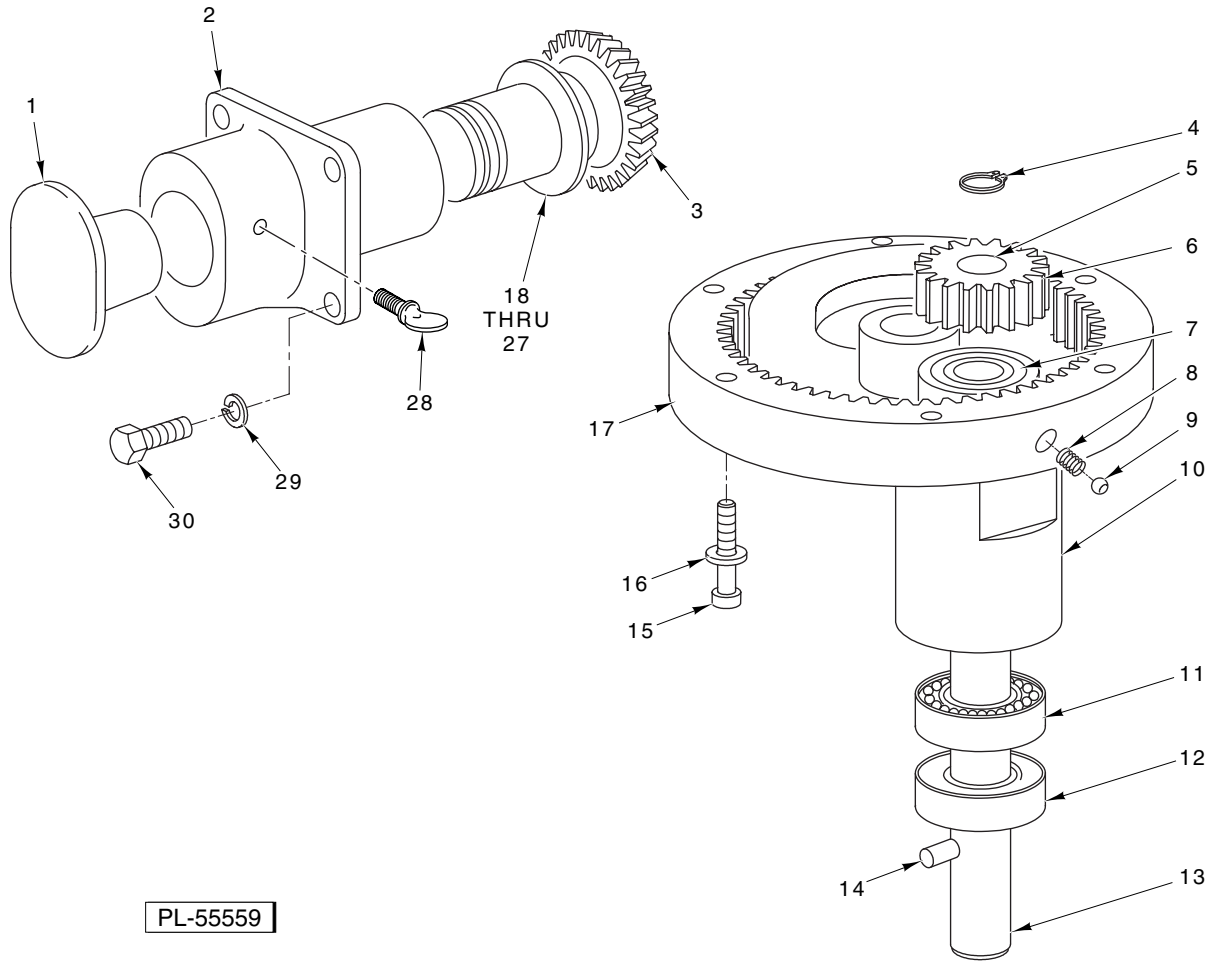
| Page | Description |
|-------------|------------------------------------|
| 3 | Switch and Timer Unit |
| 5 | Planetary and Attachment Hub Unit |
| 7 | Base Unit |
| 9 | Pedestal And Bowl Unit |
| 11 | Transmission Case and Shifter Unit |
| 13 | Motor Parts |
| 15 | Transmission Gear Unit |
| 16 | Agitators |



PL-55563

SWITCH AND TIMER UNIT

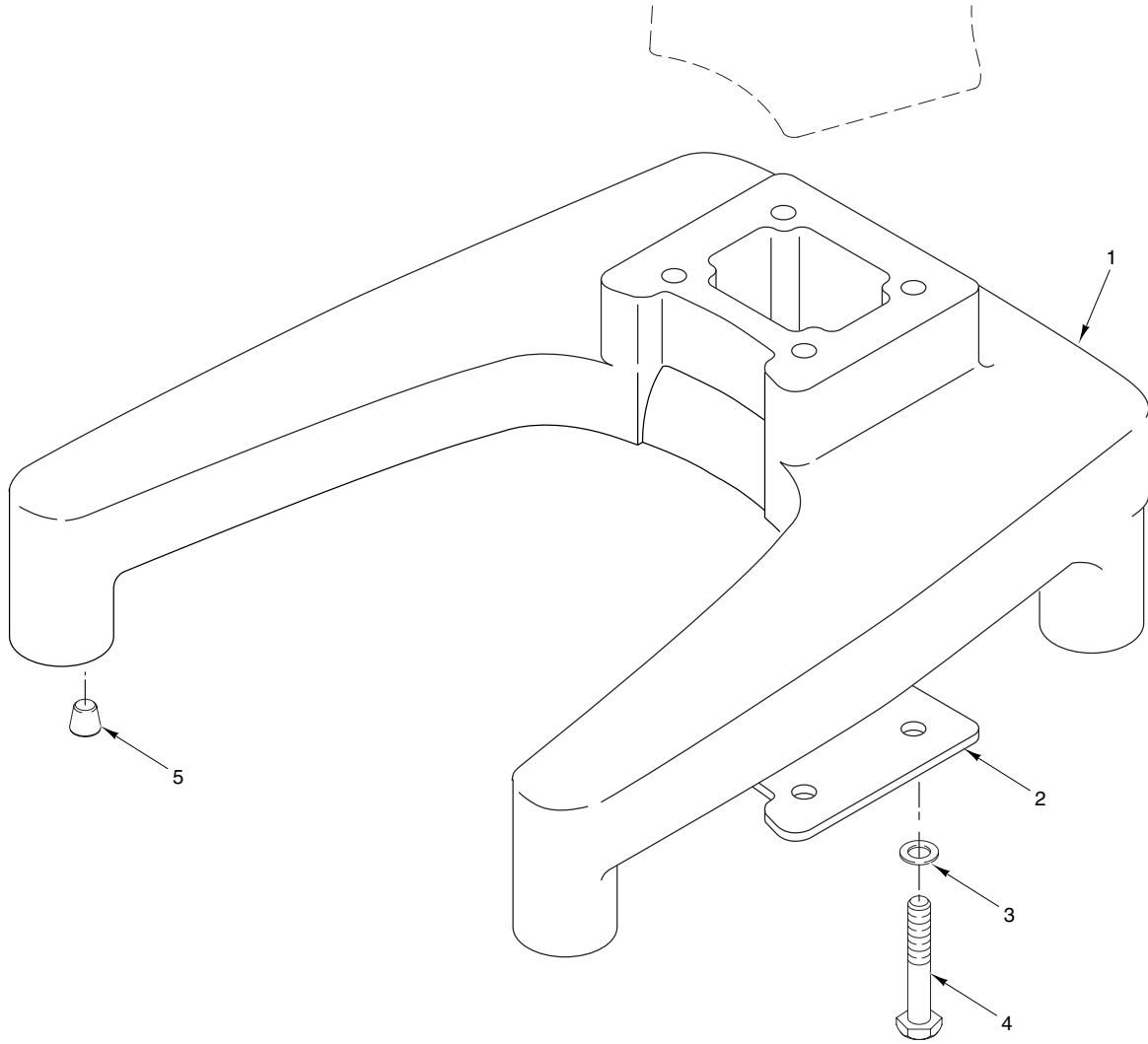
| ILLUS. | PART NO. | NAME OF PART | AMT. |
|--------|-----------------|---|------|
| | PL-55563 | | |
| 1 | 00-294650-004-1 | Timer Assy. (115 V., 60 Hz.) | 1 |
| 2 | 00-294650-004-4 | Timer Assy. (220 V., 50 Hz.) | 1 |
| 3 | 00-291746 | Insulator – Switch | 1 |
| 4 | 00-120388 | Switch & Label Assy. | 1 |
| 5 | 00-873115-00001 | Switch Plate & Pin Assy. | 1 |
| 6 | SC-013-07 | Mach. Screw 5-40 x 1/4 Flat Hd. | 2 |
| 7 | 00-123109 | Screw 6-32 x 3/8 Serrated Hd. | 2 |
| 8 | SC-027-28 | Mach. Screw 8-32 x 1/4 Rd. Hd. (Grounding Screw) | 1 |
| 9 | WL-011-01 | Lockwasher #8 Internal Shakeproof (Grounding Screw) (1 Ph.) | 2 |
| 10 | NS-010-11 | Mach. Nut 8-32 Hex (Ground Screw) (1 Ph.) | 1 |
| 11 | 00-291748 | Knob – Timer | 1 |



PLANETARY AND ATTACHMENT HUB UNIT

PLANETARY AND ATTACHMENT HUB UNIT

| ILLUS. | PART NO. | NAME OF PART | AMT. |
|----------|-----------------|---|------|
| PL-55559 | | | |
| 1 | 00-114824-00001 | Plug – Attachment Hub | 1 |
| 2 | 00-435047-00004 | Hub – Attachment (Painted) | 1 |
| 3 | 00-435065-00002 | Bevel Drive Gear & Seal Assy. | 1 |
| 4 | RR-004-18 | Retaining Ring | 1 |
| 5 | 00-012430-00048 | Key ³ / ₁₆ x ³ / ₁₆ x 4 | 1 |
| 6 | 00-012683 | Pinion – Beater (17T) | 1 |
| 7 | BB-018-17 | Ball Bearing – N.D. #7503 | 1 |
| 8 | 00-007094 | Spring | 2 |
| 9 | BA-002-09 | Ball ¹ / ₄ Dia. | 2 |
| 10 | 00-113953 | Planetary (Painted) | 1 |
| 11 | BB-018-17 | Ball Bearing – N.D. #7503 | 1 |
| 12 | 00-121814 | Seal – Oil (1" I.D.) | 1 |
| 13 | 00-113949 | Agitator Shaft Assy. (Incls. Item 14) | 1 |
| 14 | 00-065062-00002 | Pin – Dowel | 1 |
| 15 | SC-040-08 | Cap Screw ¹ / ₄ -20 x 1 Fil. Hd. | 6 |
| 16 | WL-003-35 | Lockwasher ¹ / ₄ Helical | 6 |
| 17 | 00-012682 | Internal Gear (63T) (Incls. Items 8 & 9) | 1 |
| 18 | 00-012746-00019 | Washer – Thrust (0.115) | AR |
| 19 | 00-012746-00005 | Washer – Thrust (0.080) | AR |
| 20 | 00-012746-00006 | Washer – Thrust (0.106) | AR |
| 21 | 00-012746-00007 | Washer – Thrust (0.092) | AR |
| 22 | 00-012746-00008 | Washer – Thrust (0.086) | AR |
| 23 | 00-012746-00009 | Washer – Thrust (0.098) | AR |
| 24 | 00-012746-00010 | Washer – Thrust (0.112) | AR |
| 25 | 00-012746-00012 | Washer – Thrust (0.119) | AR |
| 26 | 00-012746-00013 | Washer – Thrust (0.121) | AR |
| 27 | 00-012746-00016 | Washer – Thrust (0.129) | AR |
| 28 | 00-108197-00001 | Thumb Screw | 1 |
| 29 | WL-019-79 | Lockwasher | 4 |
| 30 | SC-119-07 | Mach. Screw 12-24 x ³ / ₄ Flat Hd. (Painted) | 4 |
| | 00-113954 | Planetary Assy. (Painted) (Incls. Items 4 thru 7 & 10 thru 13) | 1 |

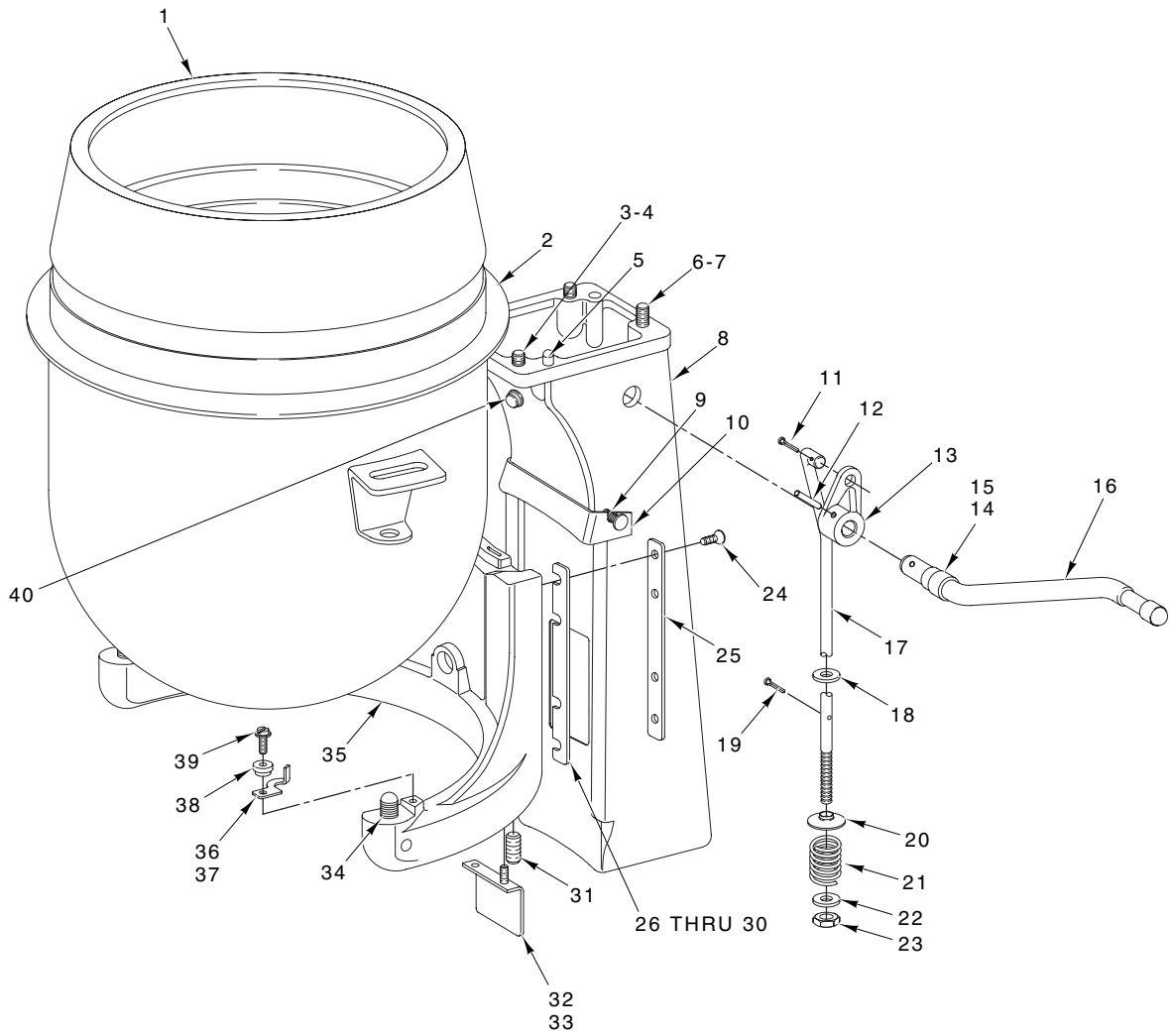


PL-55481

BASE UNIT

BASE UNIT

| ILLUS. PL-55481 | PART NO. | NAME OF PART | AMT. |
|--------------------|-----------------|--|------|
| 1 | 00-873229-00003 | Base (Painted) | 1 |
| 2 | 00-108159 | Screen – Air | 1 |
| 3 | WS-018-19 | Washer | 4 |
| 4 | SC-097-53 | Cap Screw ³ / ₈ -16 x 2 ¹ / ₄ Hex Hd. | 4 |
| 5 | 00-110717-00001 | Plug – Base (Plug for Foot Pads) (Packed 8) | 1 |

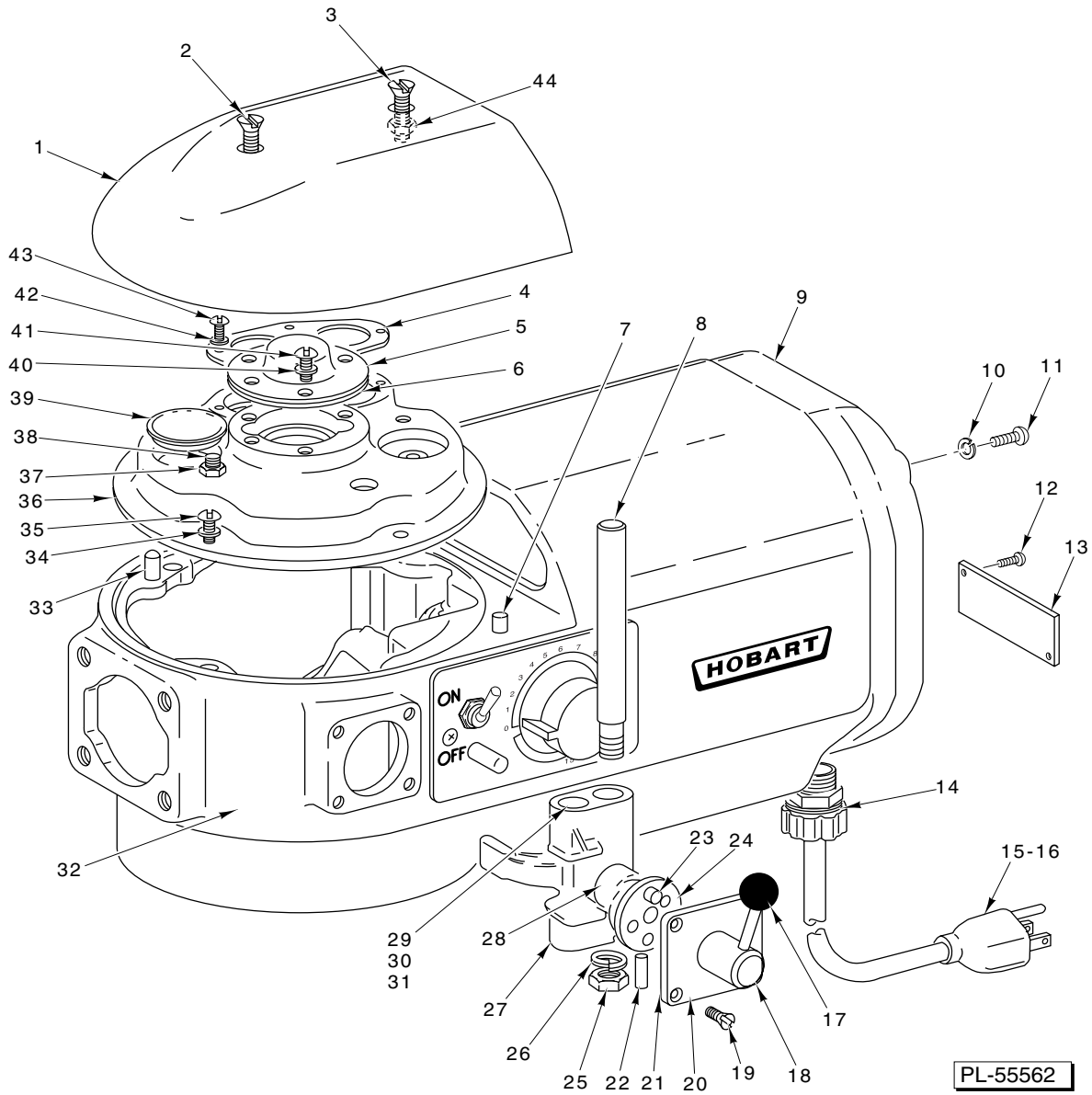


PL-55561

PEDESTAL AND BOWL UNIT

PEDESTAL AND BOWL UNIT

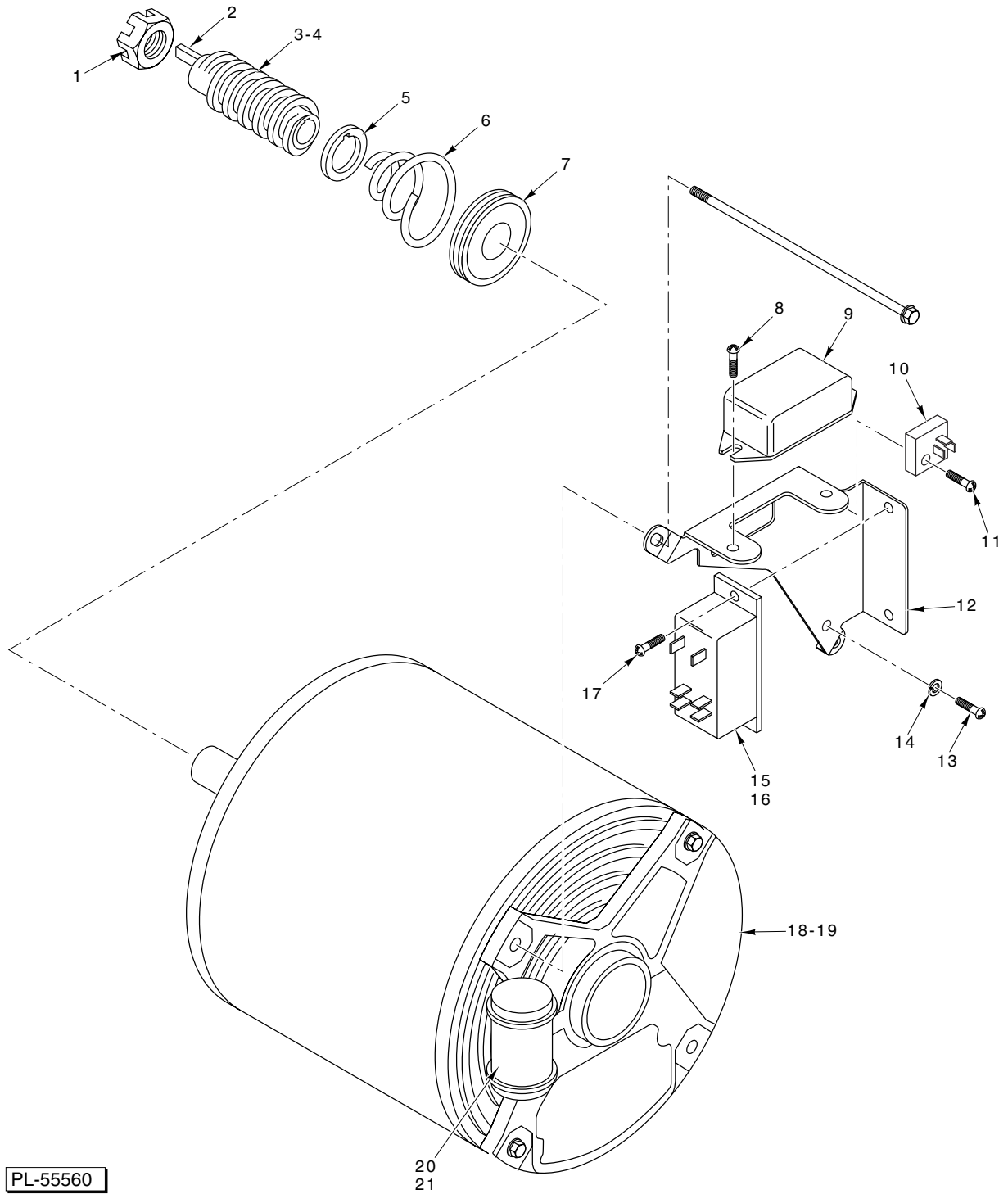
| ILLUS. | PART NO. | NAME OF PART | AMT. |
|----------|-----------------|--|------|
| PL-55561 | | | |
| 1 | 00-438078 | Splash Cover & Bowl Extension (12 Qt.) | 1 |
| 2 | 00-023438 | Bowl Assy. (12 Qt.) (SST) | 1 |
| 3 | WL-006-22 | Lockwasher ⁵ / ₁₆ Light | 2 |
| 4 | SC-041-13 | Cap Screw ⁵ / ₁₆ -18 x 1 Hex Hd. (SST) | 2 |
| 5 | 00-270776 | Dowel | 2 |
| 6 | WL-006-22 | Lockwasher ⁵ / ₁₆ Light | 2 |
| 7 | SC-011-95 | Mach. Screw ⁵ / ₁₆ -18 x 1 Fil. Hd. | 2 |
| 8 | 00-078634-00002 | Pedestal | 1 |
| 9 | 00-070641-00011 | Thumb Screw 8-32 Special | 2 |
| 10 | 00-078506 | Shield – Upper Splash | 1 |
| 11 | PC-003-55 | Cotter Pin ¹ / ₈ x ³ / ₄ | 1 |
| 12 | PS-004-15 | Spiral Pin ¹ / ₄ Dia. x ¹ / ₈ Lg. | 1 |
| 13 | 00-114432 | Arm – Bowl Lift | 1 |
| 14 | WS-009-11 | Washer (STL) | AR |
| 15 | WS-009-13 | Washer (Fiber) | AR |
| 16 | 00-114432 | Lift Handle Assy. | 1 |
| 17 | 00-012714 | Bowl – Lift Rod | 1 |
| 18 | WS-006-33 | Washer | 2 |
| 19 | PC-003-55 | Cotter Pin ¹ / ₈ x ³ / ₄ | 1 |
| 20 | 00-012745 | Washer – Special | 1 |
| 21 | 00-012782 | Spring | 1 |
| 22 | WS-006-26 | Washer | 1 |
| 23 | NS-036-15 | Stop Nut ³ / ₈ -24 Hex Special | 1 |
| 24 | SC-022-20 | Mach. Screw 10-24 x ⁵ / ₈ Flat Hd. | 8 |
| 25 | 00-012715 | Gib – Bowl Support | 2 |
| 26 | 00-016388-00001 | Shim – Bowl Support (0.003" Thk.) | AR |
| 27 | 00-016388-00004 | Shim – Bowl Support (0.009" Thk.) | AR |
| 28 | 00-016388-00005 | Shim – Bowl Support (0.005" Thk.) | AR |
| 29 | 00-016388-00006 | Shim – Bowl Support (0.007" Thk.) | AR |
| 30 | 00-016388-00007 | Shim – Bowl Support (0.015" Thk.) | AR |
| 31 | 00-121625 | Set Screw – Special | 1 |
| 32 | SC-060-56 | Mach. Screw 10-32 x ⁵ / ₁₆ Rd Hd. | 2 |
| 33 | 00-078505 | Shield – Lower Splash | 1 |
| 34 | 00-478582 | Pin – Bowl Locating | 2 |
| 35 | 00-024870 | Bowl Support Assy. (Incls. Item 31) | 1 |
| 36 | 00-291444-00001 | Clamp – Bowl (LH) | 1 |
| 37 | 00-291444-00002 | Clamp – Bowl (RH, Shown) | 1 |
| 38 | 00-291263 | Washer – Belleville | 6 |
| 39 | 00-274614 | Screw – Pivot | 2 |
| 40 | 00-087711-252-1 | Switch – Reed | 1 |



TRANSMISSION CASE AND SHIFTER UNIT

TRANSMISSION CASE AND SHIFTER UNIT

| ILLUS. | PART NO. | NAME OF PART | AMT. |
|----------|-----------------|--|------|
| PL-55562 | | | |
| 1 | 00-018231-00003 | Cover – Transmission Case (Painted) | 1 |
| 2 | SC-016-17 | Mach. Screw 12-24 x 1 ¹ / ₄ Oval Hd. | 1 |
| 3 | SC-015-57 | Mach. Screw 12-24 x 1 ¹ / ₂ Oval Hd. | 1 |
| 4 | 00-012708 | Retainer – Twin Bearing | 1 |
| 5 | 00-020394-00001 | Cap – Bearing Retainer | 1 |
| 6 | 00-020395 | Retainer – Bearing | 1 |
| 7 | 00-011800-00061 | Dowel | 2 |
| 8 | 00-012735 | Rod – Shifter Guide | 1 |
| 9 | 00-873802-00005 | Cover – Back (Painted) | 1 |
| 10 | WL-003-28 | Lockwasher #12 Light | 4 |
| 11 | SC-127-85 | Mach. Screw 12-24 x 2 ¹ / ₂ Pan Hd. | 4 |
| 12 | SC-009-49 | Mach. Screw 6-32 x ³ / ₈ Rd. Hd. | 2 |
| 13 | 00-115231-00002 | Cover – Conduit | 1 |
| 14 | FE-022-84 | Strain Relief ¹ / ₂ NPT | 1 |
| 15 | 00-117542-00081 | Cord & Plug Assy. (3 Cnd., Under 150 V.) | 1 |
| 16 | 00-117542-00080 | Cord Assy. (I.E.C.) | 1 |
| 17 | 00-077401 | Knob – Shifter Handle | 1 |
| 18 | 00-875241 | Handle – Shifter (Incls. Item 17) | 1 |
| 19 | SC-015-34 | Mach. Screw 10-24 x ¹ / ₂ | 4 |
| 20 | 00-290115-00001 | Plate – Shifter Index | 1 |
| 21 | 00-023946 | Gasket – Shifter Index Plate | 1 |
| 22 | PS-003-08 | Spiral Pin ¹ / ₈ Dia. x ³ / ₄ Lg. | 1 |
| 23 | BA-002-09 | Ball ¹ / ₄ Dia. | 2 |
| 24 | 00-111170 | Spring – Detent | 2 |
| 25 | NS-013-22 | Nut ³ / ₈ -16 Hex | 1 |
| 26 | WL-004-06 | Lockwasher ³ / ₈ Medium | 1 |
| 27 | 00-013160 | Yoke – Shifter | 1 |
| 28 | 00-873504 | Cam – Gear Shifter | 1 |
| 29 | 00-012733 | Plunger – Shifter Yoke | 2 |
| 30 | 00-012734 | Spring – Shifter Yoke | 2 |
| 31 | 00-012732 | Retainer – Shifter Yoke Spring | 2 |
| 32 | 00-873140-00001 | Case – Transmission (Incls. Items 7 & 33) | 1 |
| 33 | 00-011800-00116 | Dowel | 1 |
| 34 | WL-003-28 | Lockwasher #12 Light | 4 |
| 35 | SC-119-07 | Mach. Screw 12-24 x ³ / ₄ Hex Hd. | 4 |
| 36 | 00-067750 | Transmission Shaft Support & Screw Assy. (Incls. Items 37 & 38) | 1 |
| 37 | NS-009-36 | Mach. Nut 12-24 Hex | 1 |
| 38 | SC-008-56 | Mach. Screw 12-24 x ¹ / ₂ Rd. Hd. | 1 |
| 39 | 00-064871 | Plug – Friction | 2 |
| 40 | WL-003-28 | Lockwasher #12 Light | 3 |
| 41 | SC-008-48 | Mach. Screw 12-24 x ¹ / ₂ Rd. Hd. | 3 |
| 42 | WL-003-22 | Lockwasher #10 Light | 4 |
| 43 | SC-018-01 | Mach. Screw 10-24 x ³ / ₈ Pan Hd. | 4 |
| 44 | NS-009-36 | Mach. Nut 12-24 Hex | 2 |
| | 00-875249 | Shifter Assy. (Incls. Items 18, 20, 22, 23, 24, & 28) | 1 |

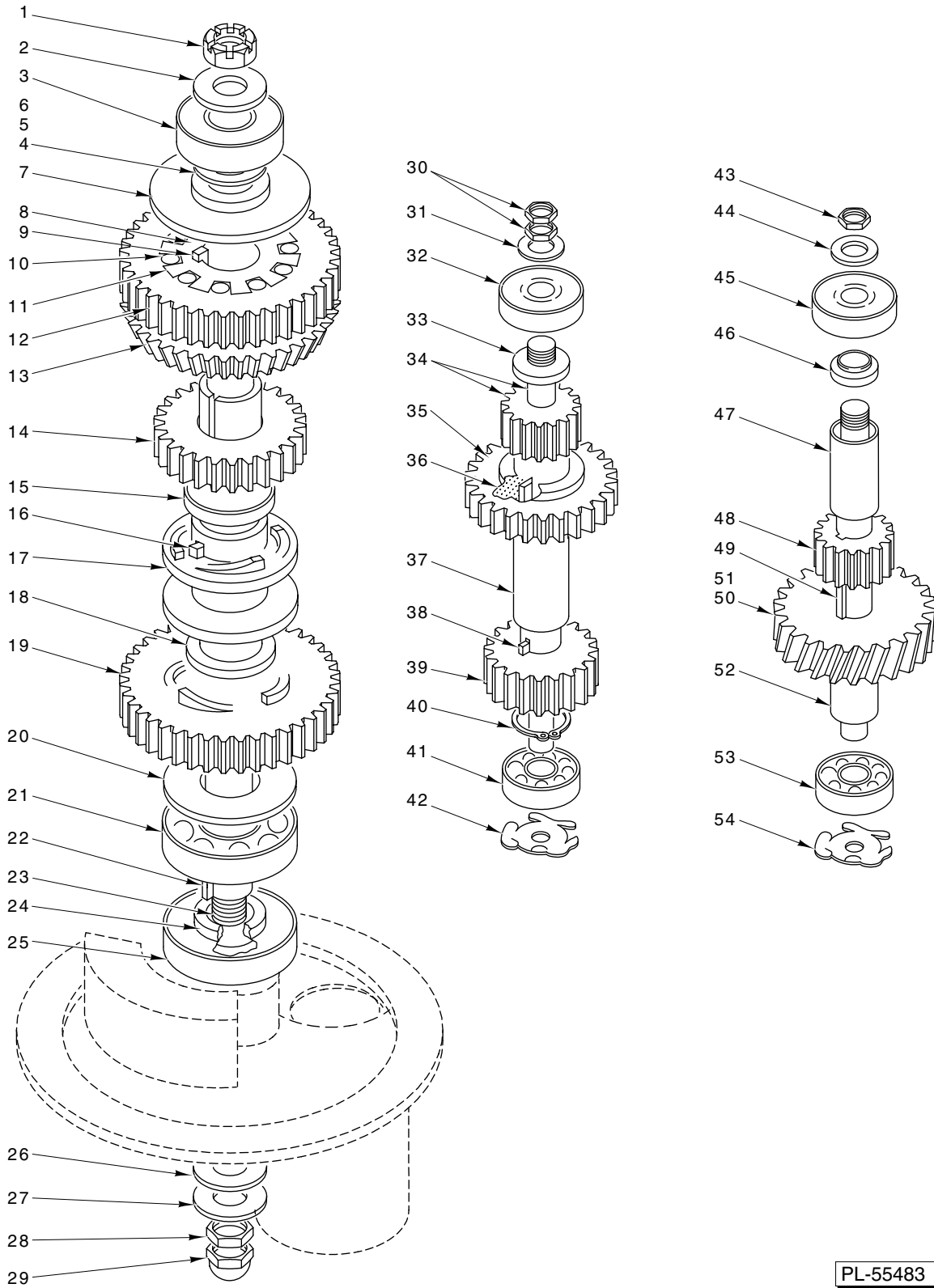


PL-55560

MOTOR PARTS

MOTOR PARTS

| ILLUS. | PART NO. | NAME OF PART | AMT. |
|----------|-----------------|--|------|
| PL-55560 | | | |
| 1 | NS-032-23 | Lock Nut | 1 |
| 2 | 00-012430-00004 | Key 1/8 x 1/8 x 1/4 | 1 |
| 3 | 00-291221 | Gear – Worm (60 Cycle) | 1 |
| 4 | 00-070407 | Gear – Worm (50 Cycle) | 1 |
| 5 | 00-012754 | Washer | 1 |
| 6 | 00-012757 | Spring – Shock Absorber | 1 |
| 7 | 00-873057 | Deflector – Grease | 1 |
| 8 | SD-015-38 | Self-Tapping Screw 6-32 x 3/8 Phil. Pan Hd., Type TT | 2 |
| 9 | 00-271612-00002 | Switch – Electronic Start (50/60 Hz.) | 1 |
| 10 | 00-873203-00002 | Block – Terminal | 1 |
| 11 | SD-015-38 | Self-Tapping Screw 6-32 x 3/8 Phil. Pan Hd., Type TT | 1 |
| 12 | 00-873125 | Bracket – Component Mounting | 1 |
| 13 | SD-015-39 | Self-Tapping Screw 8-32 x 1/4 Phil. Pan Hd., Type TT | 2 |
| 14 | WL-008-07 | Lockwasher #8 Internal Shakeproof | 2 |
| 15 | 00-087714-042-1 | Relay (2 Pole) (115 V.) | 1 |
| 16 | 00-087714-042-3 | Relay (2 Pole) (240 V.) | 1 |
| 17 | SD-015-38 | Self-Tapping Screw 6-32 x 3/8 Phil. Pan Hd., Type TT | 2 |
| 18 | 00-873061-00001 | Motor Assy. (60 Hz.) | 1 |
| 19 | 00-873061-00003 | Motor Assy. (50 Hz.) | 1 |
| 20 | 00-113703 | Cable Tie | 2 |
| 21 | 00-070487-00025 | Capacitor – Motor Start | 1 |

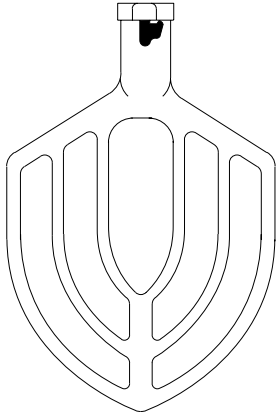


PL-55483

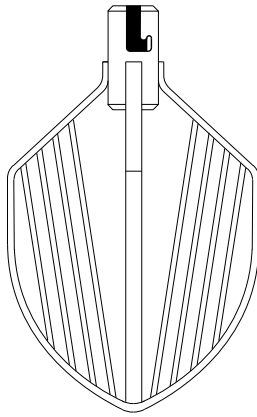
TRANSMISSION GEAR UNIT

TRANSMISSION GEAR UNIT

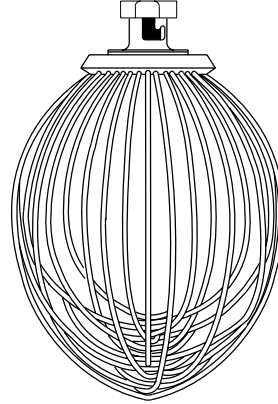
| ILLUS. | PART NO. | NAME OF PART | AMT. |
|----------|-----------------|---|------|
| PL-55483 | | | |
| 1 | NS-032-29 | Stop Nut 1/2-20 Flexloc | 1 |
| 2 | WS-008-13 | Washer – Retaining | 1 |
| 3 | BB-020-18 | Ball Bearing – N.D. #77503 | 1 |
| 4 | WS-010-18 | Washer – Bearing Shim (0.002" Thk.) | AR |
| 5 | WS-010-19 | Washer – Bearing Shim (0.003" Thk.) | AR |
| 6 | WS-010-20 | Washer – Bearing Shim (0.010" Thk.) | AR |
| 7 | 00-107145 | Spacer – Planetary Shaft | 1 |
| 8 | 00-124730 | Sleeve – Roller Clutch Drive | 1 |
| 9 | 00-109070-00002 | Key | 1 |
| 10 | 00-124729 | Clutch – Roller | 10 |
| 11 | 00-124732 | Spring – Roller | 10 |
| 12 | 00-124752 | Gear – Slow Speed (46T) | 1 |
| 13 | 00-124733-00002 | Gear – Bevel (46T) | 1 |
| 14 | 00-124744 | Gear – Clutch (29T) | 1 |
| 15 | 00-012695 | Bearing – Clutch Gear | 1 |
| 16 | 00-012430-00059 | Key – Clutch Sleeve | 2 |
| 17 | 00-070035-00001 | Sleeve – Clutch | 1 |
| 18 | 00-012695 | Bearing – Clutch Gear | 1 |
| 19 | 00-124743 | Gear – Lower Clutch (38T) | 1 |
| 20 | 00-012723 | Spacer – Lower | 1 |
| 21 | BB-020-06 | Ball Bearing – N.D. #7504 | 1 |
| 22 | 00-012430-00017 | Key | 1 |
| 23 | 00-124734 | Shaft – Planetary | 1 |
| 24 | 00-437342 | Spacer – Bearing | 1 |
| 25 | 00-114695 | Seal – Oil | 1 |
| 26 | 00-124946 | Washer – Fiber | 1 |
| 27 | WS-030-83 | Washer – Retaining (STL) | 1 |
| 28 | 00-010928-00002 | Nut – Special | 1 |
| 29 | 00-024715-00003 | Acorn Nut 1/2-20 | 1 |
| 30 | 00-012710 | Nut – Retaining | 2 |
| 31 | WS-006-36 | Washer – Retaining | 1 |
| 32 | BB-005-02 | Ball Bearing – N.D. #7500 | 1 |
| 33 | 00-012744 | Spacer – Upper | 1 |
| 34 | 00-291236 | Shaft – Transmission (15T) | 1 |
| 35 | 00-124736 | Gear (32T) | 1 |
| 36 | 00-435297 | Key | 1 |
| 37 | 00-012697 | Spacer – Lower | 1 |
| 38 | 00-435297 | Key | 1 |
| 39 | 00-124760 | Gear (23T) | 1 |
| 40 | RR-004-18 | Retaining Ring | 1 |
| 41 | BB-005-01 | Ball Bearing – N.D.#3200 | 1 |
| 42 | SL-002-08 | Spring – Preloading N.D. #S-10-B | 1 |
| 43 | 00-012710 | Nut – Retaining | 1 |
| 44 | WS-006-36 | Washer – Retaining | 1 |
| 45 | BB-005-02 | Ball Bearing – N.D. #7500 | 1 |
| 46 | 00-124745 | Washer | 1 |
| 47 | 00-124765-00001 | Spacer – Gear | 1 |
| 48 | 00-124748 | Gear (15T) | 1 |
| 49 | 00-012430-00004 | Key | 1 |
| 50 | 00-124751-00003 | Worm Wheel & Bushing Assy. (60 Hz.) | 1 |
| 51 | 00-124749-00002 | Worm Wheel & Bushing Assy. (50 Hz.) | 1 |
| 52 | 00-291128 | Shaft – Worm Wheel | 1 |
| 53 | BB-005-01 | Ball Bearing – N.D. #3200 | 1 |
| 54 | SL-002-08 | Spring – Preloading N.D. #S-10-B | 1 |
| | 00-292799-00002 | Planetary Shaft Assy. (Incls. Items 7, 8, 9, 12 thru 20, & 23) | 1 |
| | 00-292800 | Transmission Shaft Assy. (Incls. Items 33 thru 40) | 1 |
| | 00-292798-00001 | Worm Wheel Shaft Assy. (60 Hz.) (Incls. Items 46 thru 50, & 52) | 1 |
| | 00-292798-00002 | Worm Wheel Shaft Assy. (50 Hz.) (Incls. Items 46 thru 49, 51, & 52) | 1 |



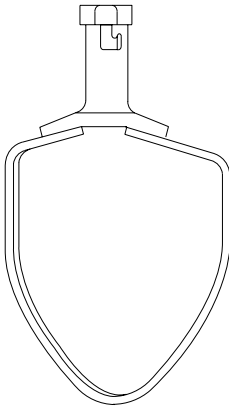
1-2



3



4



5

PL-55564

AGITATORS

| ILLUS. | PART NO. | NAME OF PART | AMT. |
|--------|-----------|-----------------------------|------|
| 1 | 00-275549 | "B" Flat Beater | 1 |
| 2 | 00-275551 | "B" Flat Beater (SST) | 1 |
| 3 | 00-295166 | "C" Wing Whip | 1 |
| 4 | 00-275895 | "D" Wire Whip (SST) | 1 |
| 5 | 00-315692 | "P" Pastry Knife | 1 |